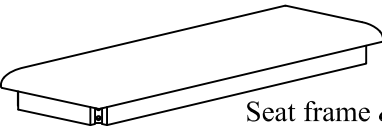







BENCH

DV21221/DV21321/DV21421/DV21521

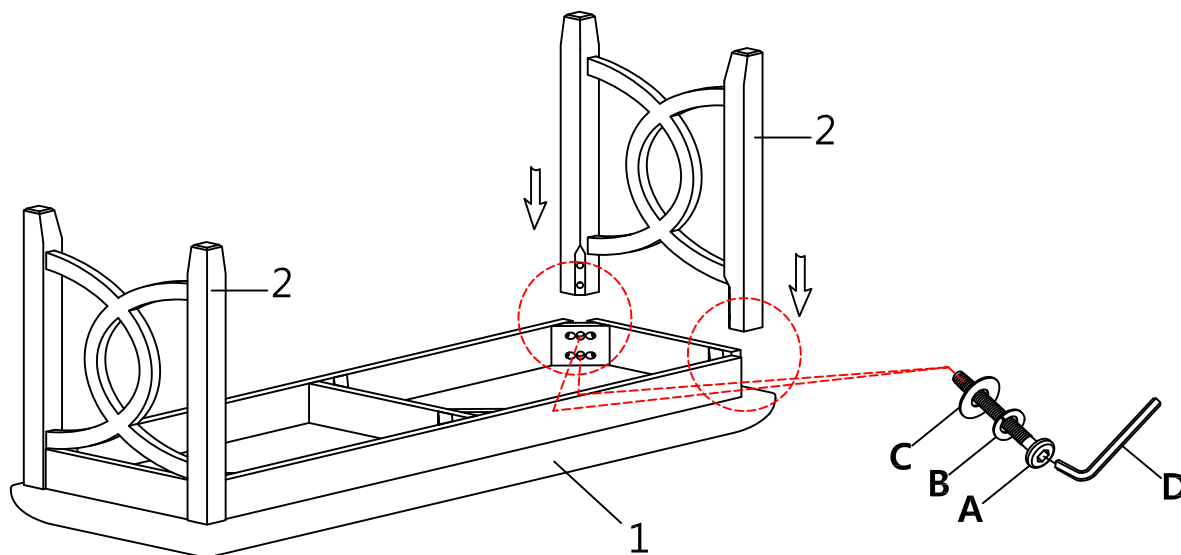
PART LIST

1		1 pc
2		2 pcs

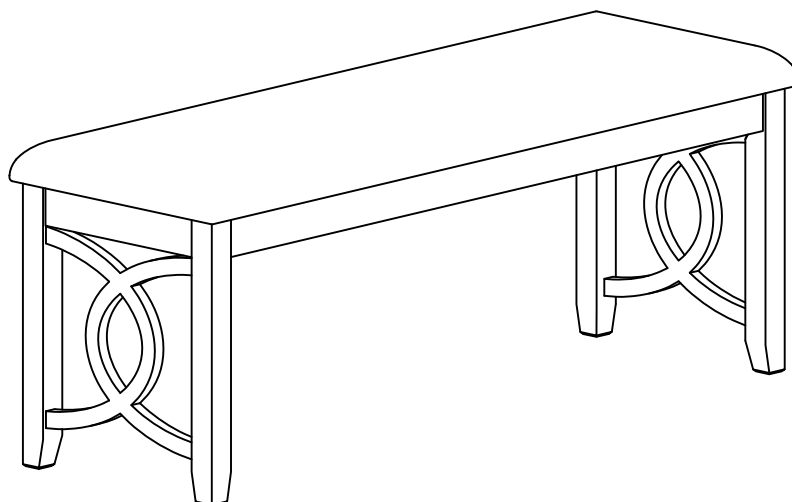
HARDWARE LIST

A		Bolt Ø1/4"x 2 3/8"	8 pcs
B		Lock washer Ø1/4"	8 pcs
C		Flat washer Ø1/4"	8 pcs
D		Allen Key	1 pc

STEP 1



STEP 2



DO NOT TIGHTEN ALL BOLTS UNTIL COMPLETELY ASSEMBLED