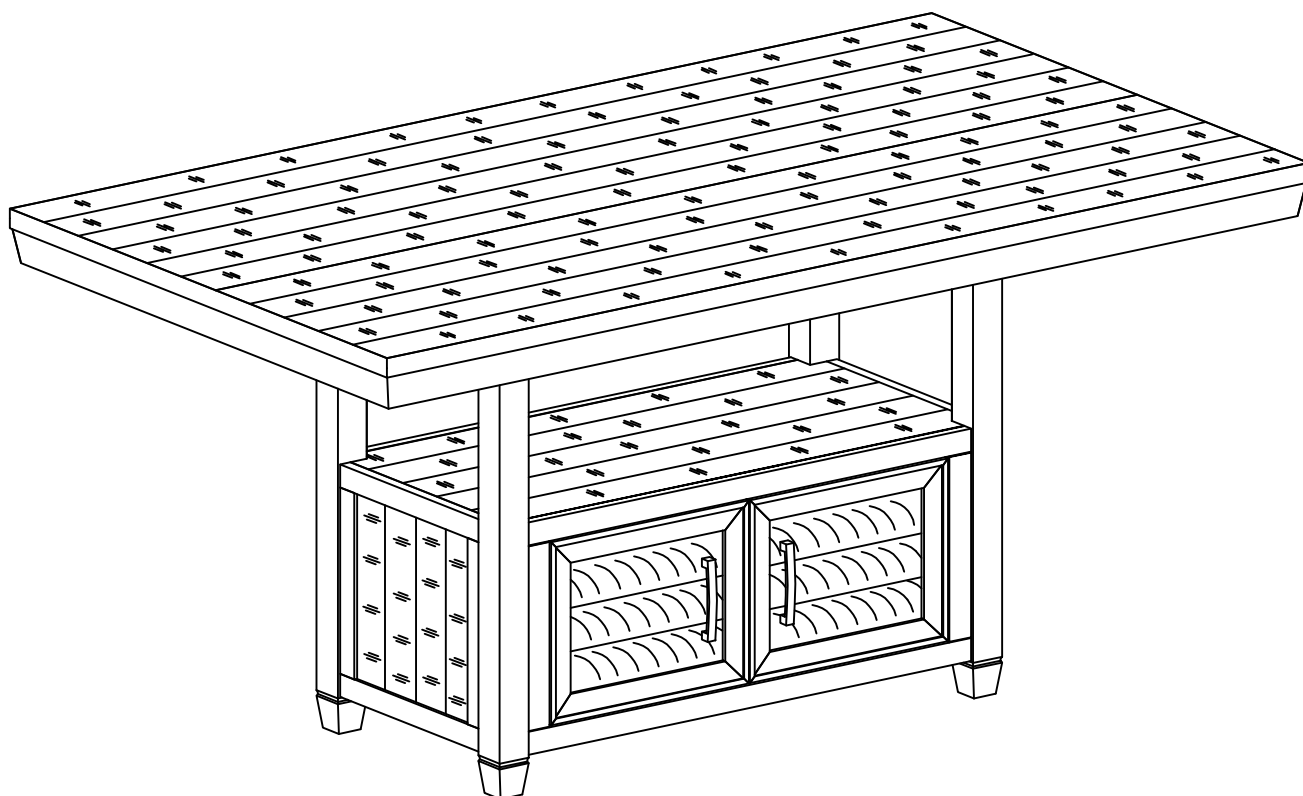




DV22087/DV22088-PT  
PUB TABLE

## ASSEMBLY INSTRUCTION



## ASSEMBLY TIPS:

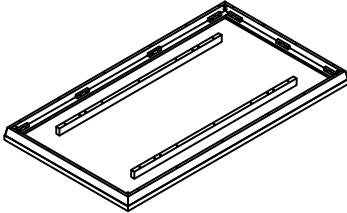
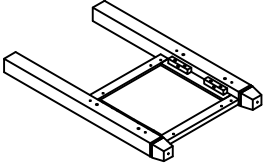
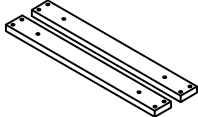
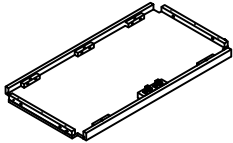
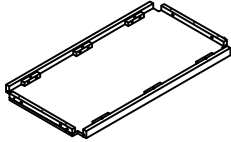
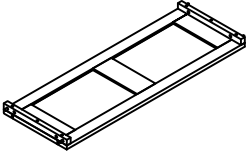
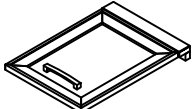
1. Remove hardware from box and sort by size
2. Please check to see that all hardware and parts are present prior to start of assembly.
3. Please follow attached instructions in the same sequence as numbered to assure fast & easy assembly.



## Warning!

1. Don't attempt to repair or modify parts that are broken or defective, Please contact the store immediately.
2. This product is for home use only and not intended for commercial establishment.

## PARTS IDENTIFICATION

A		TABLE TOP	1 PC
B		TABLE LEG (L/R)	2 PCS
C		BASE CONNECT BOARD	2 PCS
D		TOP PANEL	1 PC
E		BOTTOM PANEL	1 PC
F		BACK PANEL	1 PC
G		DOOR (L/R)	2 PCS

## ASSEMBLY TIPS:








1. Remove hardware from box and sort by size
2. Please check to see that all hardware and parts are present prior to start of assembly.
3. Please follow attached instructions in the same sequence as numbered to assure fast & easy assembly.



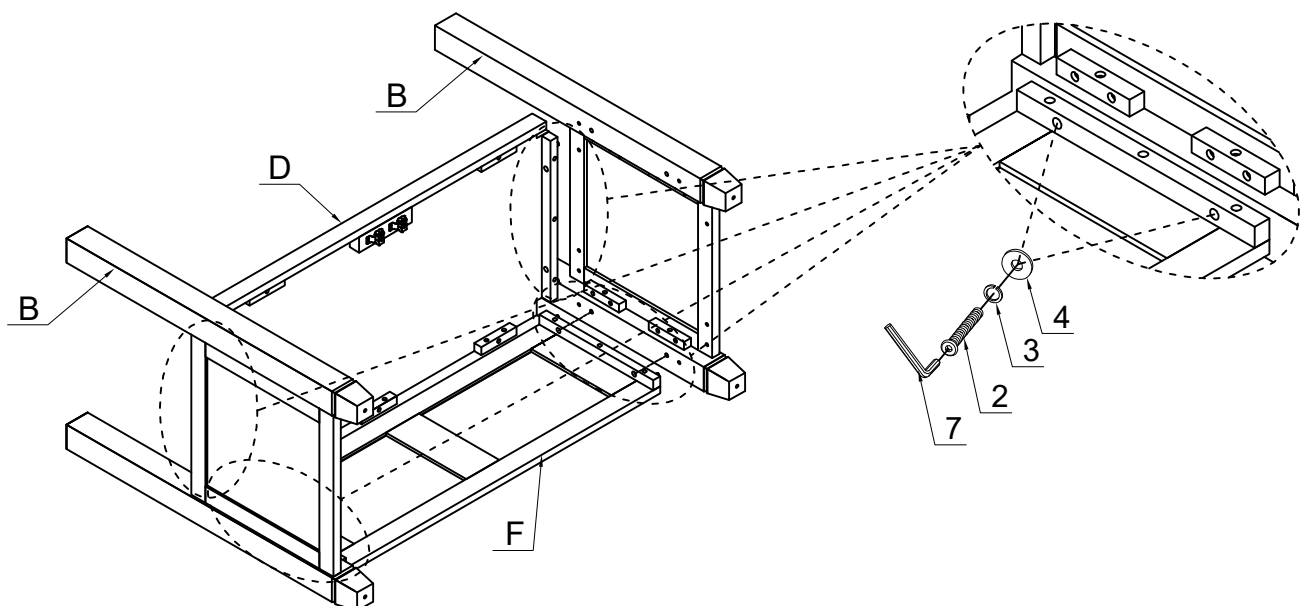
## Warning!

1. Don't attempt to repair or modify parts that are broken or defective, Please contact the store immediately.
2. This product is for home use only and not intended for commercial establishment.

## HARDWARE IDENTIFICATION

1		BOLT Ø5/16"*2"	12 PCS
2		BOLT Ø1/4"*1-3/8"	16 PCS
3		LOCK WASHER Ø1/4"	16 PCS
4		FLAT WASHER Ø1/4"*16MM	16 PCS
5		LOCK WASHER Ø5/16"	12 PCS
6		FLAT WASHER Ø5/16"*16MM	12 PCS
7		ALLEN KEY 4MM	1 PC

## STEP 1.



## ASSEMBLY TIPS:

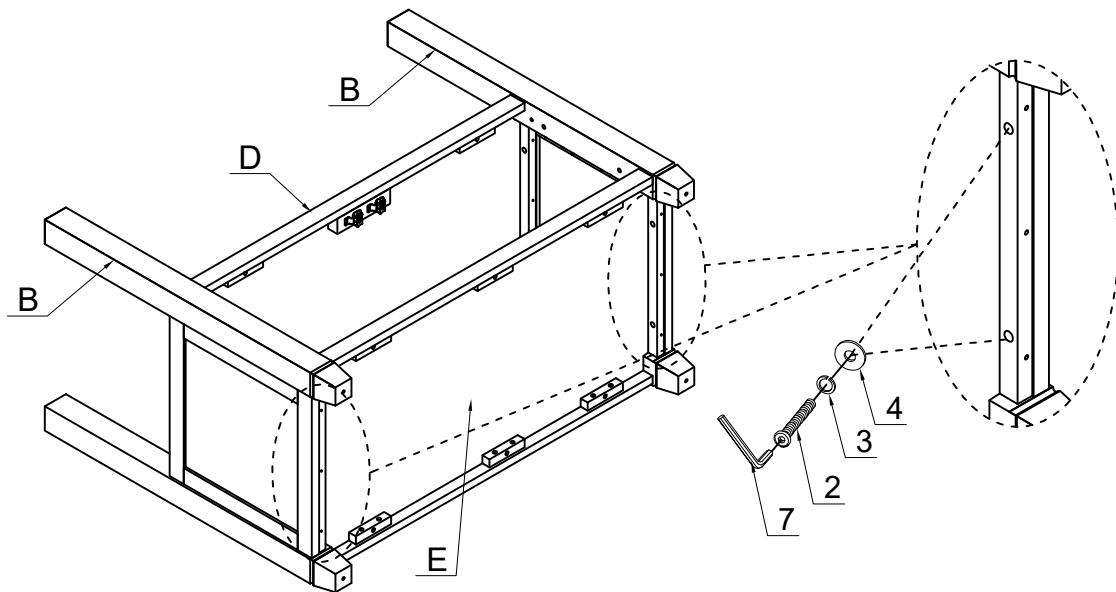
1. Remove hardware from box and sort by size
2. Please check to see that all hardware and parts are present prior to start of assembly.
3. Please follow attached instructions in the same sequence as numbered to assure fast & easy assembly.



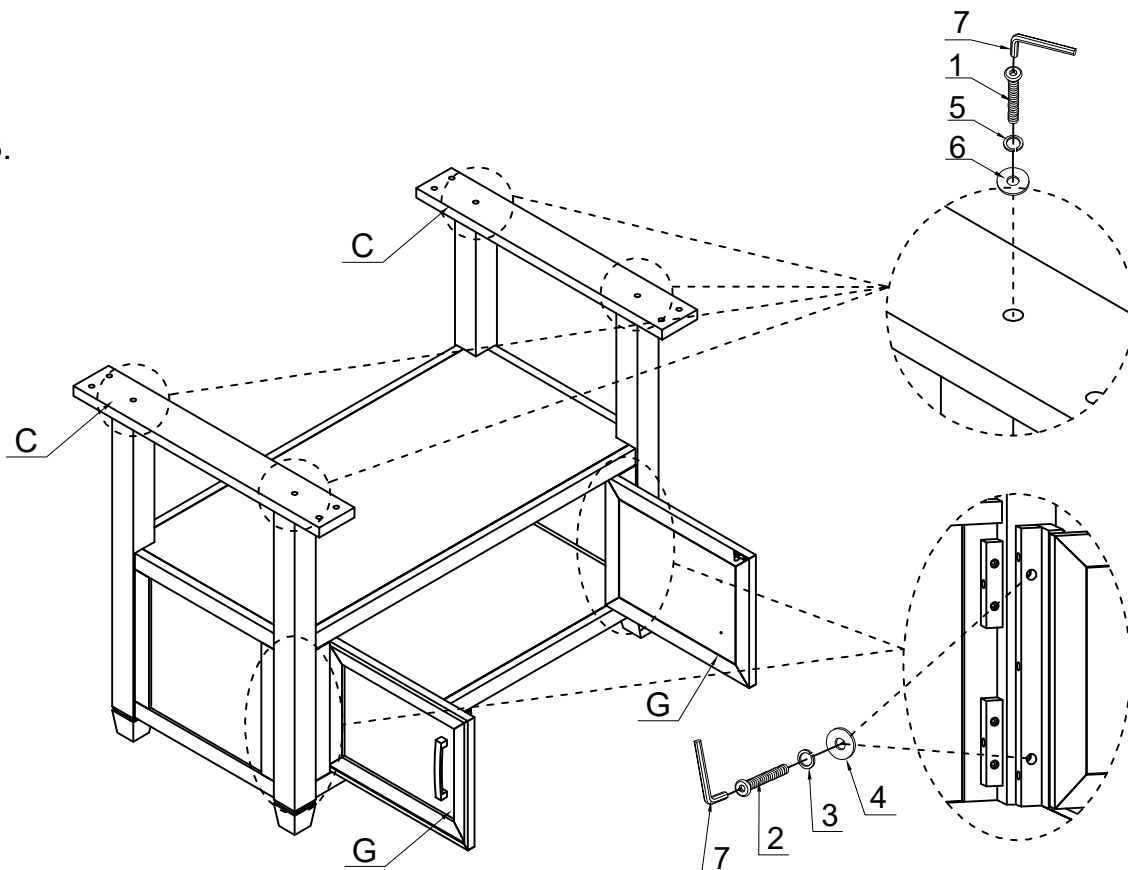
## Warning!

1. Don't attempt to repair or modify parts that are broken or defective, Please contact the store immediately.
2. This product is for home use only and not intended for commercial establishment.

## STEP 2.



## STEP 3.



## ASSEMBLY TIPS:

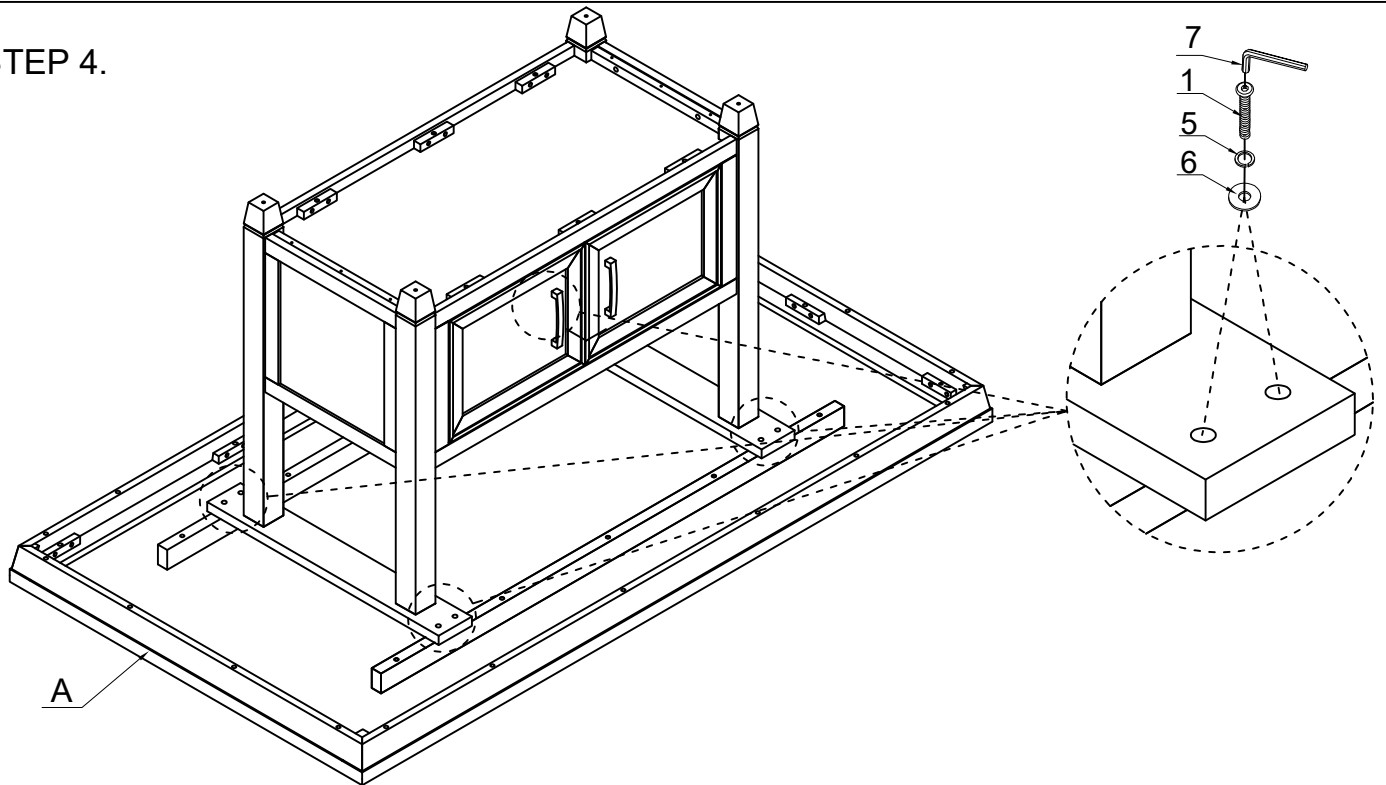
1. Remove hardware from box and sort by size
2. Please check to see that all hardware and parts are present prior to start of assembly.
3. Please follow attached instructions in the same sequence as numbered to assure fast & easy assembly.



## Warning!

1. Don't attempt to repair or modify parts that are broken or defective, Please contact the store immediately.
2. This product is for home use only and not intended for commercial establishment.

## STEP 4.



## STEP 5.

