










Mollai

COLLECTION

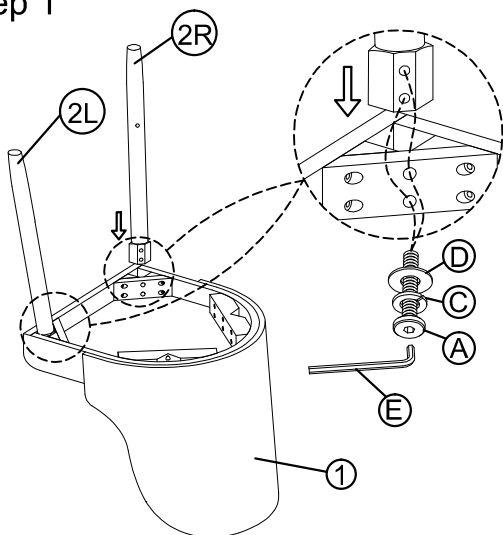
ASSEMBLY INSTRUCTIONS

DINING CHAIR DV25261-PC

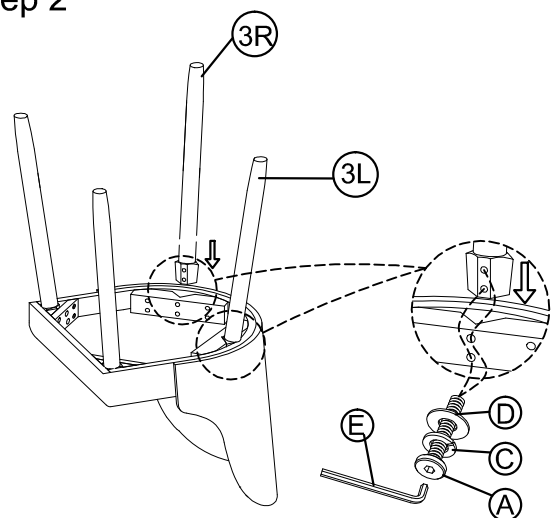
PARTS LIST			
No.	Sketch	Description	Q'ty
1		Backrest	1pc
2		Front Legs (L/R)	2pcs
3		Back Legs (L/R)	2pcs
4		Stretcher Iron	1pc

HARDWARE LIST			
No.	Drawing	Description	Q'ty
A		Ø1/4" x 50mm Allen Bolt	8 pcs
B		Ø1/4" x 30mm Allen Bolt	4 pcs
C		Ø1/4" x 11 x 1.2mm Lock washer	8 pcs
D		Ø1/4" x 19 x 2mm Flat washer	8 pcs
E		4mm Allen key	1 pc

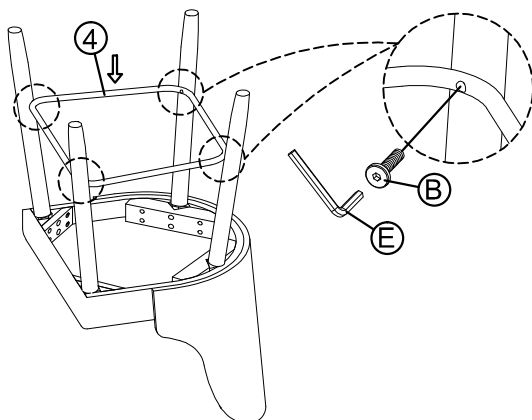
Step 1



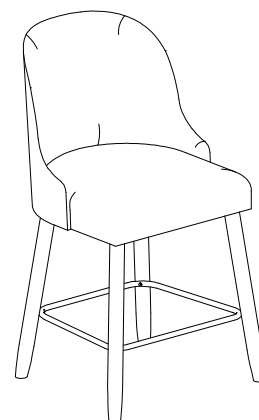
Step 2



Step 3



Step 4



DO NOT TIGHTEN ALL BOLTS UNTIL COMPLETELY ASSEMBLED
NO APRETER LOS TORNILLOS HASTA ARMAR COMPLETAMENTE