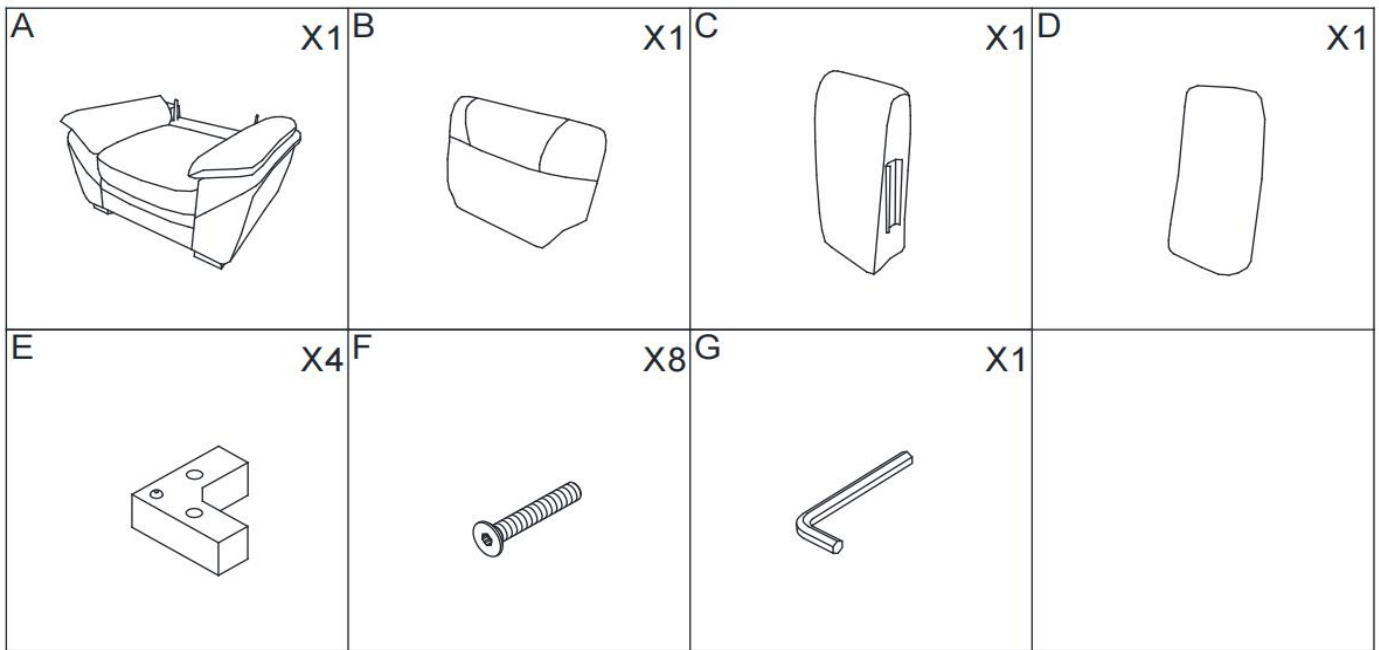
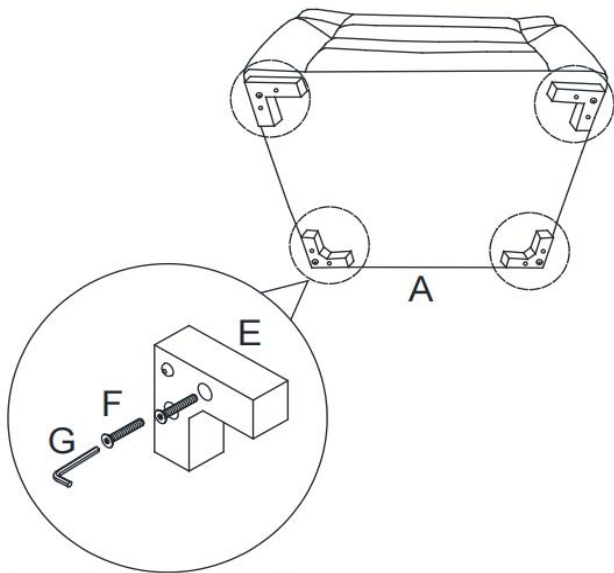


# Assembly Instructions

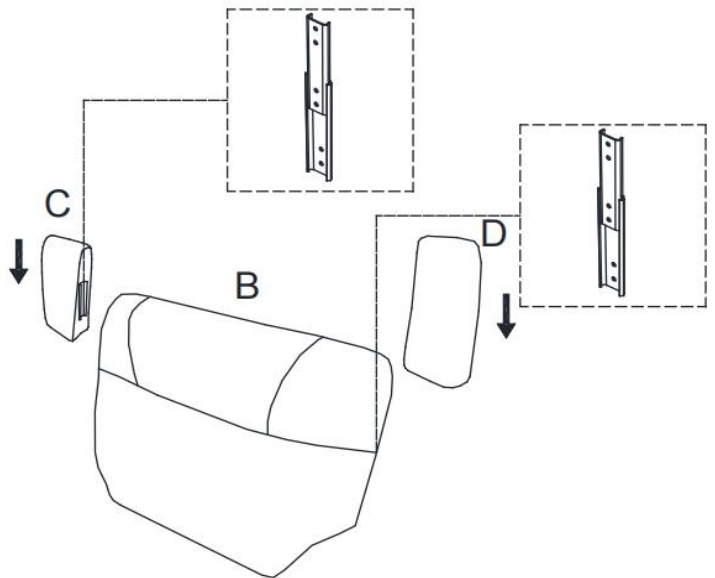
## LD26467



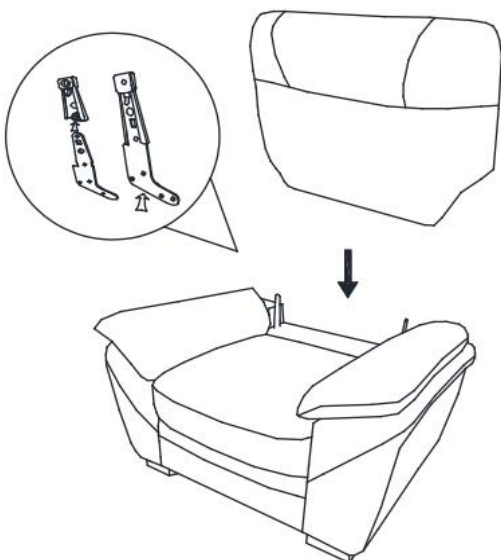
### STEP 1



### STEP 2



### STEP 3



### STEP 4

