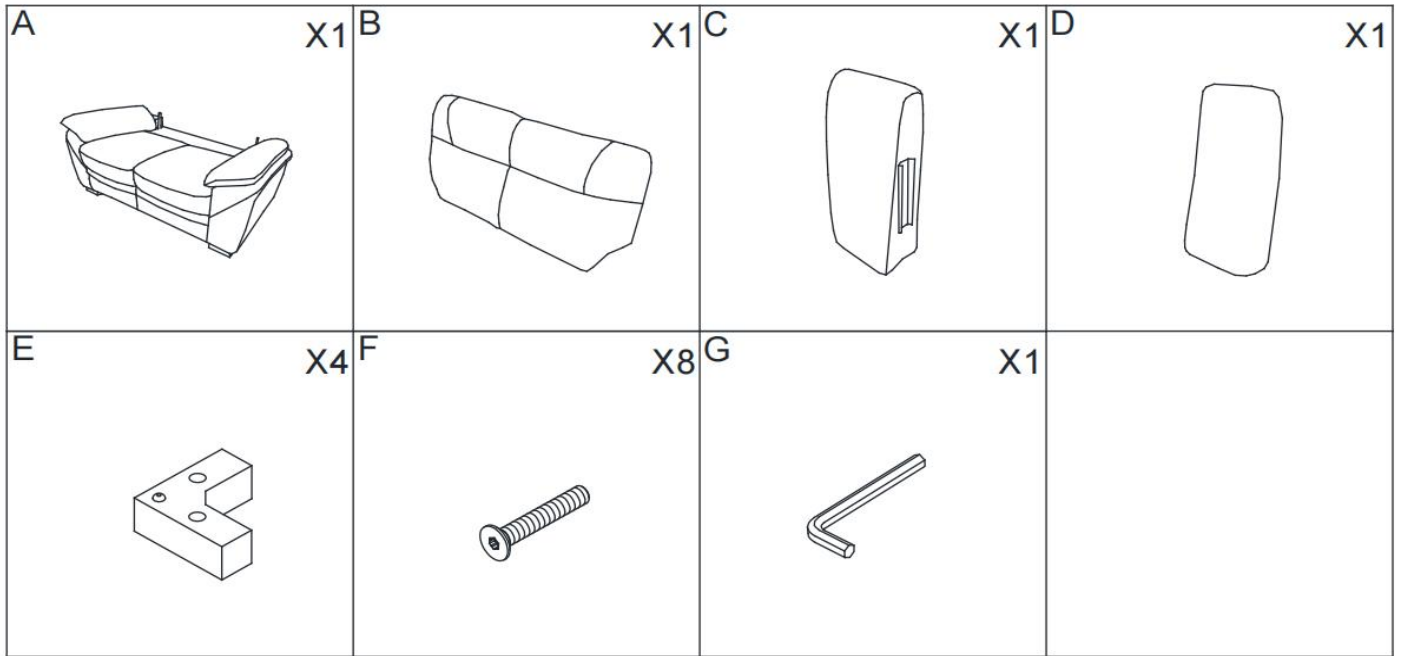
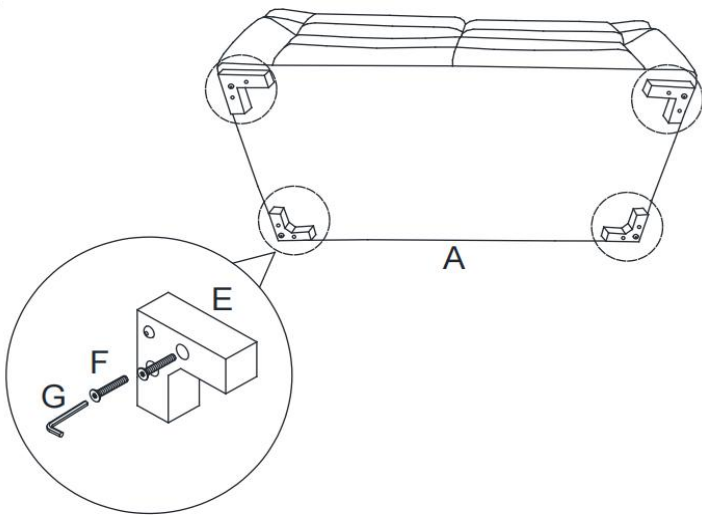


Assembly Instructions

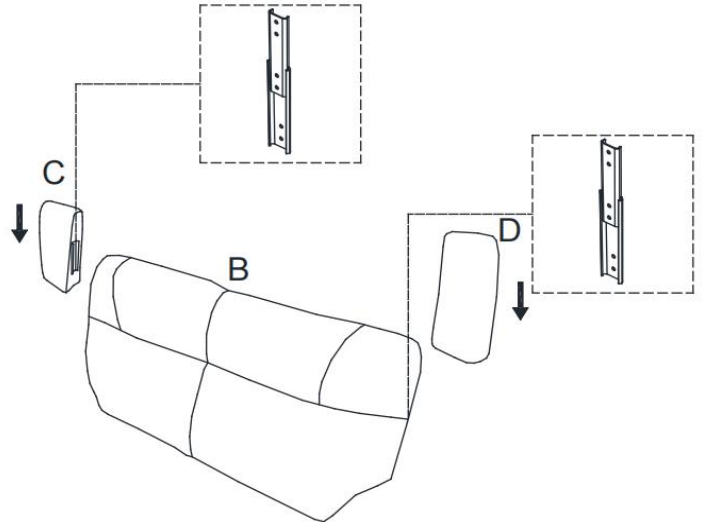
LD26467



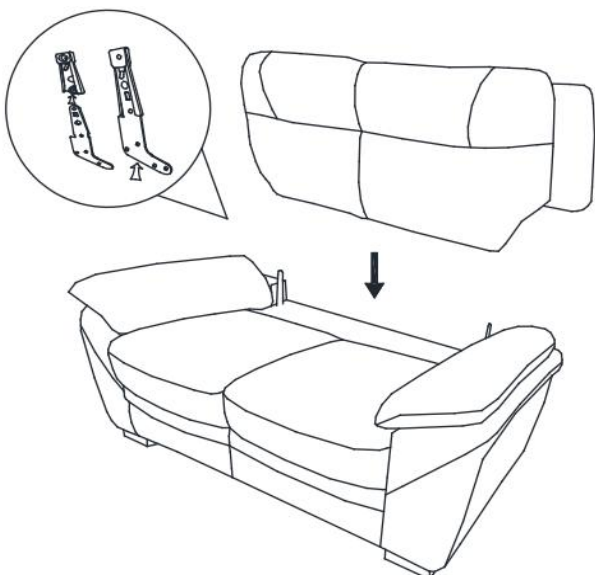
STEP 1



STEP 2



STEP 3



STEP 4

