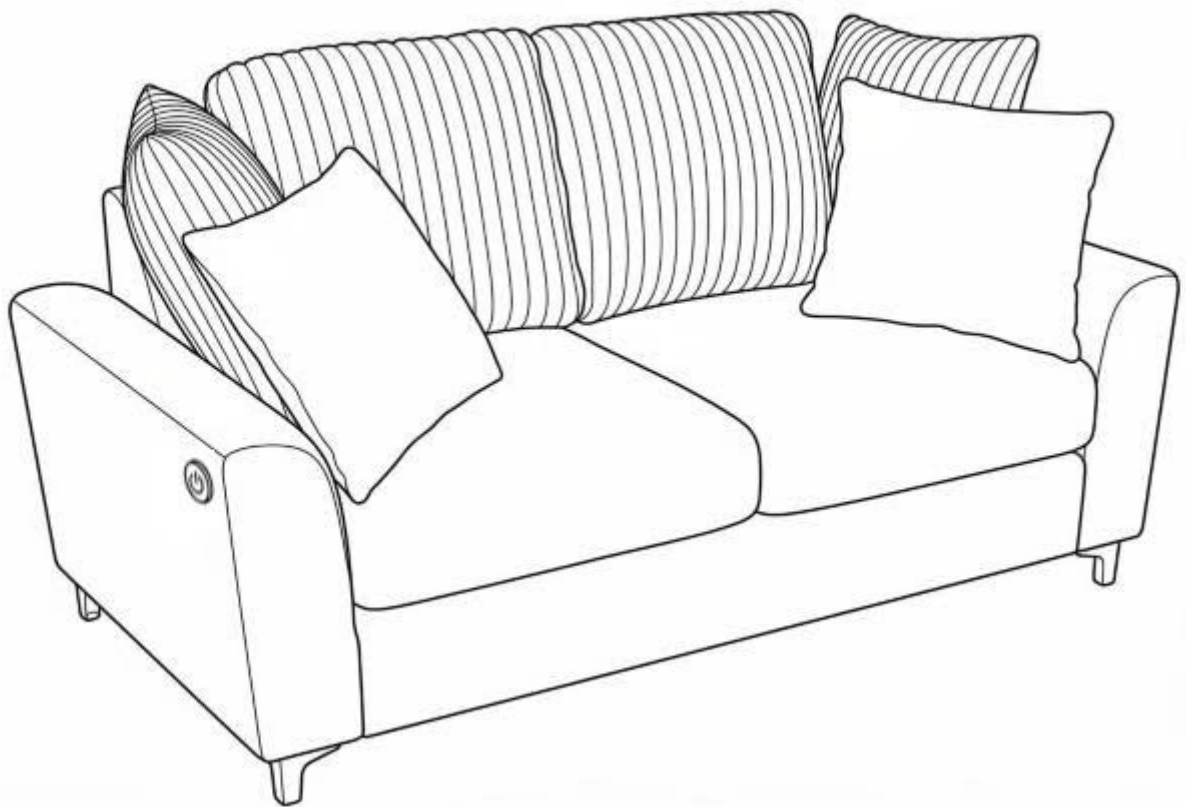




LV25621/LV25721

SECTIONAL SOFA
ASSEMBLY INSTRUCTIONS



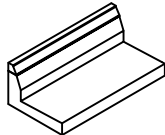

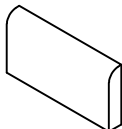

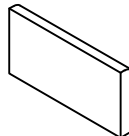

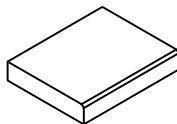



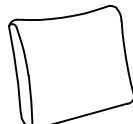



ASSEMBLY TIPS:

- 1.Remove hardware from box and sort by size.
- 2.Pleaes check to see that all hardware and parts are present prior to start of assembly.
- 3.Please follow attached instruction in the same sequence as numbered to assure fast & easy assembly.

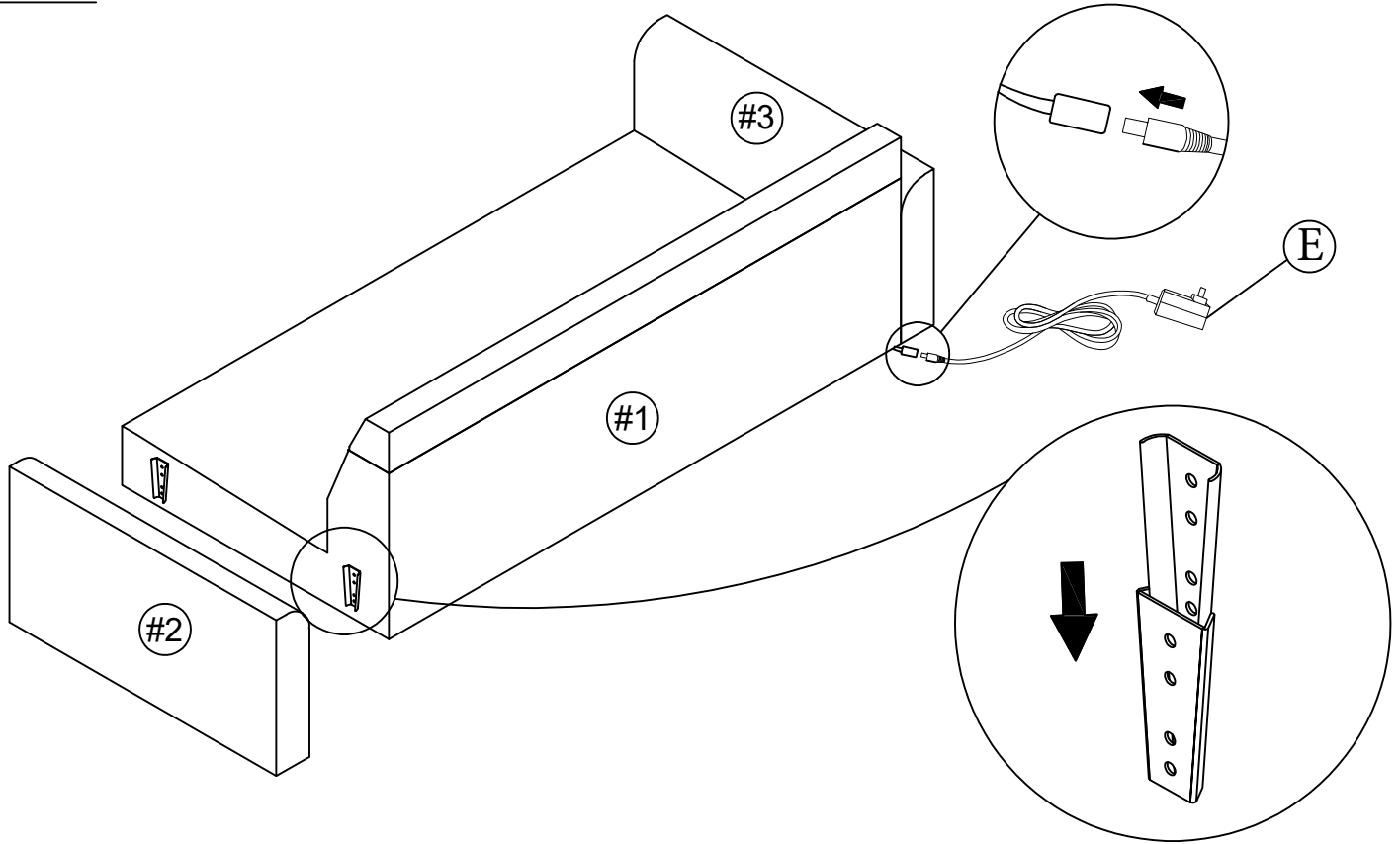
**warning:**

- 1.Don't attempt to repair or modify parts that are broken or defective. Pleaes contact the store immediatly.
- 2.This productt is for home use only and not intended for commercial establishment.

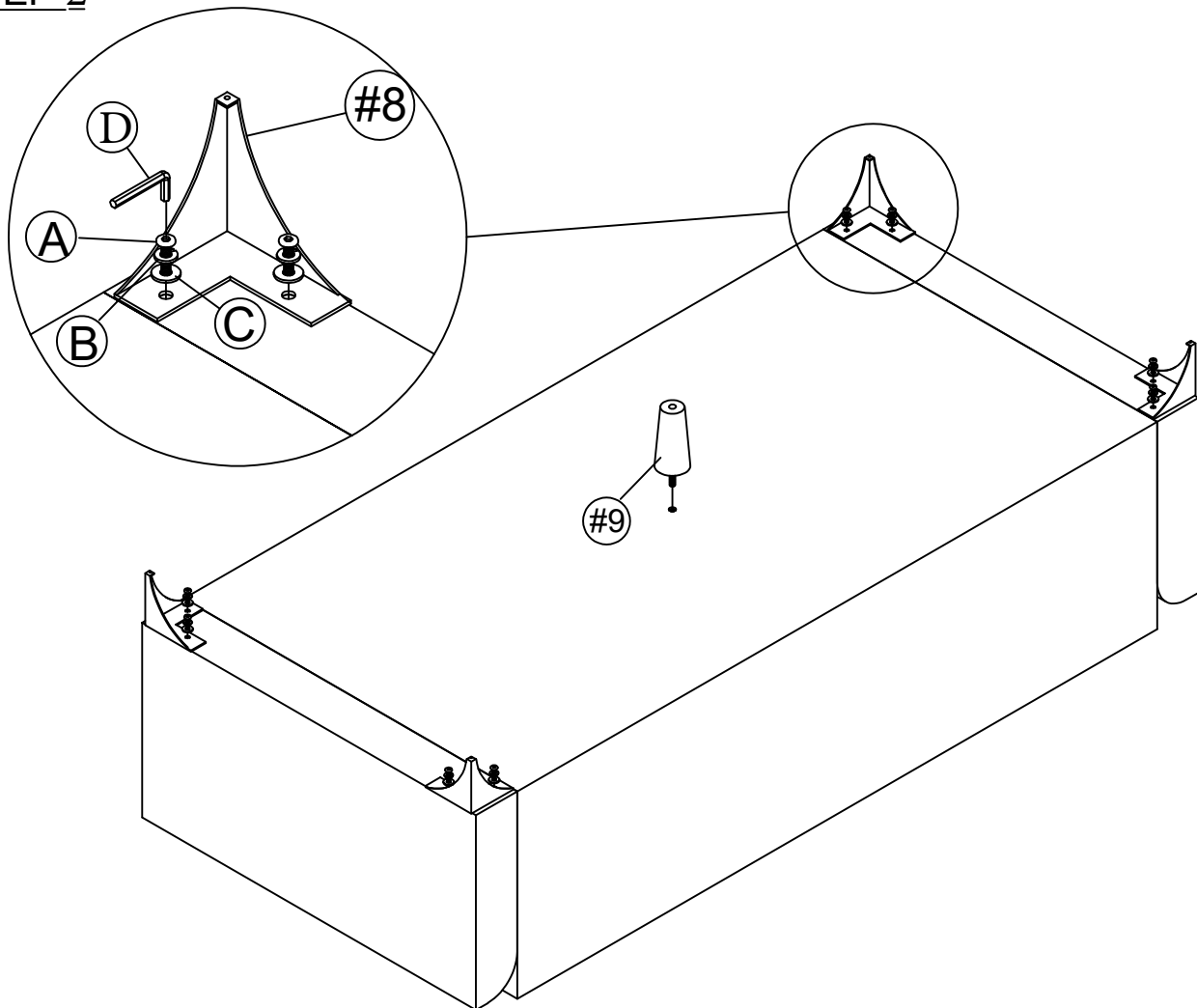
PARTS IDENTIFICATION**HARDWARE LIST**

PART	DRAWING	DESCRIPTION	QTY	PART	DRAWING	DESCRIPTION	QTY
#1		SOFA CHAIR	1PC	A		Bolt Ø 5/16"x25mm	8PCS
#2		LHF ARMREST SOFA	1PC	B		Ø5/16	8PCS
#3		RHF ARMREST SOFA	1PC	C		Ø5/16x19mm	8PCS
#4		SEAT	2PCS	D		Key 25*70mm	1PCS
#5		BIG PILLOW	2PCS	E		Adapter Of Led	1PC
#6		BIG PILLOW 21"	2PCS				
#7		SMALL PILLOW	2PCS				
#8		LEG	4PCS				
#9		LEG	1PC				

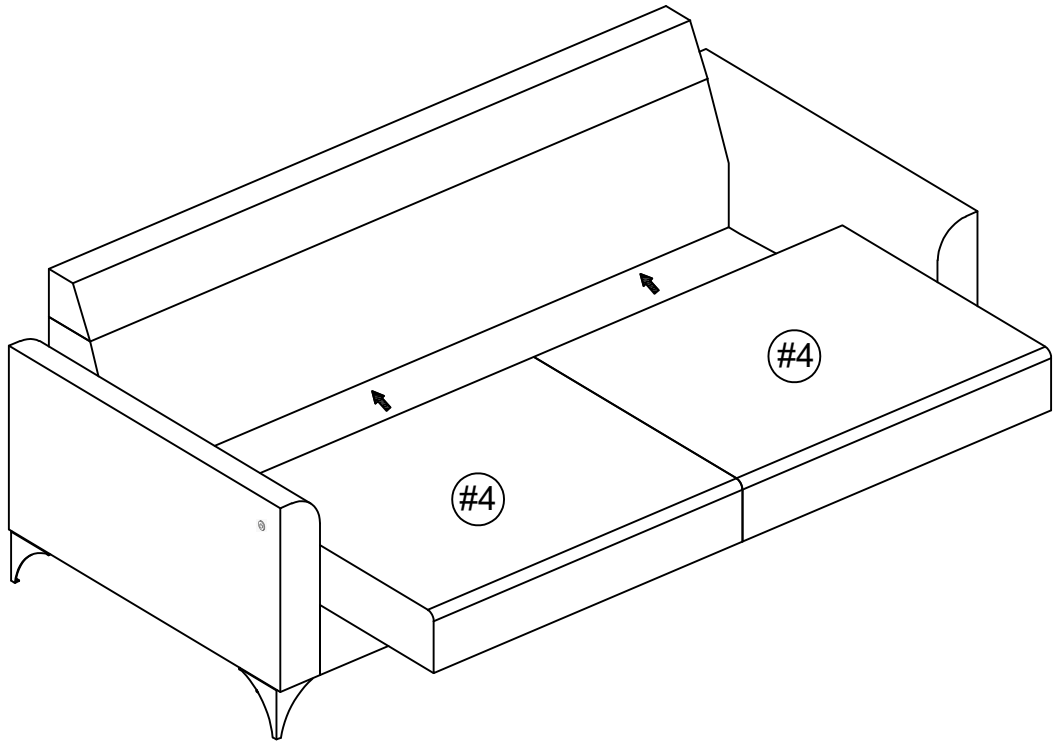
STEP 1



STEP 2



STEP 3



STEP 4

