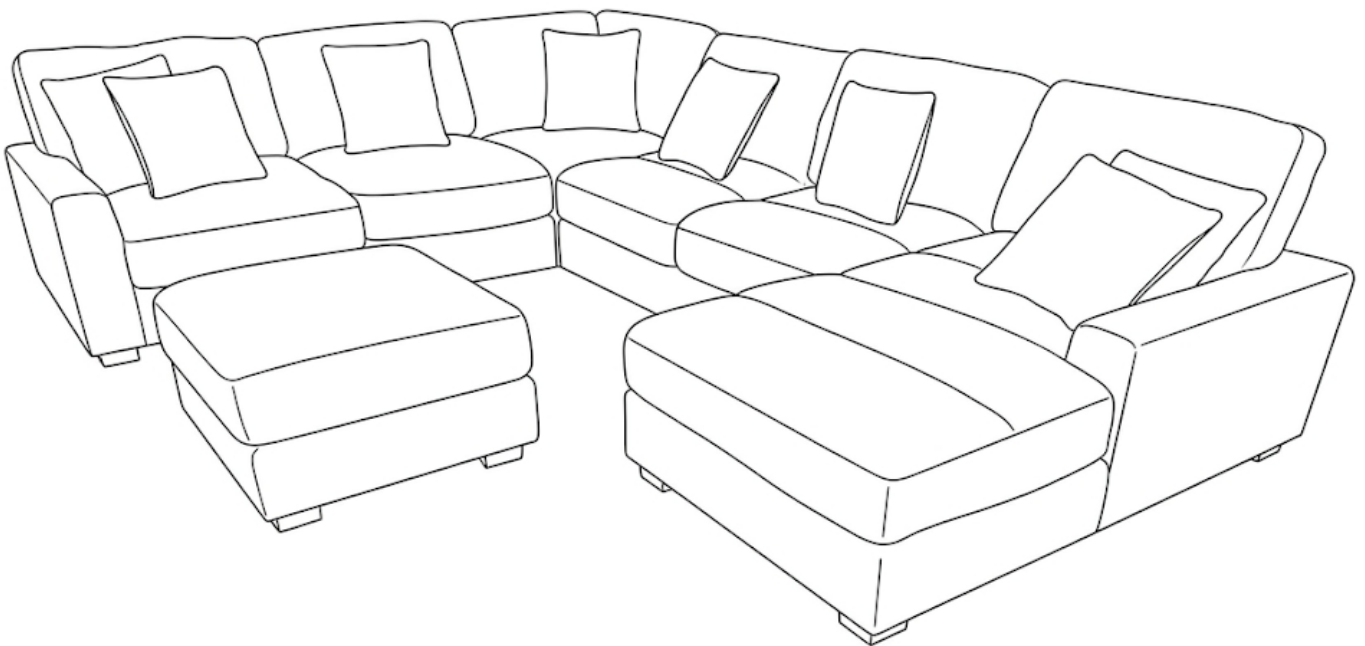




Sara
COLLECTION

LV25617, LV25717, LV25817
Sectional sofa

ASSEMBLY INSTRUCTIONS



ASSEMBLY TIPS:

1. Remove hardware from box and sort by size.
2. Please check to see that all hardware and parts are present prior to start of assembly.
3. Please follow attached instruction in the same sequence as numbered to assure fast & easy assembly.



warning:

1. Don't attempt to repair or modify parts that are broken or defective. Please contact the store immediately.
2. This product is for home use only and not intended for commercial establishment.

PARTS IDENTIFICATION

PART	DRAWING	DESCRIPTION	QTY	PART	DRAWING	DESCRIPTION	QTY
#1		LHF ARMCHAIR	1PC	#9		BACKREST ARMLESS CHAIR	1PC
#2		SEAT LHF ARMCHAIR	1PC	#10		BACKREST ARMLESS CHAIR	1PC
#3		BACKREST LHF ARMCHAIR	1PC	#11		RHF CHAISE	1PC
#4		ARMLESS	3PCS	#12		SEAT RHF CHAISE	1PC
#5		SEAT ARMLESS	3PCS	#13		BACKREST RHF CHAISE	1PC
#6		BACKREST ARMLESS CHAIR	3PCS	#14		OTTOMAN	1PCS
#7		WEDGE	1PC	#15		PILLOW	8PCS
#8		SEAT WEDGE	1PC	#16		HEADREST	7PCS

ASSEMBLY TIPS:






1. Remove hardware from box and sort by size.
2. Please check to see that all hardware and parts are present prior to start of assembly.
3. Please follow attached instruction in the same sequence as numbered to assure fast & easy assembly.

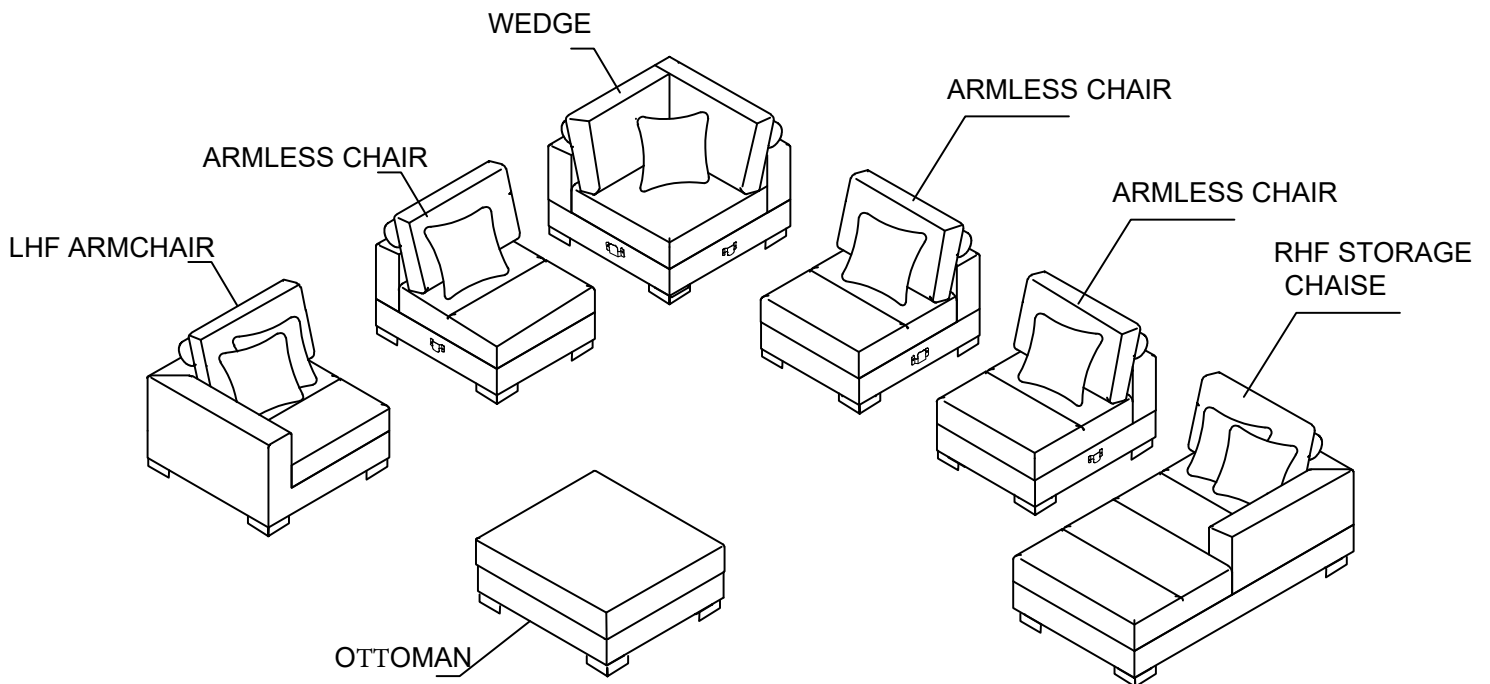


warning:

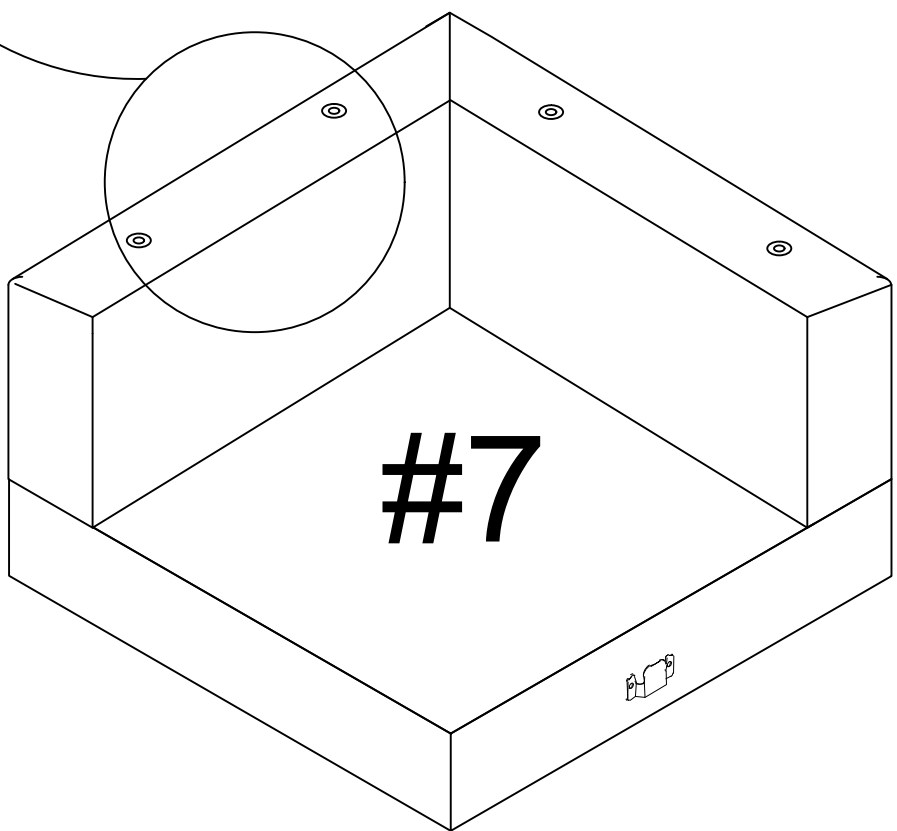
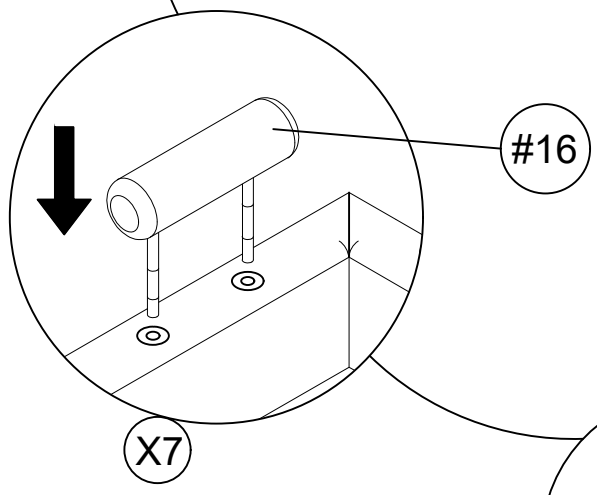
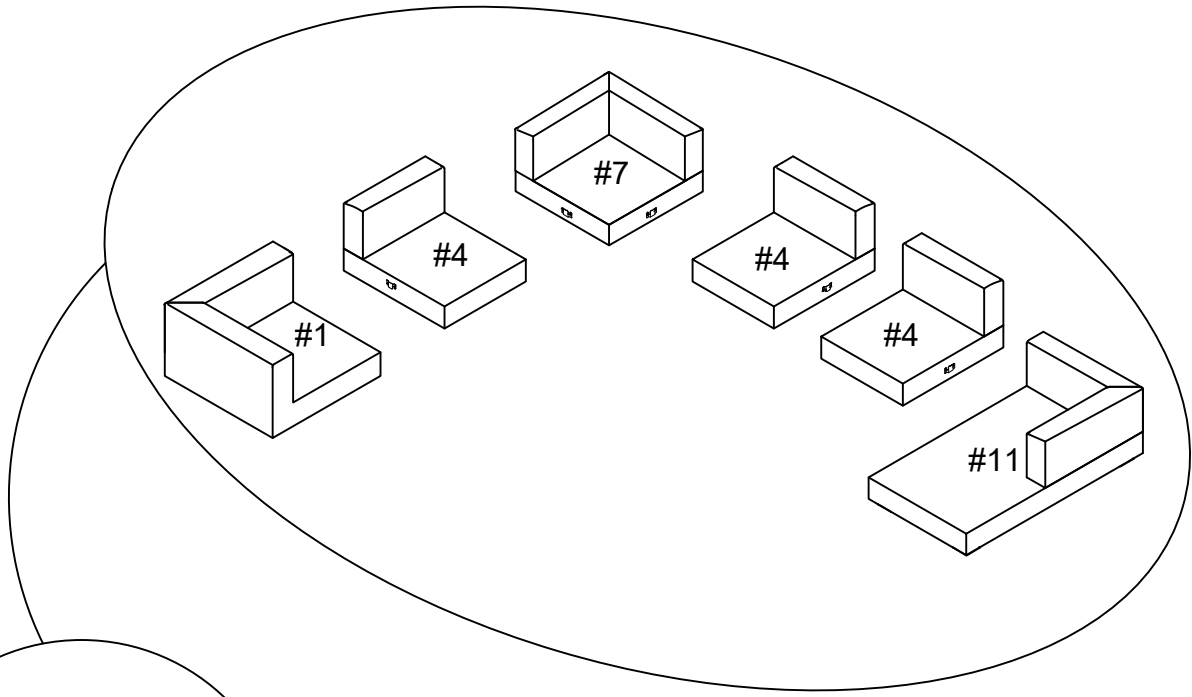
1. Don't attempt to repair or modify parts that are broken or defective. Please contact the store immediately.
2. This product is for home use only and not intended for commercial establishment.

HARDWARE LIST

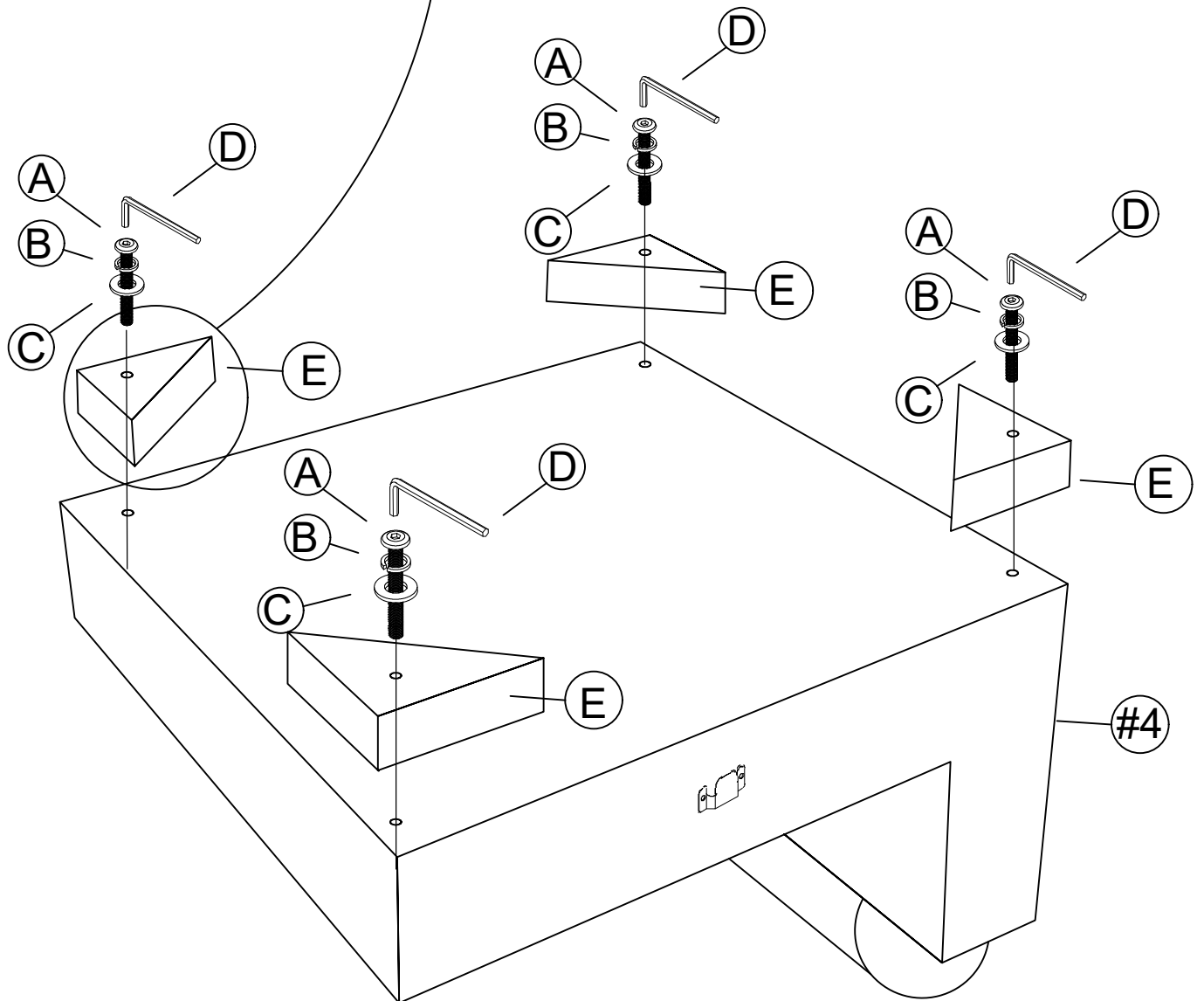
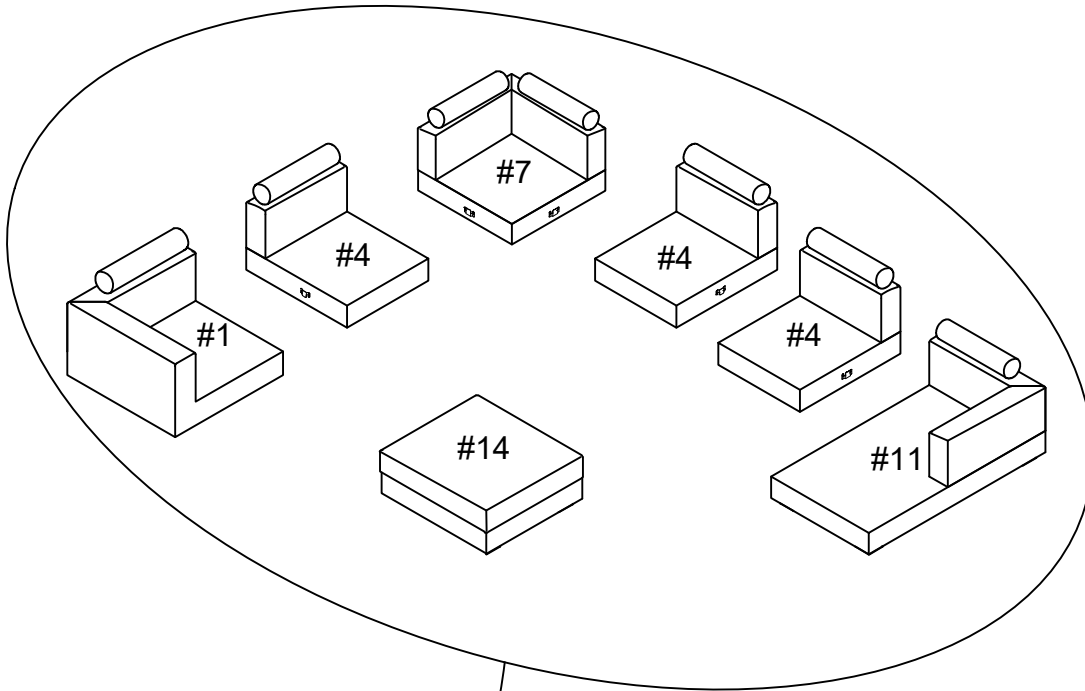
PART	DRAWING	DESCRIPTION	QTY	PART	DRAWING	DESCRIPTION	QTY
A		Bolt Ø 5/16"x70mm	28PCS	D		Key 25*70mm	1PC
B		Ø5/16 mm	28PCS	E		LEG	28PCS
C		Ø5/16x19mm	28PCS				



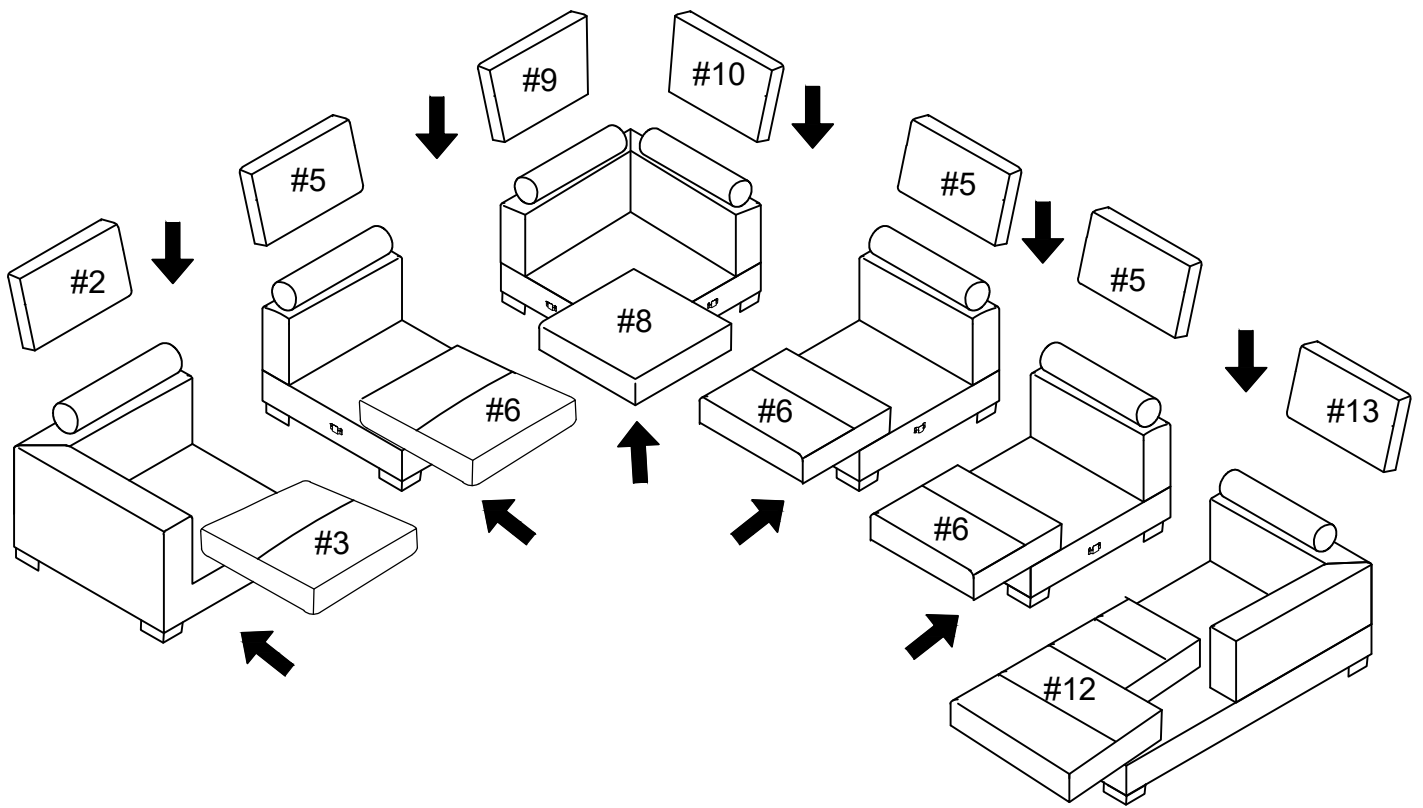
Step 1



Step 1



Step 2



Step 3

