

# ASSEMBLY INSTRUCTION


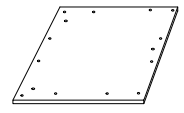
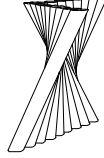
MODEL: DM25636-DT

Before you begin, please follow Assembly Instruction carefully. Then follow them step by step.

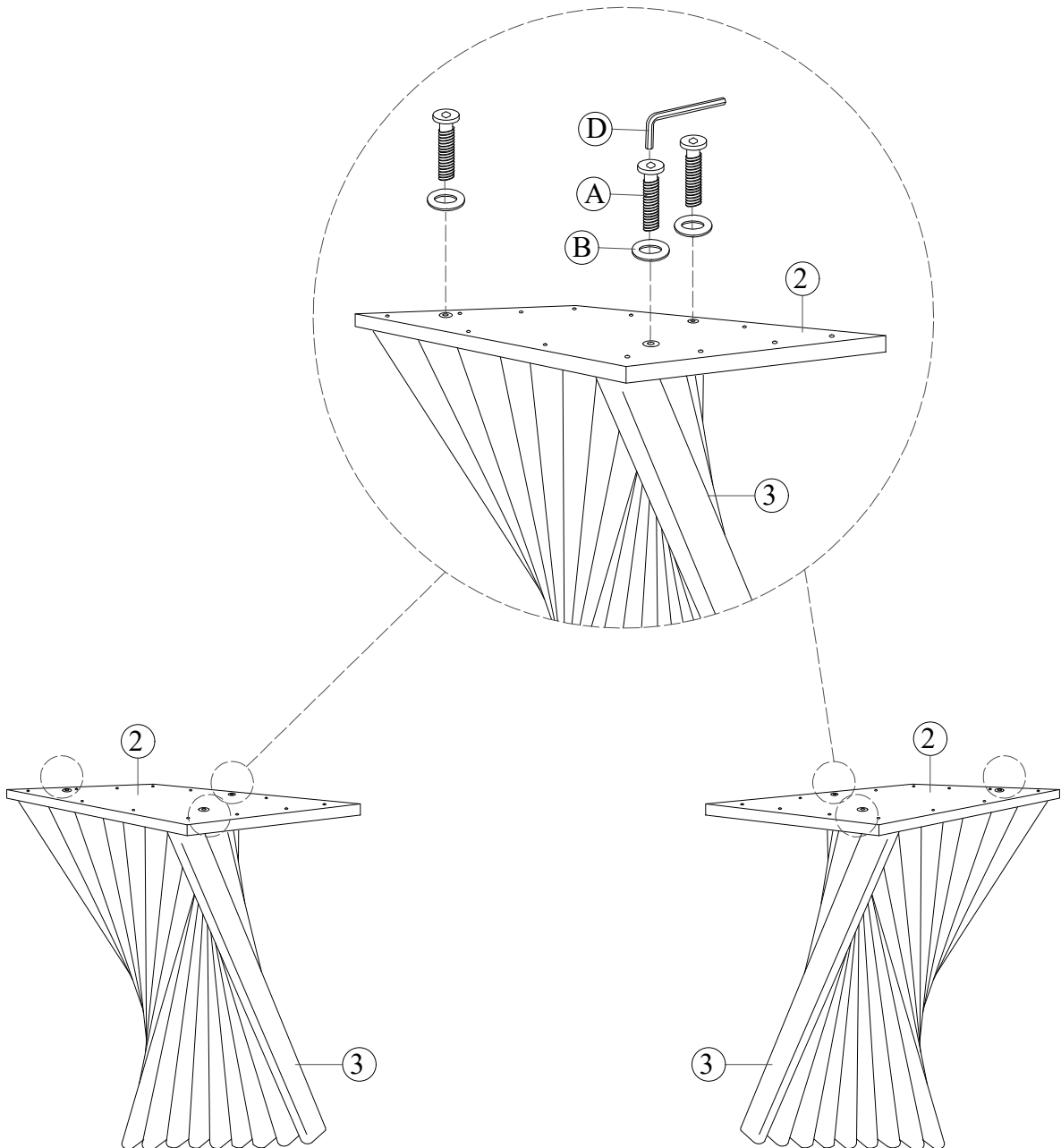
## HARDWARE LIST

A	JCBC M6 x 35mm		6pcs
B	Flat Washer M6		6pcs
C	CSK Screw M4 x 32mm		24pcs
D	Allen Key M4		1pc

## PART LIST

1	 Table Top	1pc	2	 Mounting Support	2pcs
3	 Leg	2pcs			

## STEP 1

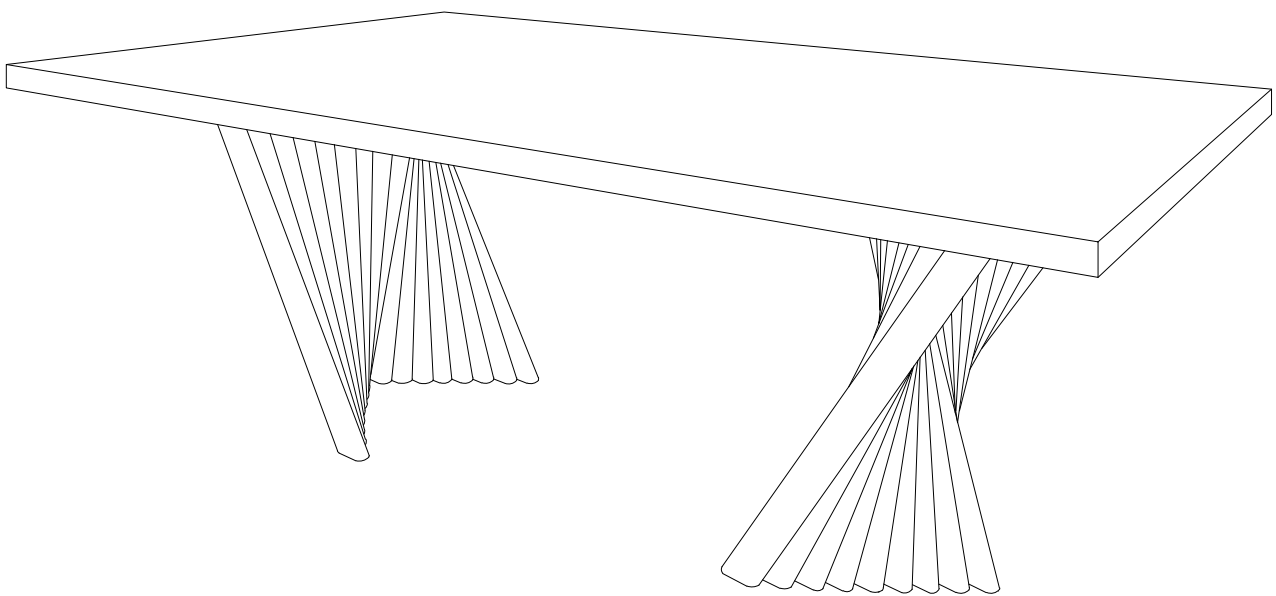
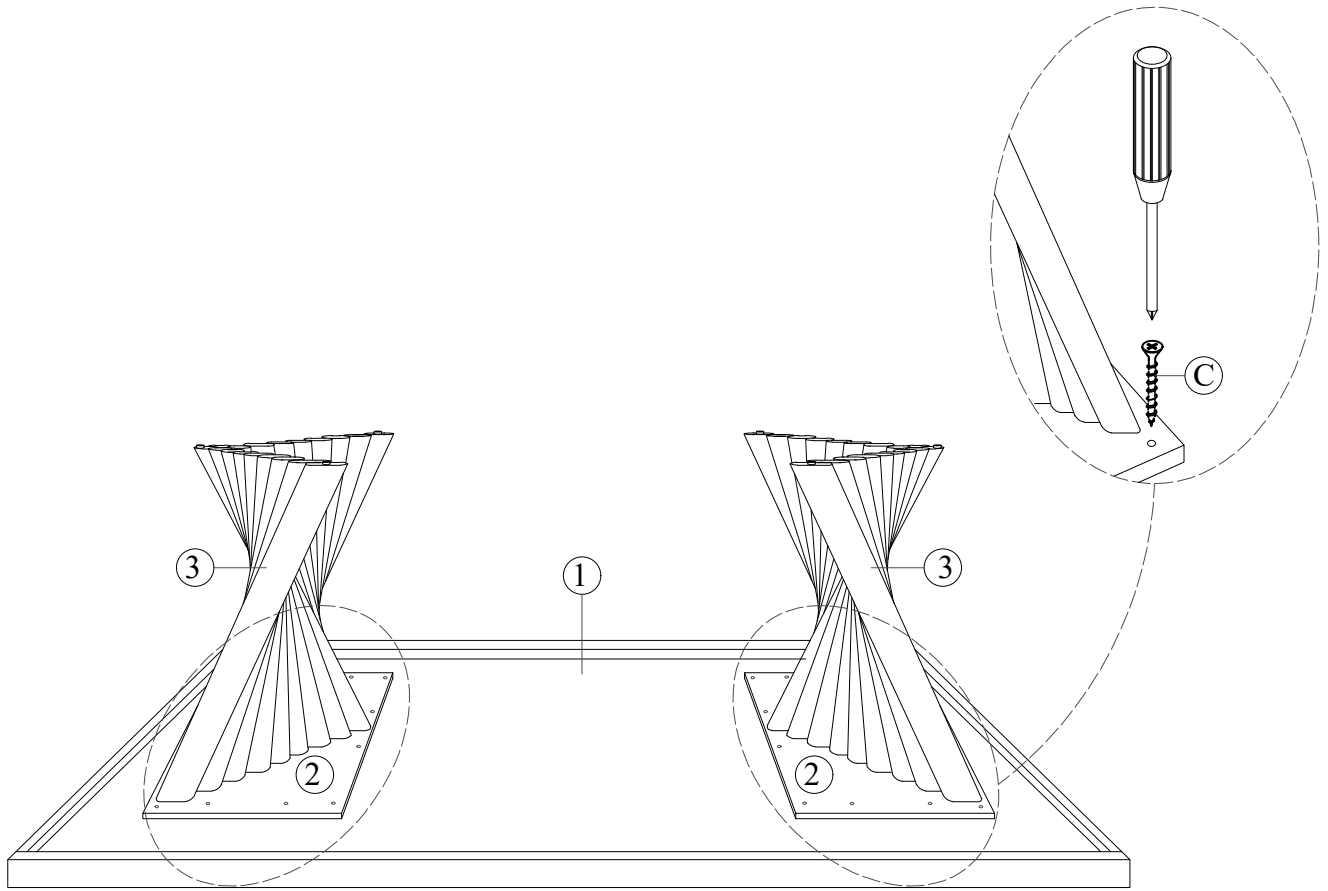


# ASSEMBLY INSTRUCTION

MODEL: DM25636-DT

Before you begin, please follow Assembly Instruction carefully. Then follow them step by step.

## STEP 2



Completed Assembly