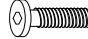
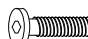



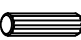


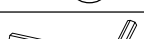


ASSEMBLY INSTRUCTION

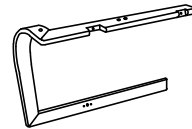
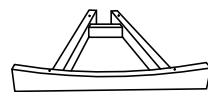
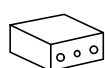


MODEL: DM25636-SC

Before you begin, please follow Assembly Instruction carefully. Then follow them step by step.

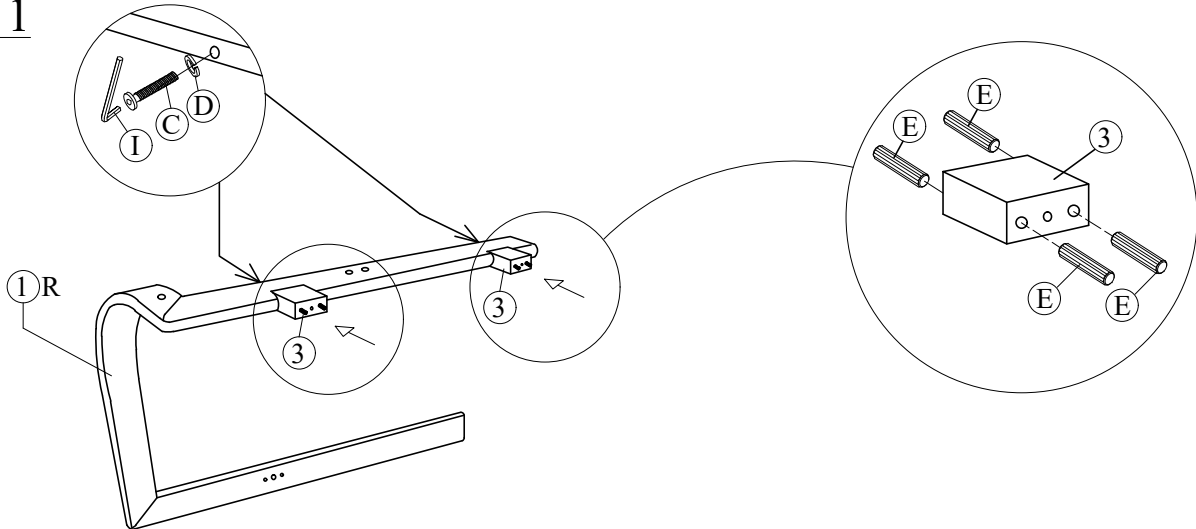
HARDWARE LIST (2pcs)

A	JCBC M6 x 35mm		4pcs
B	JCBC M6 x 40mm		16pcs
C	JCBC M6 x 45mm		8pcs
D	Spring Washer M8		28pcs
E	Wood Dowel Ø8 x 30mm		16pcs
F	Wood Dowel Ø10 x 30mm		8pcs
G	CSK M4 x 32mm		8pcs
H	Wood Button		20pcs
I	Allen Key M4 (Long)		1pc

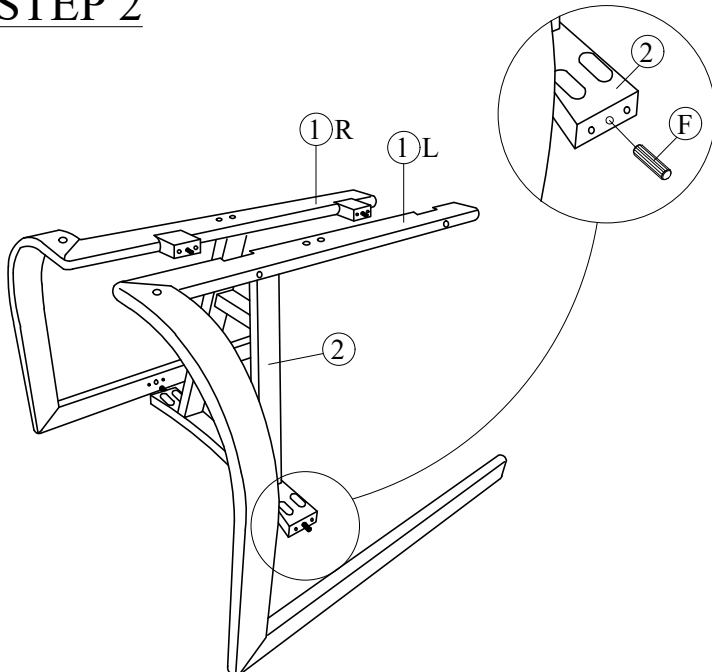
PART LIST (2pcs)

1	 Leg L&R	4pcs	2	 Seat Frame	2pcs
3	 Block Connector	4pcs	4	 Cushion Seat	2pcs
5	 Cushion Back	2pcs			

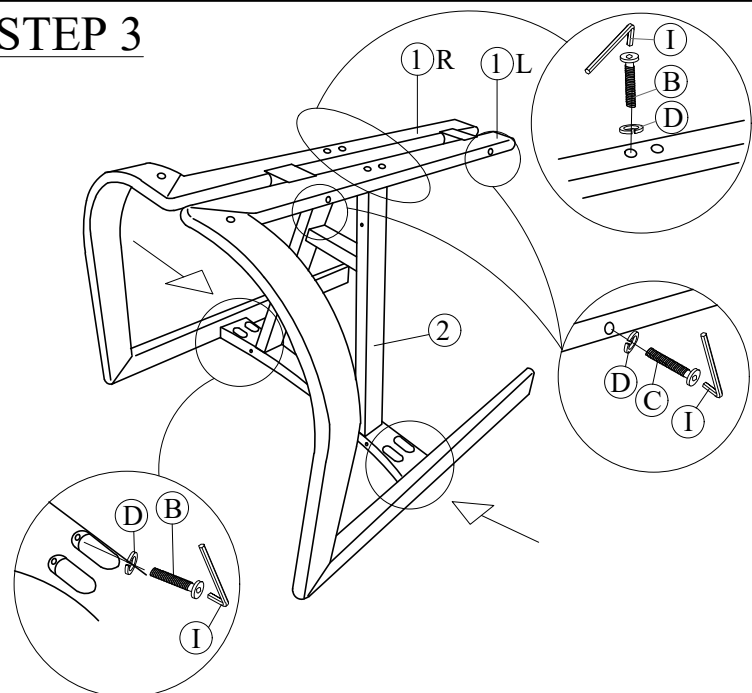
STEP 1



STEP 2



STEP 3

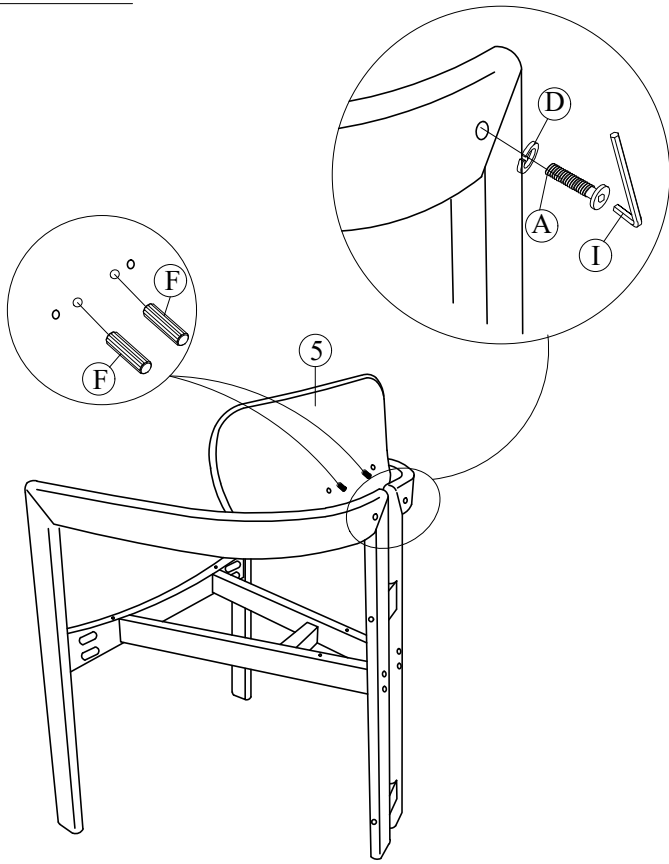


ASSEMBLY INSTRUCTION

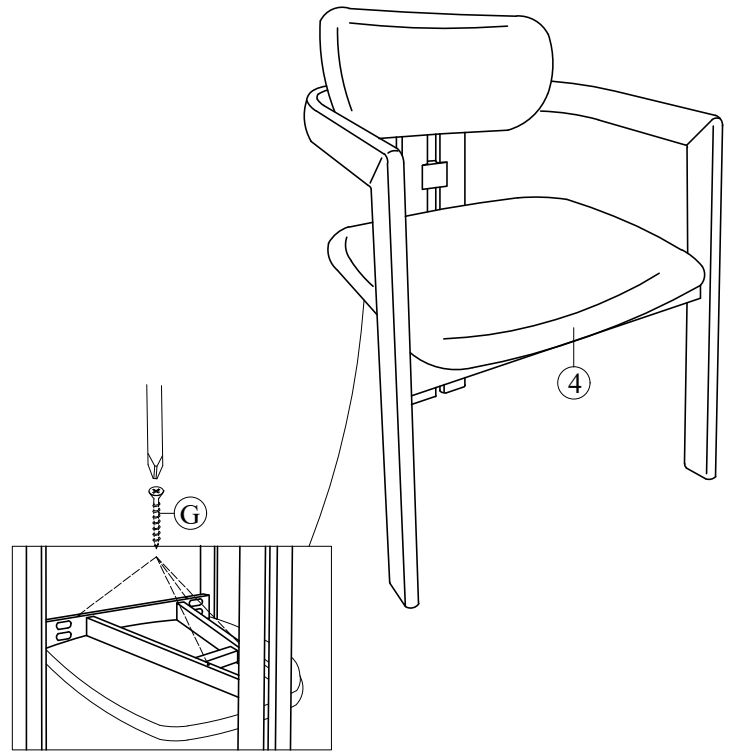
MODEL: DM25636-SC

Before you begin, please follow Assembly Instruction carefully. Then follow them step by step.

STEP 4

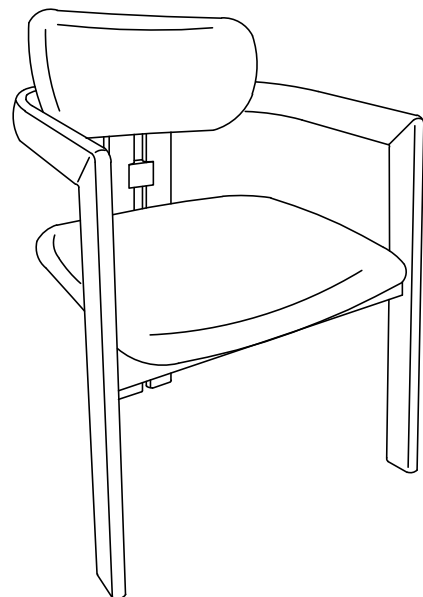
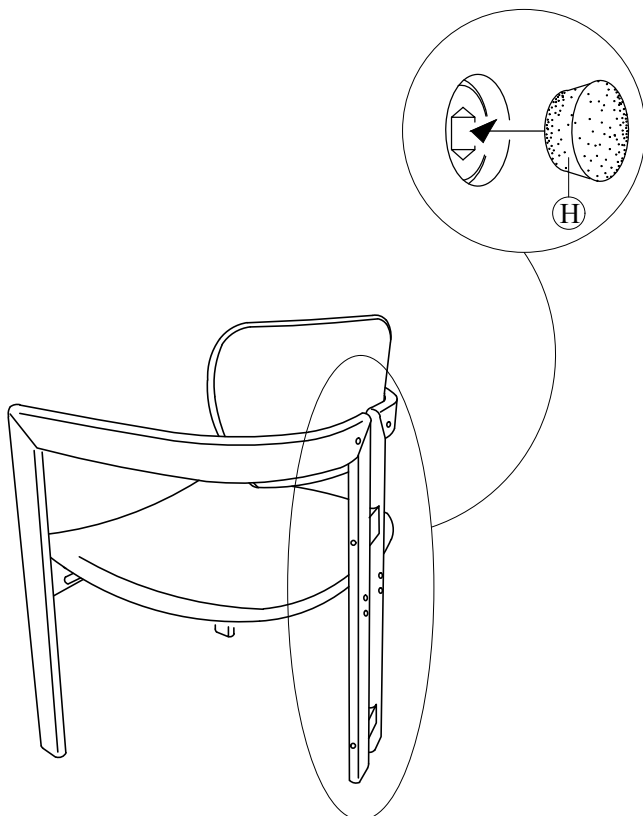


STEP 5



Bottom view

STEP 6



Completed Assembly