

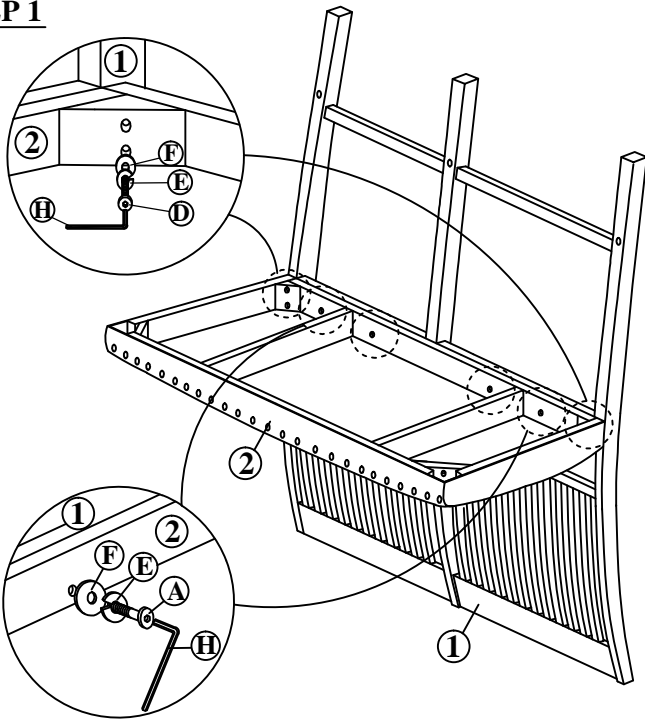
ASSEMBLY INSTRUCTION

MODEL: DM22084 - PBCH

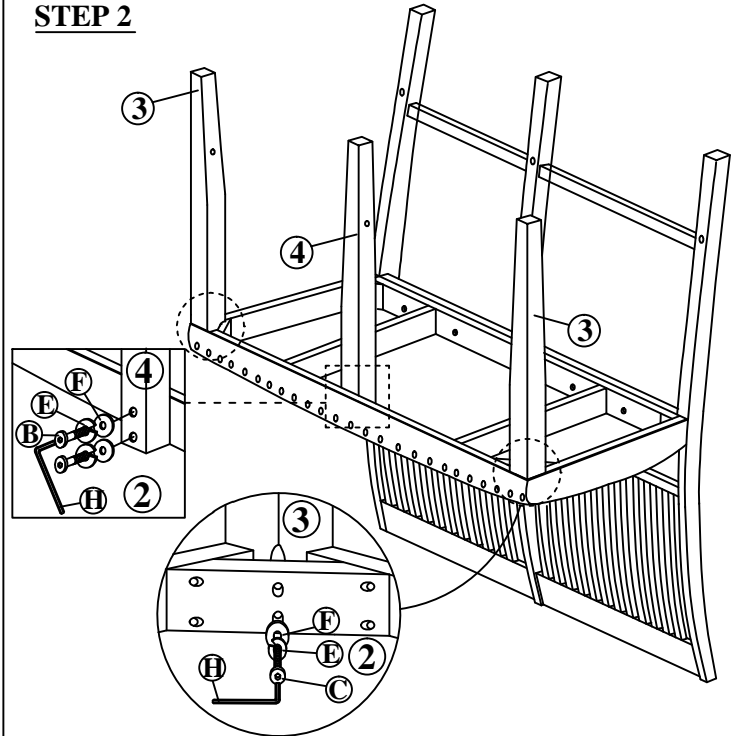
| NO | PARTS LIST | QTY |
|----|----------------|------|
| 1 | CHAIR BACK | 1PC |
| 2 | SEAT FRAME | 1PC |
| 3 | FRONT LEG | 2PCS |
| 4 | CENTER LEG | 1PC |
| 5 | FRONT STRECHER | 2PCS |
| 6 | SIDE STRECHER | 3PCS |

| NO | HARDWARE LIST | QTY |
|----|---------------------|-------|
| A | JCBC M6 x 35mm | 4PCS |
| B | JCBC M6 x 45mm | 2PCS |
| C | JCBC M6 x 60mm | 4PCS |
| D | JCBC M6 x 80mm | 4PCS |
| E | SPRING WASHER | 14PCS |
| F | FLAT WASHER 19mm | 14PCS |
| G | CSK SCREW M4 x 32mm | 10PCS |
| H | M4 ALLEN KEY | 1PC |

STEP 1



STEP 2



STEP 3

