
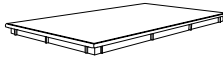
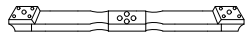


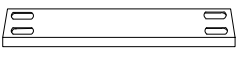

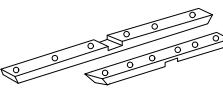

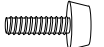



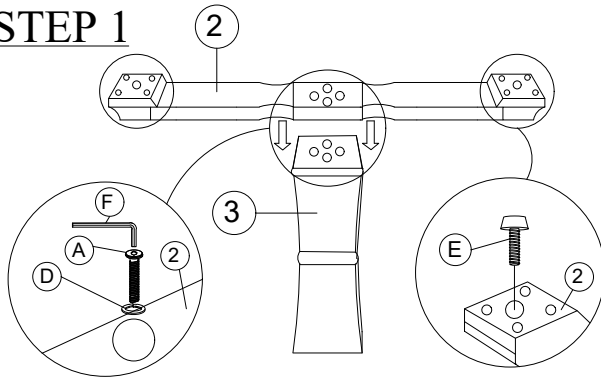
ASSEMBLY INSTRUCTION

MODEL: DM21218 - DINING TABLE

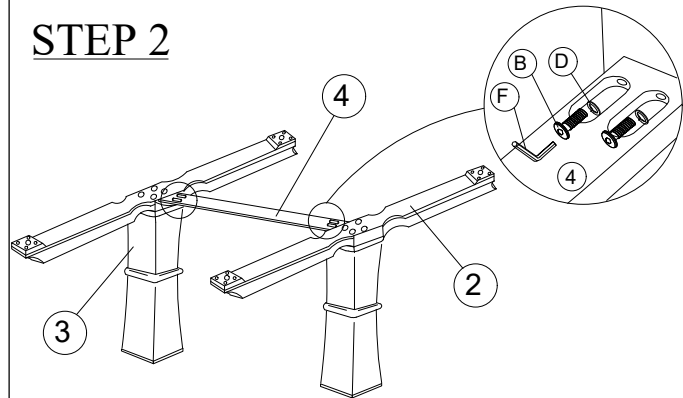
Before you begin, Please follow Assembly Instruction carefully. Then follow them step by step.

HARDWARE LIST				PART LIST					
A	JCBC M6 x 40mm		16pcs	1		1pcs	2		2pcs
B	JCBC M6 x 55mm		4pcs	3		2pcs	4		1pcs
C	CSK M4 x 32mm		16pcs	5		4pcs			
D	Spring Washer M6		20pcs						
E	Adjuster Screw		4pcs						
F	Allen Key		1pc						

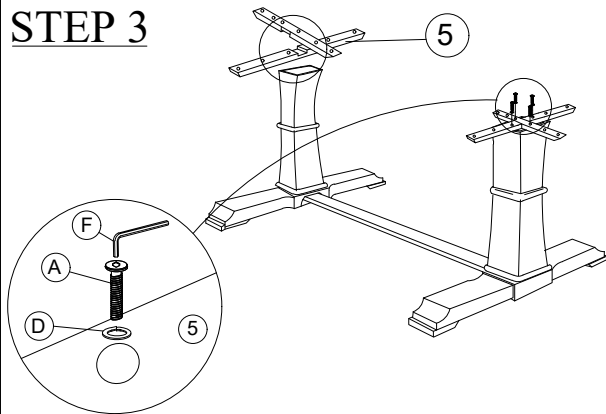
STEP 1



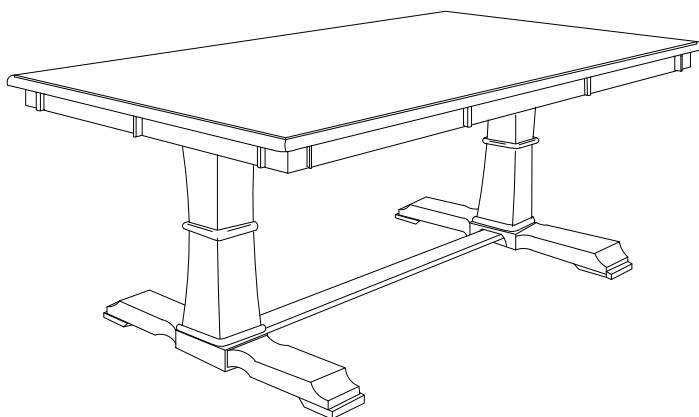
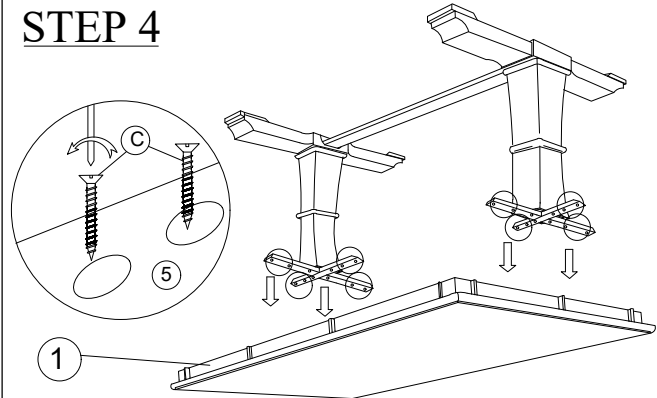
STEP 2



STEP 3



STEP 4



FULLY SET