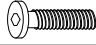
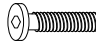



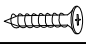
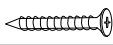



# ASSEMBLY INSTRUCTION

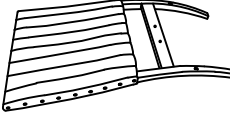
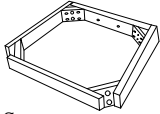
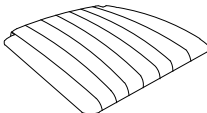
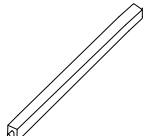

## MODEL: DM25109 SIDE CHAIR

Before you begin, please follow Assembly Instruction carefully. Then follow them step by step.

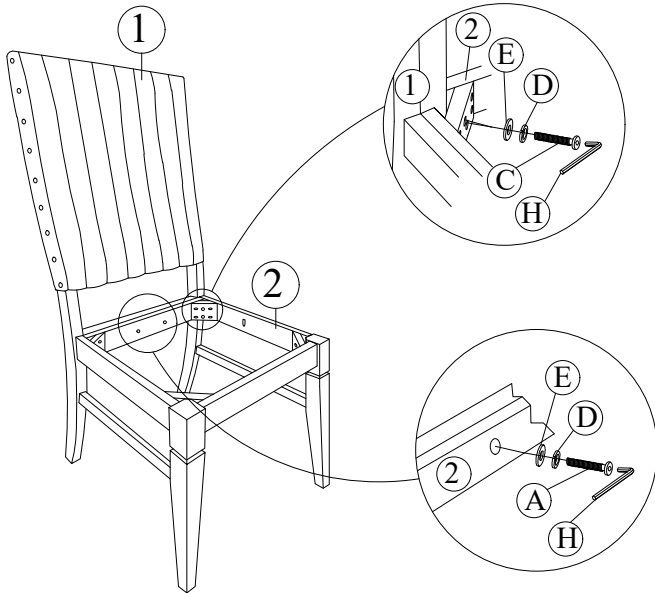
### HARDWARE LIST (x2)

A	JCBC M6 x 40mm		4pcs
B	JCBC M6 x 50mm		8pcs
C	JCBC M6 x 80mm		8pcs
D	Spring Washer M6		20pcs
E	Flat Washer M6		20pcs
F	CSK M4 x 32mm		6pcs
G	CSK M4 x 38mm		8pcs
H	Allen Key		1pc

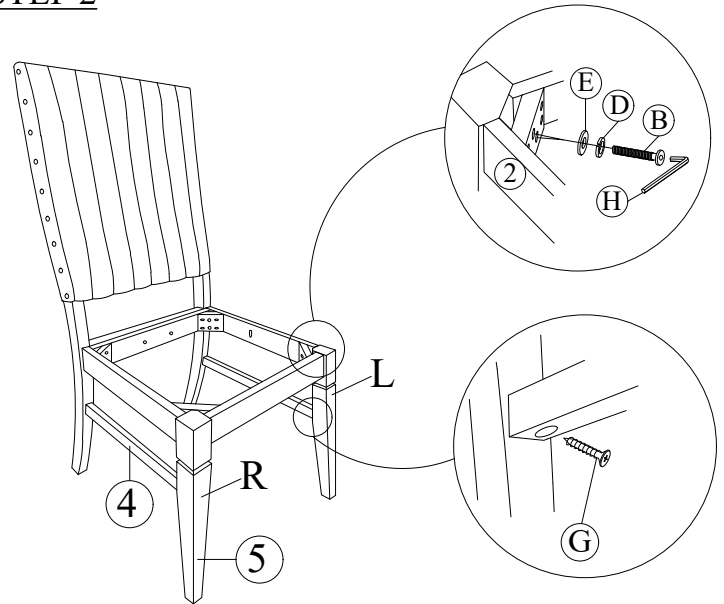
### PART LIST (x2)

1	 Back Rest	2pcs	2	 Box Seat	2pcs
3	 Chair Seat	2pcs	4	 S.Stretcher	4pcs
5	 Front Leg L/R	4pcs			

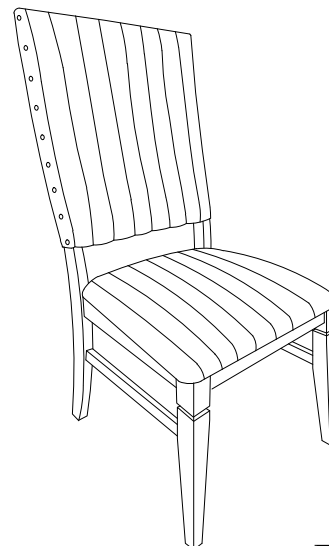
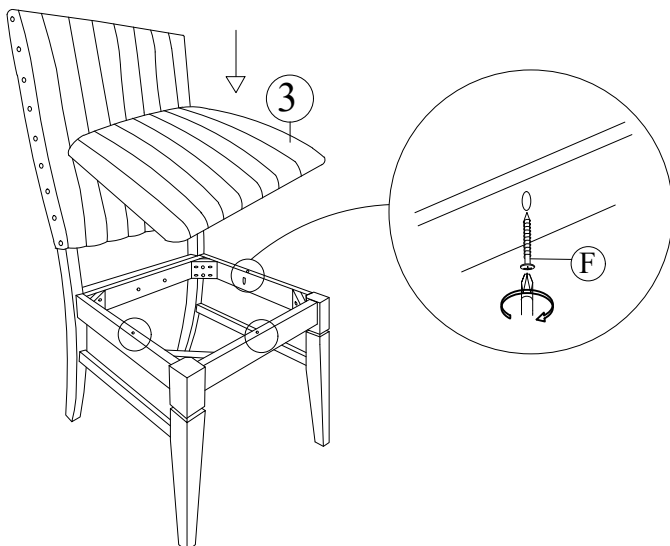
### STEP 1



### STEP 2



### STEP 3



FULLY SET