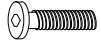
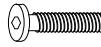



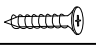
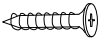



# ASSEMBLY INSTRUCTION

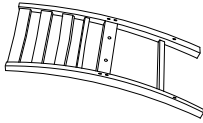
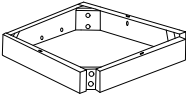

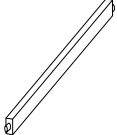
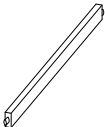

MODEL: DM25645-CC

Before you begin, please follow Assembly Instruction carefully. Then follow them step by step.

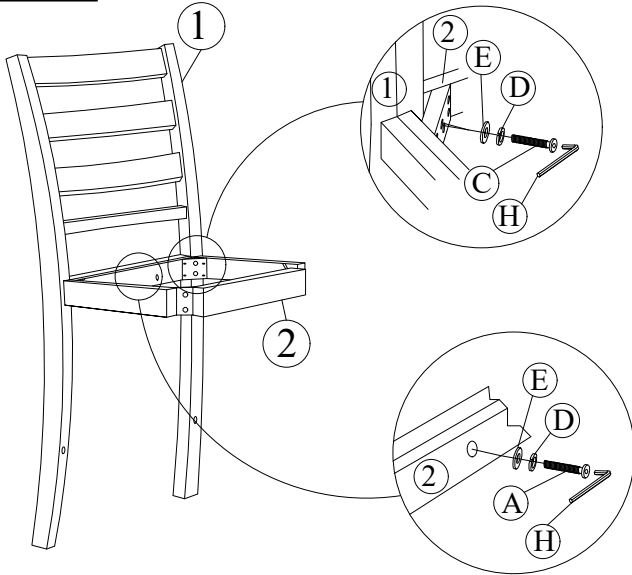
## HARDWARE LIST (x2)

A	JCBC M6 x 40mm		4pcs
B	JCBC M6 x 50mm		8pcs
C	JCBC M6 x 80mm		8pcs
D	Spring Washer M6		20pcs
E	Flat Washer M6		20pcs
F	CSK M4 x 32mm		6pcs
G	CSK M4 x 38mm		12pcs
H	M4 Allen Key		1pc

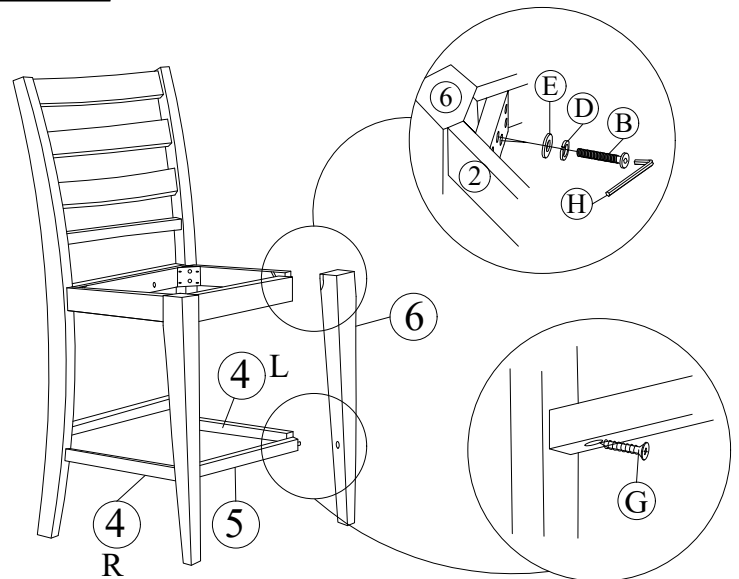
## PART LIST (x2)

1	 Back Rest	2pcs	2	 Box Seat	2pcs
3	 Cushion Seat	2pcs	4	 S.Stretcher L/R	4pcs
5	 F.Stretcher	2pcs	6	 Front Leg	4pcs

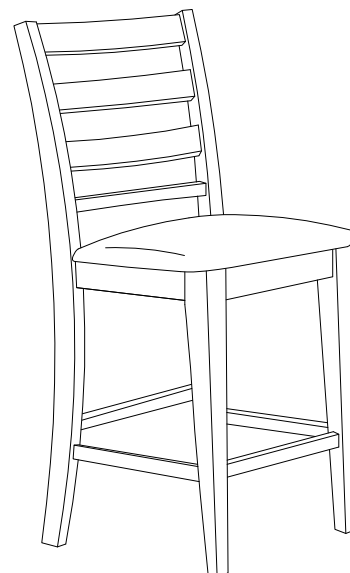
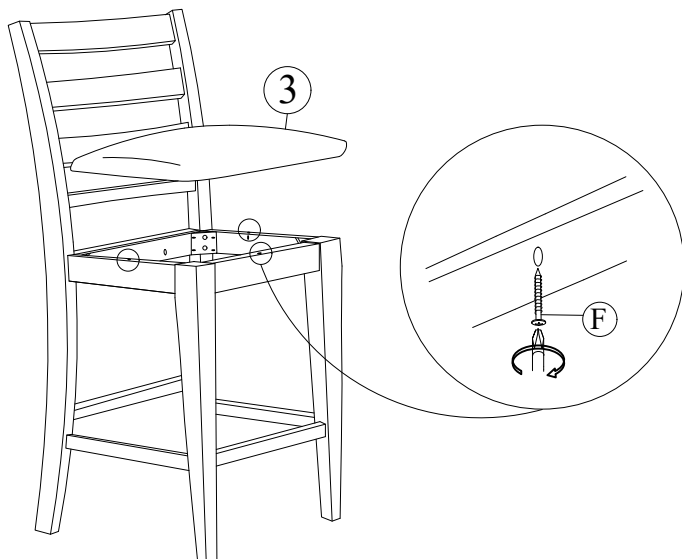
### STEP 1



### STEP 2



### STEP 3



FULLY SET