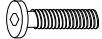



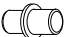
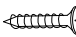




# ASSEMBLY INSTRUCTION

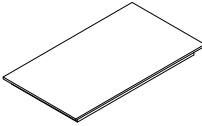

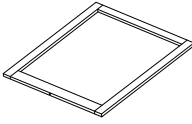
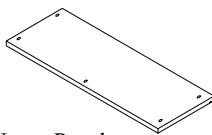
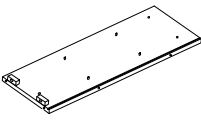
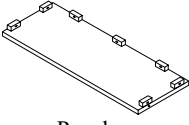
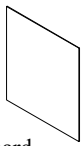
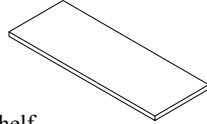
MODEL: DM25645-CT

Before you begin, please follow Assembly Instruction carefully. Then follow them step by step.

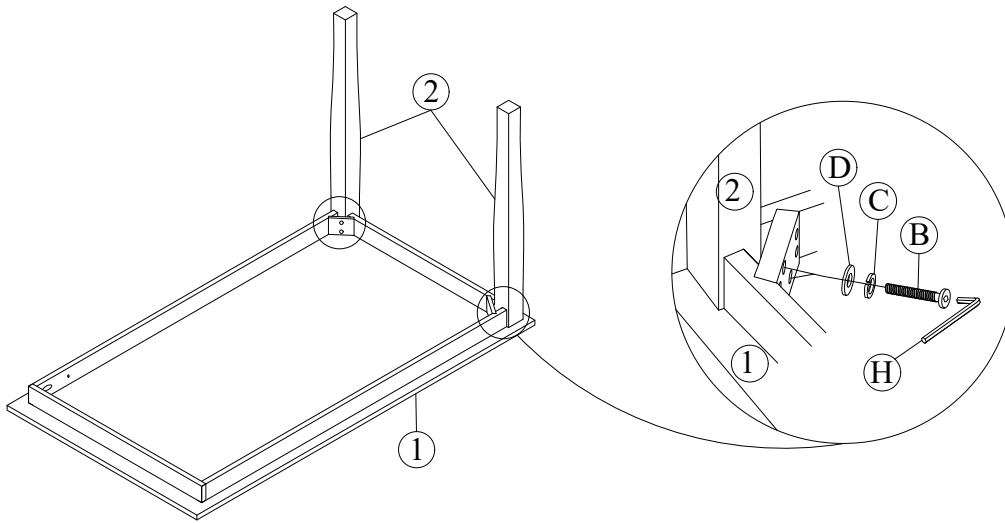
## HARDWARE LIST

A	JCBC M8 x 35mm		4pcs
B	JCBC M8 x 60mm		4pcs
C	Spring Washer M8		8pcs
D	Flat Washer M8		8pcs
E	Shelf Support		8pcs
F	CSK M4 x 32mm		13pcs
G	Wood Dowel M8 x 35mm		15pcs
H	M5 Allen Key		1pc

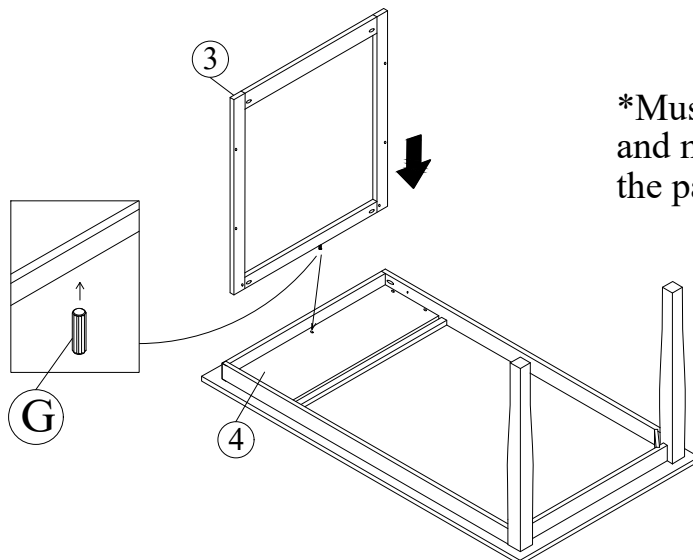
## PART LIST

1	 Table Top	1pc	2	 Leg	2pcs
3	 Front Frame	1pc	4	 Upper Panel	1pc
5	 Side Panel L/R	2pcs	6	 Lower Panel	1pc
7	 Back Board	1pc	8	 Shelf	2pcs

## STEP 1



## STEP 2



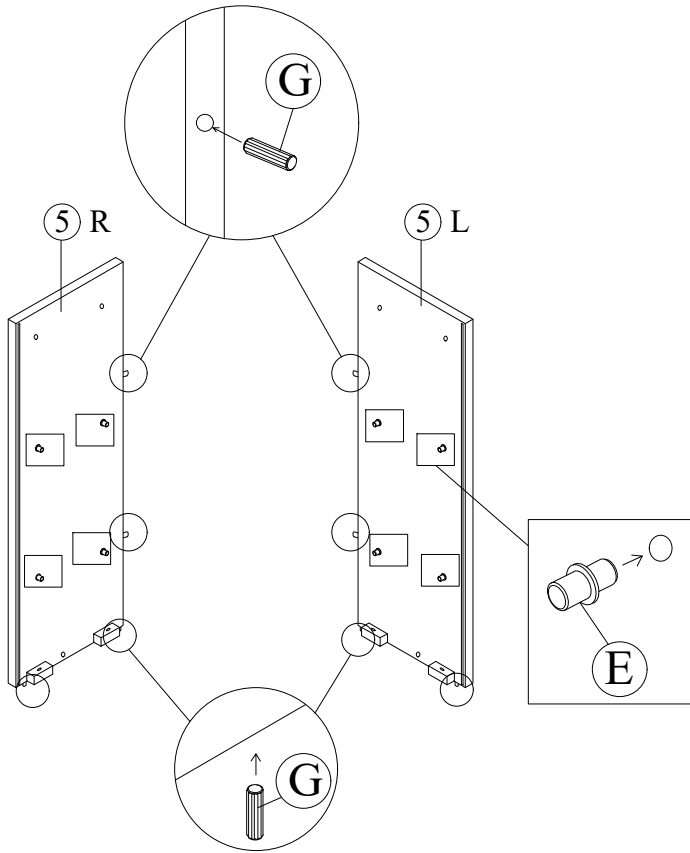
**\*Must adjust and make alignment the panel.**

# ASSEMBLY INSTRUCTION

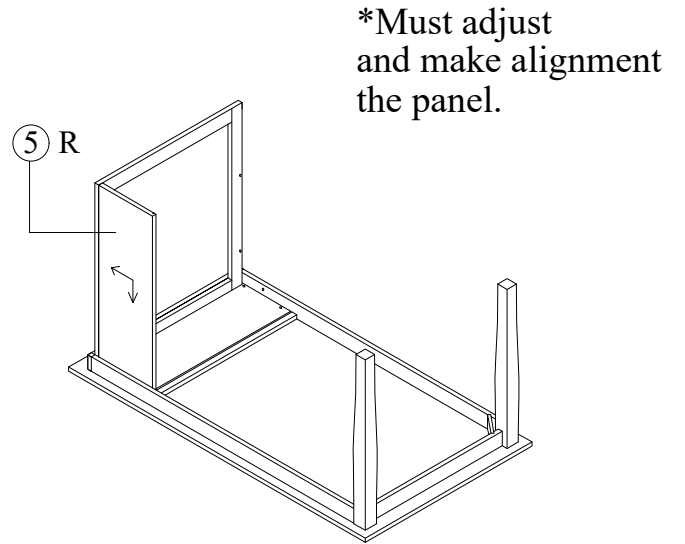
MODEL: DM25645-CT

Before you begin, please follow Assembly Instruction carefully. Then follow them step by step.

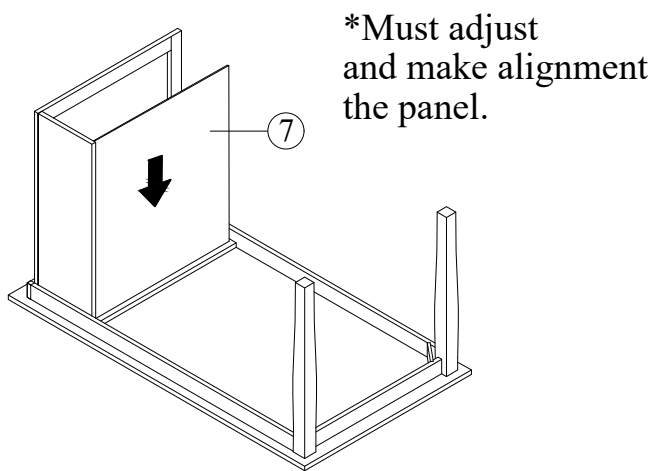
## STEP 3



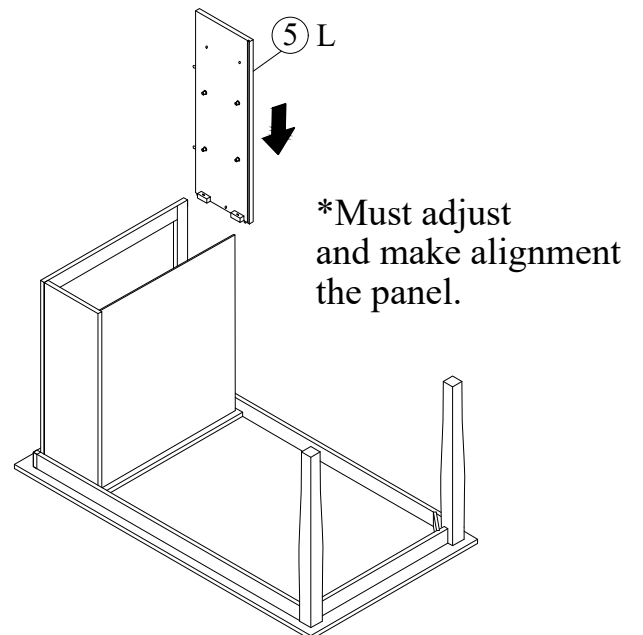
## STEP 4



## STEP 5



## STEP 6

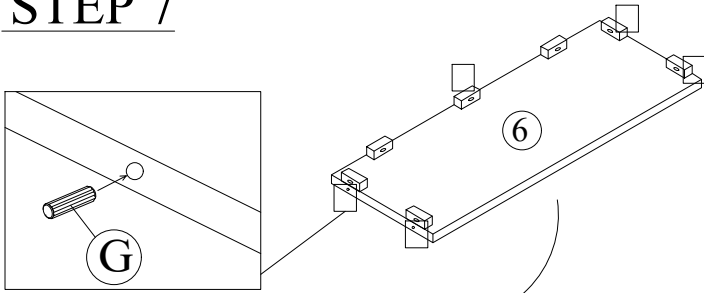


# ASSEMBLY INSTRUCTION

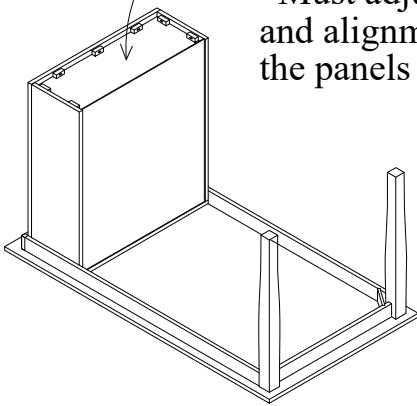
MODEL: DM25645-CT

Before you begin, please follow Assembly Instruction carefully. Then follow them step by step.

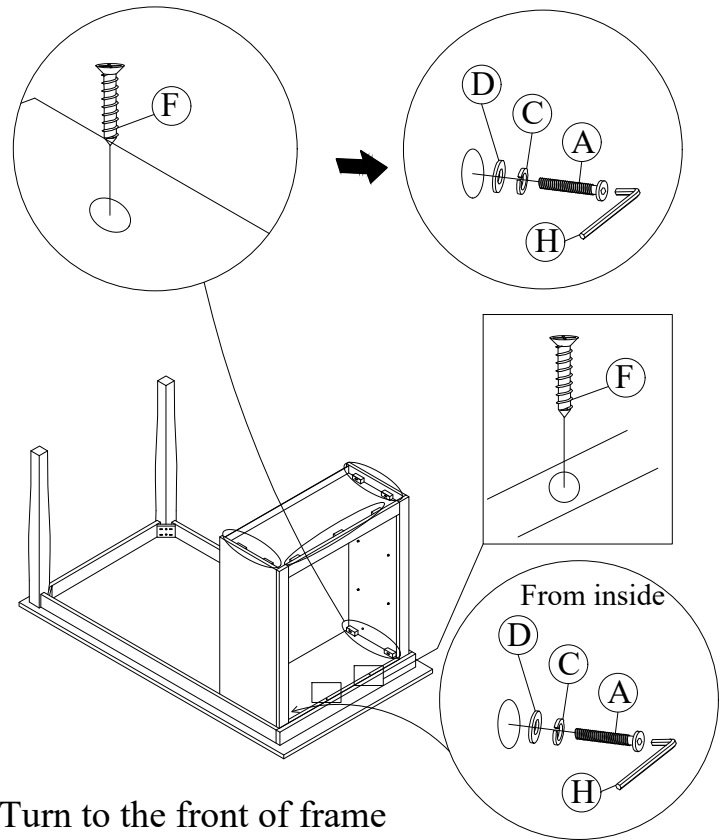
## STEP 7



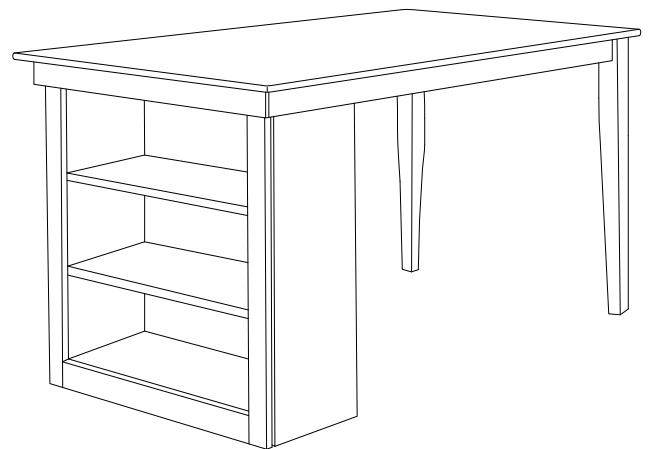
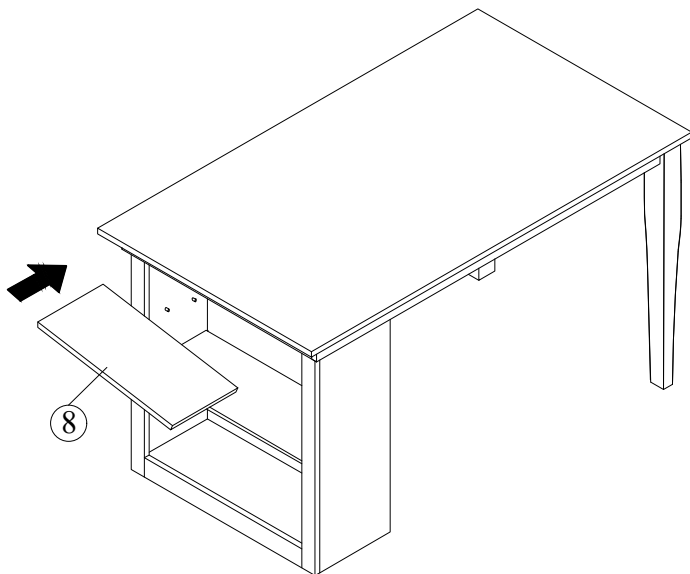
\*Must adjust and alignment all the panels in position.



## STEP 8



## STEP 9



FULLY SET