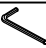

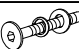

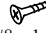


ASSEMBLY INSTRUCTIONS

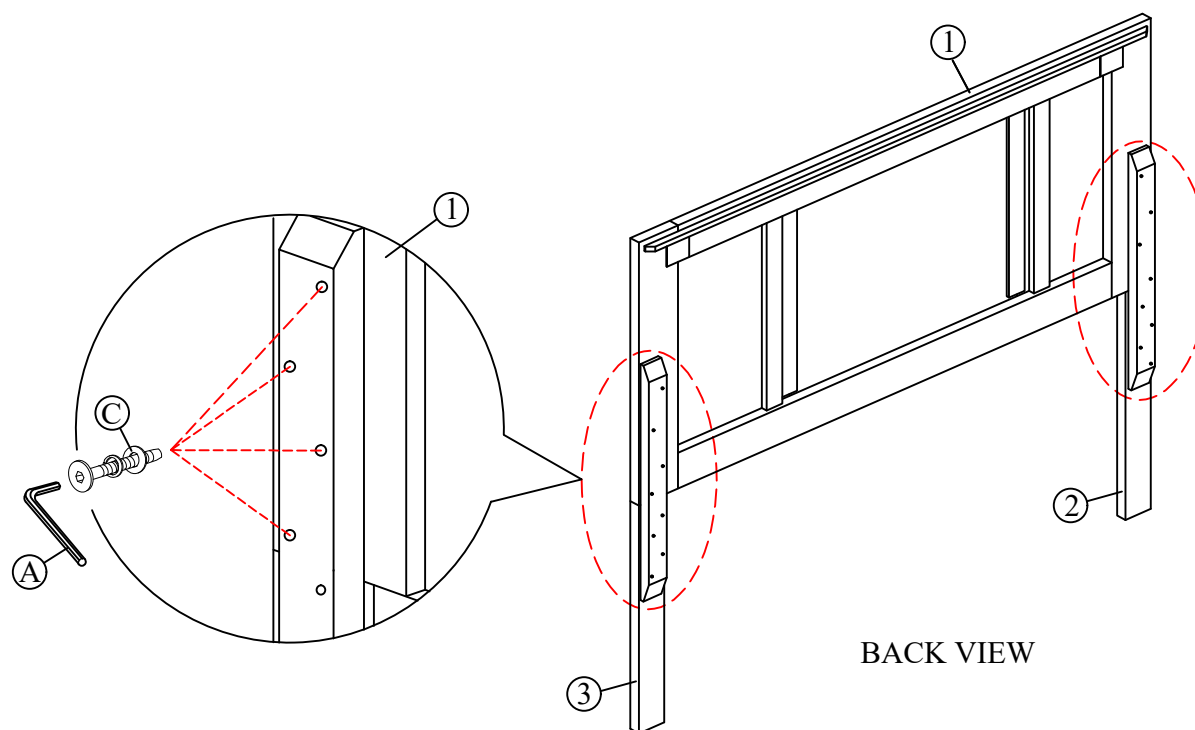
MODEL : BM23071- KHB/FB/SR

Thank you for purchasing this quality product. Be sure to check all packing material carefully for small parts which may have come loose inside the carton during the shipment. Count all parts and metal hardware, compare the parts list below to be sure all parts are present.

NOTE: HARDWARE ARE QUANTITY SHOWN BELOW ARE FOR 1 UNIT ASSEMBLY

HARDWARE		
CODE	DESCRIPTION	QTY
A	 M4 ALLEN KEY	1X
B	 CONNECTION SHORT BOLT (M6 x 25mm) W/WASHER & SPRING WASHER	8X
C	 CONNECTION LONG BOLT (M6 x 50mm) W/WASHER & SPRING WASHER	8X
D	 M8 x 30MM WOOD DOWEL	8X
E	 #8 x 1 1/8" CSK RATTAN SCREW	8X
PART LIST		
NO	DESCRIPTION	QTY
1	HAEDBOARD	1 PC
2	H-B LEG - L	1 PC
3	H-B LEG - R	1 PC
4	FOOTBOARD	1 PC
5	WOODEN SLAT	4 PCS
6	SUPPORT SLAT	8 PCS
7	SIDE RAIL	2 PCS

STEP 1



BACK VIEW

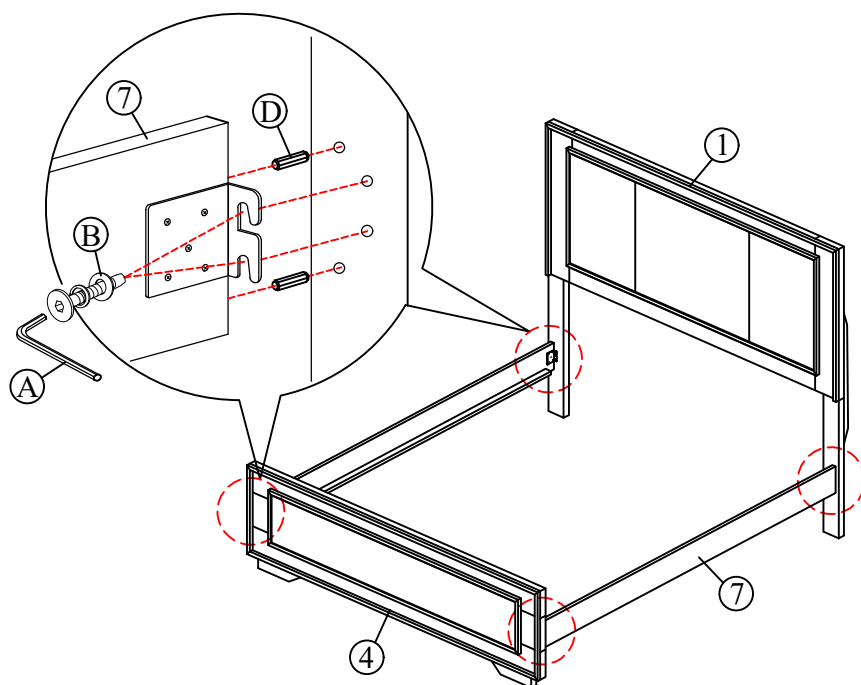
ASSEMBLY INSTRUCTIONS

MODEL : BM23071- KHB/FB/SR

Thank you for purchasing this quality product. Be sure to check all packing material carefully for small parts which may have come loose inside the carton during the shipment. Count all parts and metal hardware, compare the parts list below to be sure all parts are present.

NOTE: HARDWARE ARE QUANTITY SHOWN BELOW ARE FOR 1 UNIT ASSEMBLY

STEP 2



STEP 3

