

ASSEMBLY INSTRUCTION

Bel Furniture

ITEM NUMBER : CV25594 & CV25694

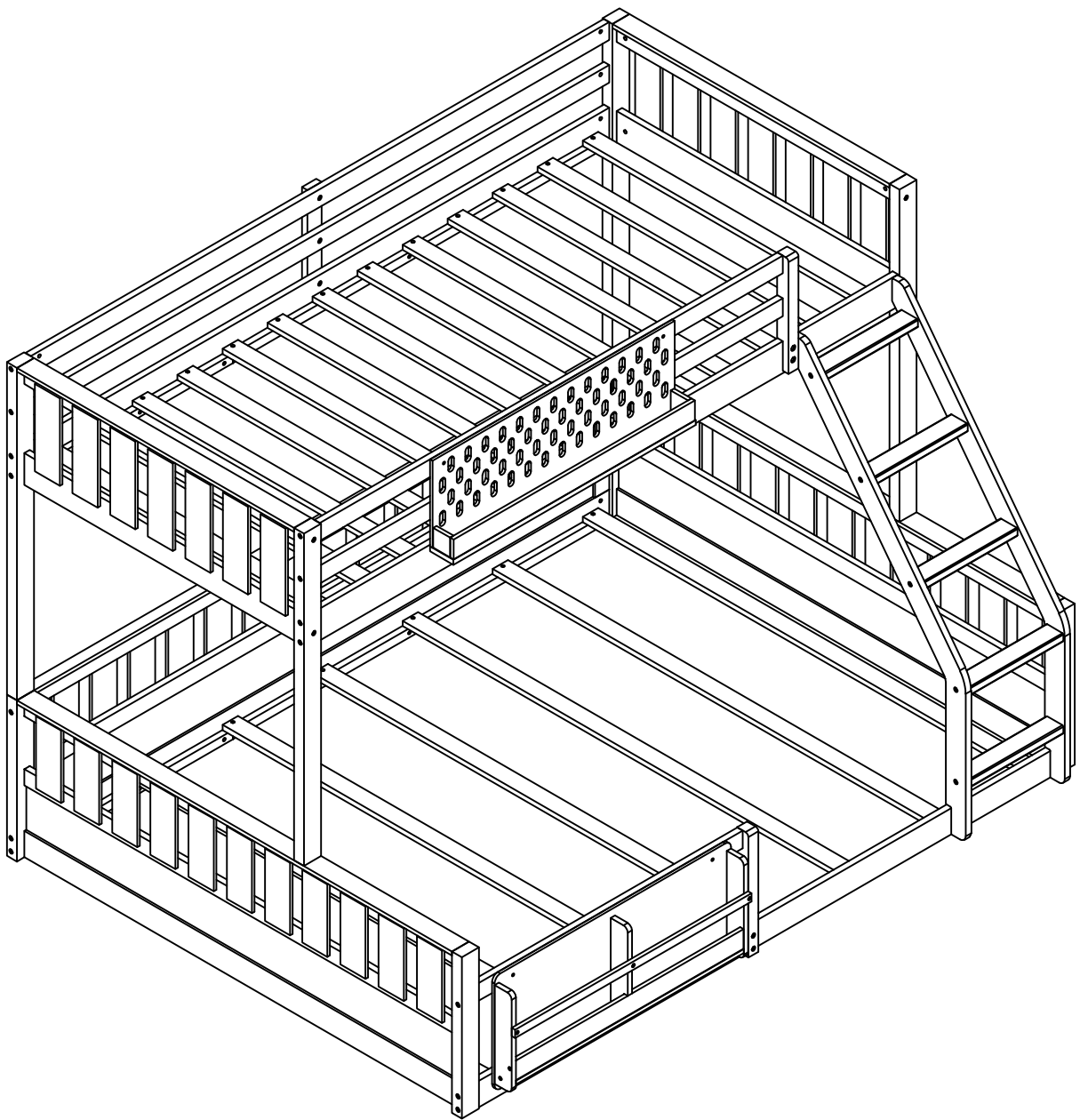
DESCRIPTION : BUNK BED TWIN/ QUEEN SIZE

Thank you for purchasing this quality product.

Please read instructions carefully prior to assembly.

Check carefully for small parts which may have come loose during transportation inside all the boxes.

Remove from boxes and place all parts and components on soft surface such as carpet, blanket or furniture.



! SAFETY WARNINGS !

1. This bed is designed for use only mattress (es) meeting the following specifications on the upper bunk and lower bunk:
Identify and verify all parts and hardware as specified below.

Upper bed

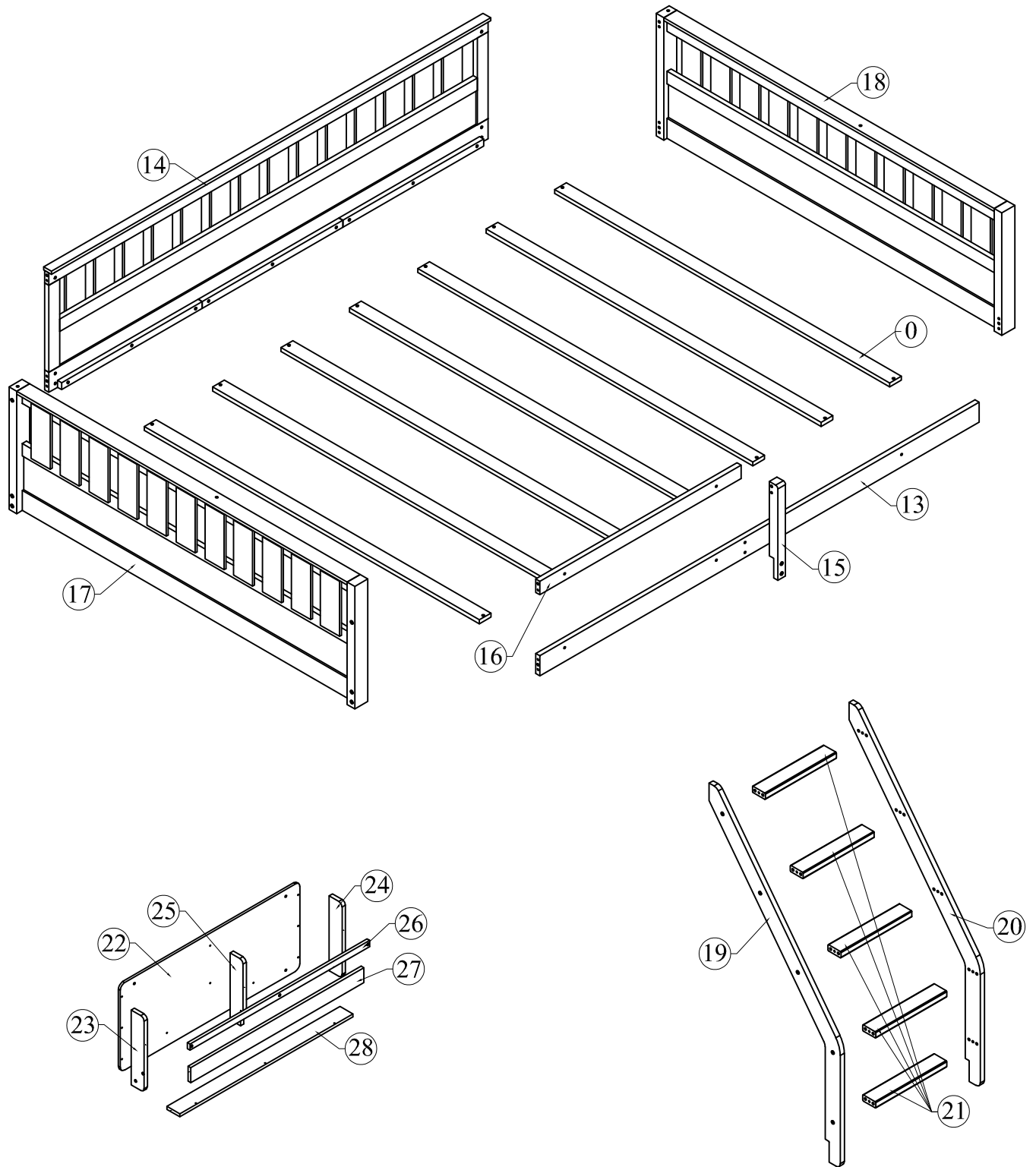
Bed Type	Length	Width	Thickness
<i>Twin XL</i>	<i>80"</i>	<i>37 1/2" -38"</i>	<i>6"max</i>

Lower bed

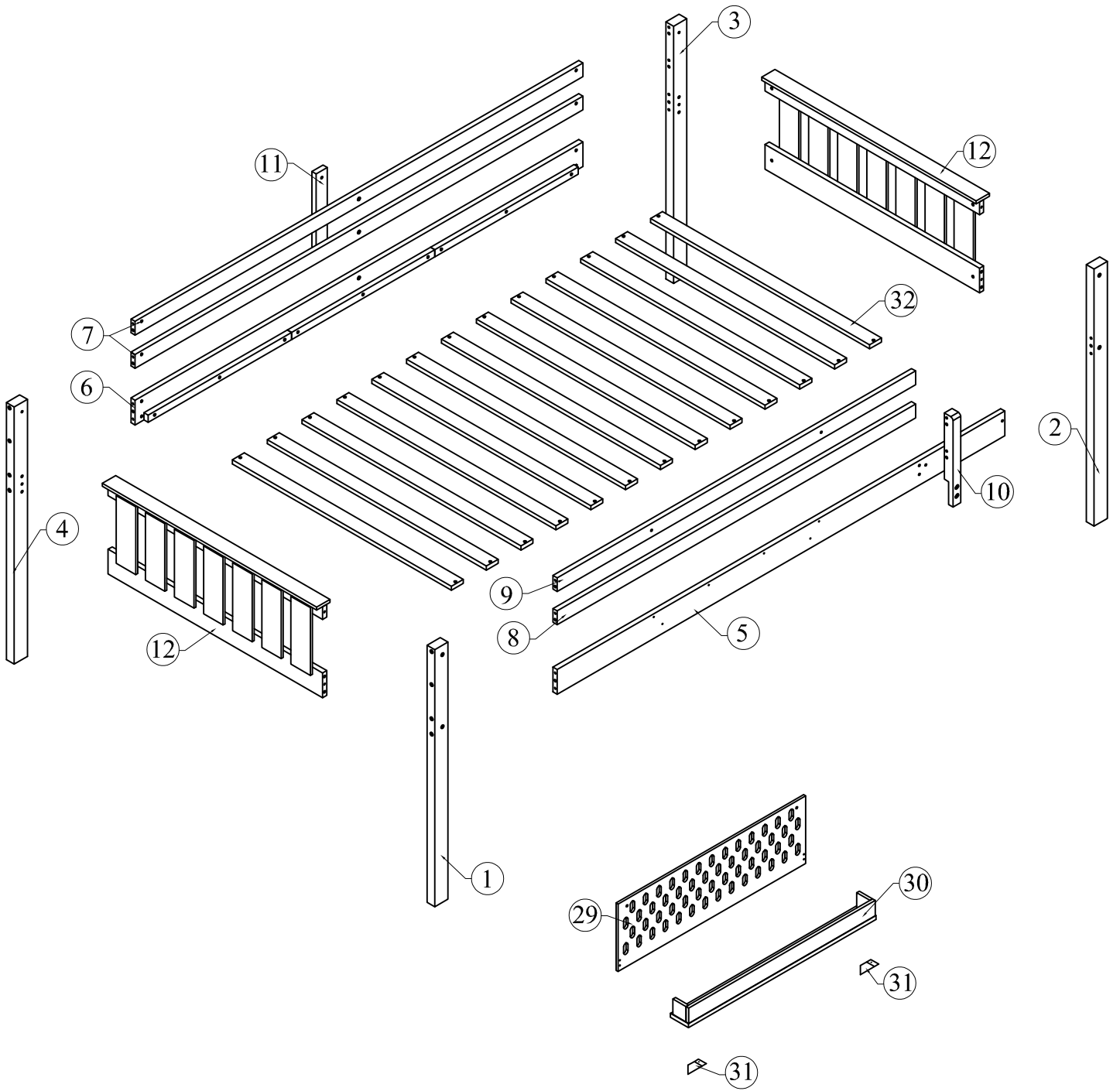
Bed Type	Length	Width	Thickness
<i>Queen Standard</i>	<i>80"</i>	<i>60"</i>	<i>6"max</i>

1. Replacement parts, including additional guardrails, maybe obtained from any of our
2. Follow the information on the warnings appearing on the upper bunk bed end structure and on the carton. Do not remove warning label from bed.
3. Always use the recommended size mattresses or mattress supports, or both, to help prevent the likelihood of entrapment or falls.
4. Surface of mattress must be at least 5" (127mm) below the upper edge of guardrails.
5. Do not allow children under 6 years of age to use the upper bunk.
6. Periodically check and ensure that the guardrail, ladder, and other components are in their proper position, free from damage, and that all connectors are tight.
7. Do not allow horseplay on or under the bed and prohibit jumping on the bed.
8. Always use the ladder for entering and leaving the upper bunk.
9. Do not use substitute part. Contact the manufacture or dealer for replacement part.
10. Use of a night light may provide added safety precaution for a child using the upper bunk.
11. Always use guardrails on both long sides of the upper bunk. If the bunk bed will be placed next to the wall, the guardrail that runs the full length of the bed should be placed against the wall to prevent entrapment between the bed and wall.
12. The use of water or sleep flotation mattresses is prohibited.
13. STRANGULATION HAZARD - Never attach or hang items to any part of the bunk bed that are not designed for use with the bed; for example, but not limited to, hook, belts and jump ropes.
14. Keep these instruction for future reference.
15. Prohibit more than one person on upper bunk.
16. We recommend assembling your bunk bed on the shipping carton to protect your floor or carpet.
17. Be certain all staples are out of the box before beginning assembly on the shipping carton.

ASSEMBLY INSTRUCTION

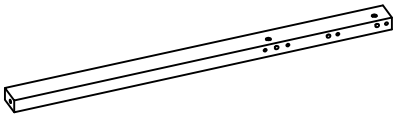


ASSEMBLY INSTRUCTION



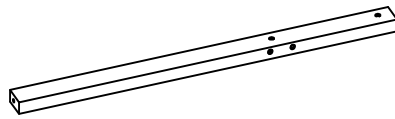
Part List Box 1

1



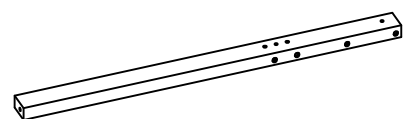
Leg
1pc

2



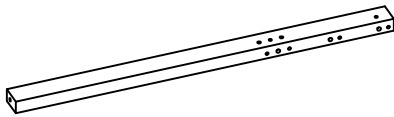
Leg
1pc

3



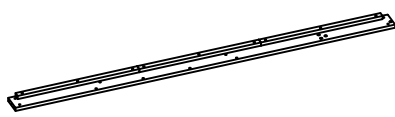
Leg
1pc

4



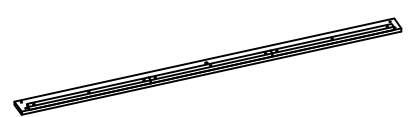
Leg
1pc

5



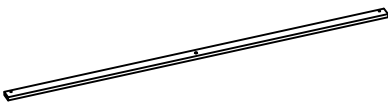
Side rail
1pc

6



Side rail
1pc

7



Bed Railing
2pcs

8



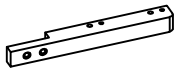
Guard rail
1pc

9



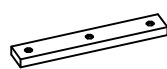
Guard rail
1pc

10



Vertical guard rail
1pc

11



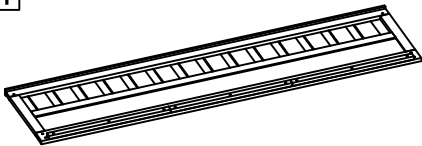
Vertical connector
1pc

13



Side rail
1pc

14



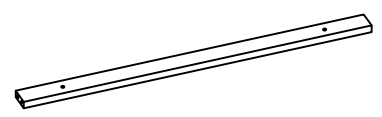
Side rail
1pc

15



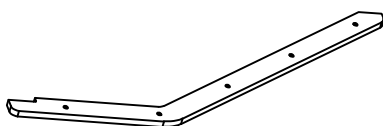
Vertical guard rail
1pc

16



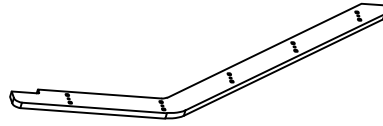
Crossbar
1pc

19



Stair side bar
1pc

20



Stair side bar
1pc

21



Stair
5pcs

32



Slats
13pcs

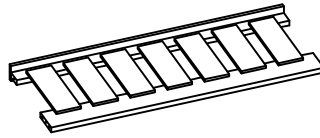
Part List Box 2

0



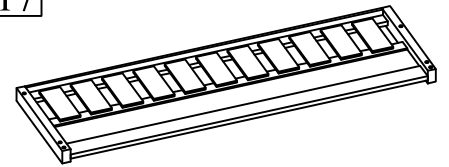
Slats
7pcs

12



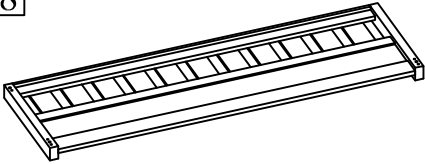
Side frame assembly
2pcs

17



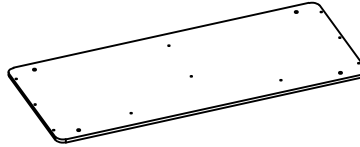
Side frame assembly
1pc

18



Side frame assembly
1pc

22



Panel
1pc

23



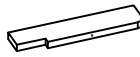
Left side panel
1pc

24



Right side panel
1pc

25



Vertical partition
1pc

26



Front rail
1pc

27



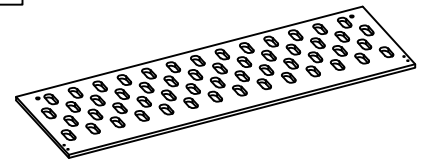
Front rail
1pc

28



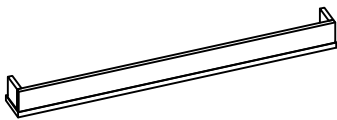
Bottom panel
1pc

29



Back panel
1pc

30



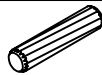

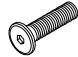
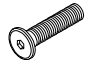
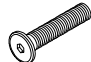







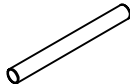

Leg
1pc

31



Shelf support
2pcs


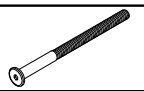

Hardware List Box 2

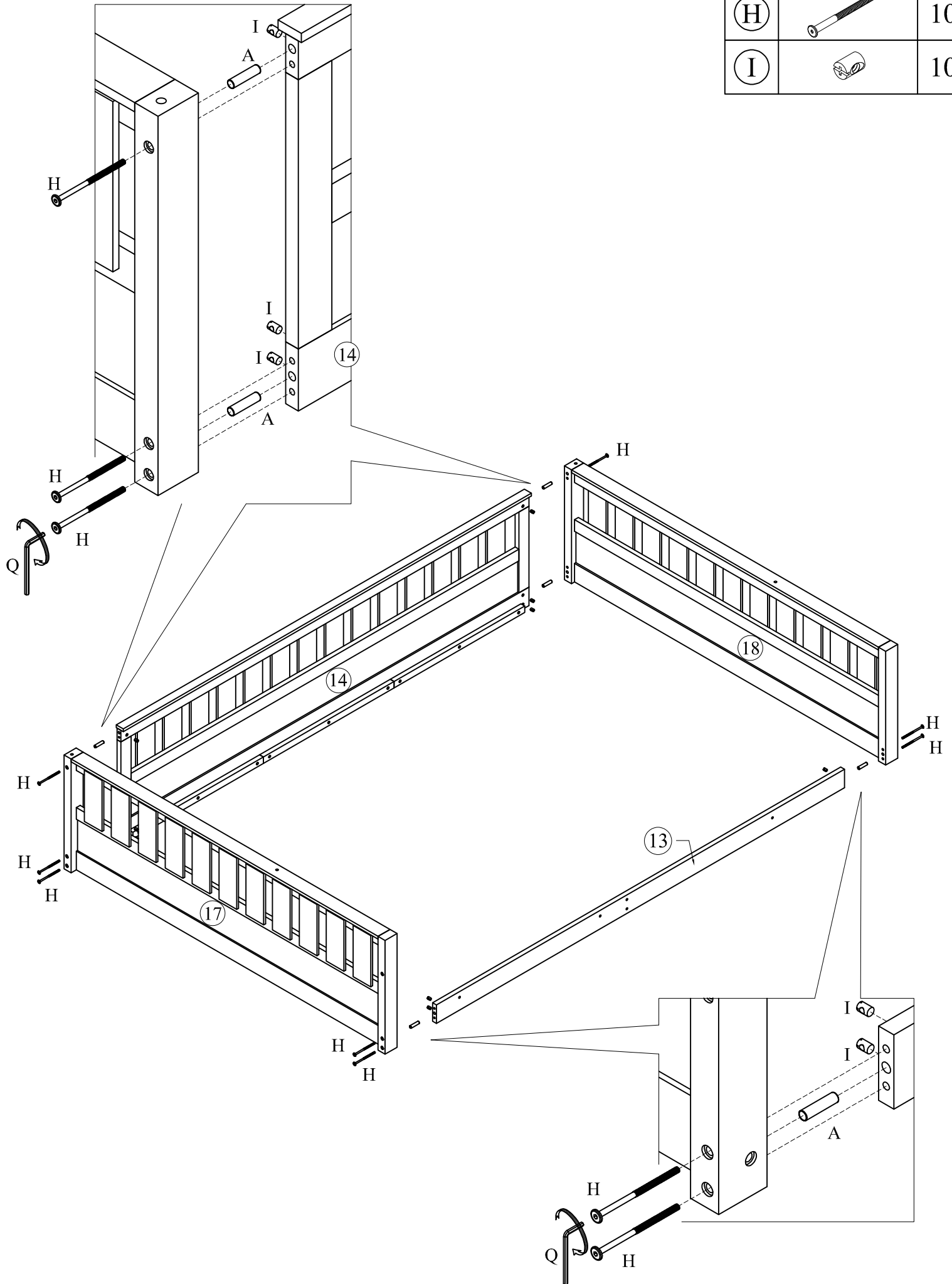
No.	OUTLOOK	DESC	QTY
(A)		Dowel Ø10*40mm	48
(B)		Bolts 1/4"*20mm	06
(C)		Bolts 1/4"*25mm	05
(D)		Bolts 1/4"*30mm	02
(E)		Bolts 1/4"*40mm	03
(F)		Bolts 1/4"*60mm	10
(G)		Bolts 1/4"*80mm	11
(H)		Bolts 1/4"*100mm	25
(I)		Cross dowel 1/4"*13mm	46
(J)		Hex bolts 1/4"*15mm	05
(M)		Screws #8*25mm	32
(N)		Screws #8*30mm	40
(O)		Metal Dowel Ø10*100mm	04
(Q)		Allen key 60*22*4mm	02

ASSEMBLY TOOLS REQUIRED (NOT INCLUDED)







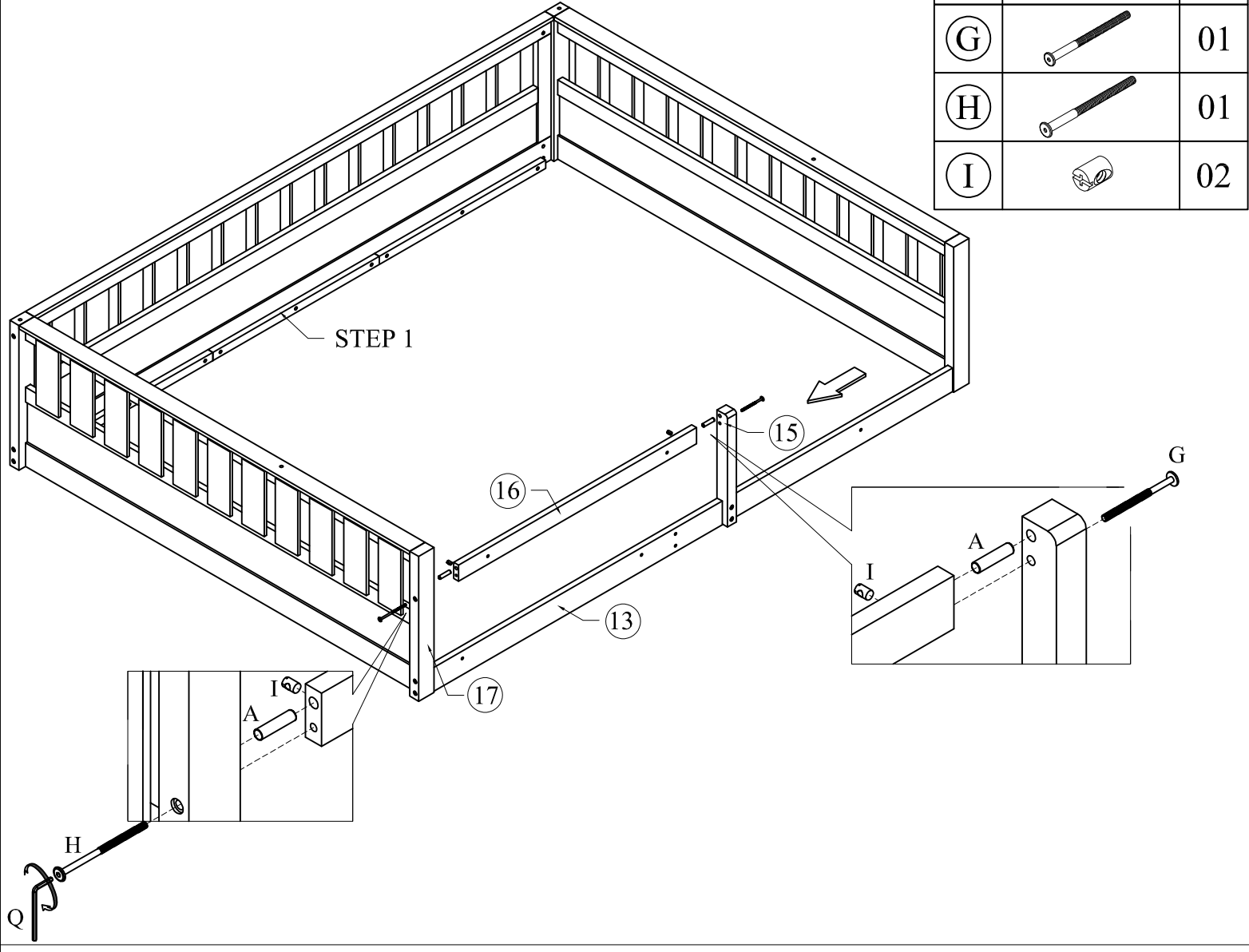
STEP 1

(A)		06
(H)		10
(I)		10

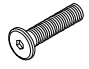


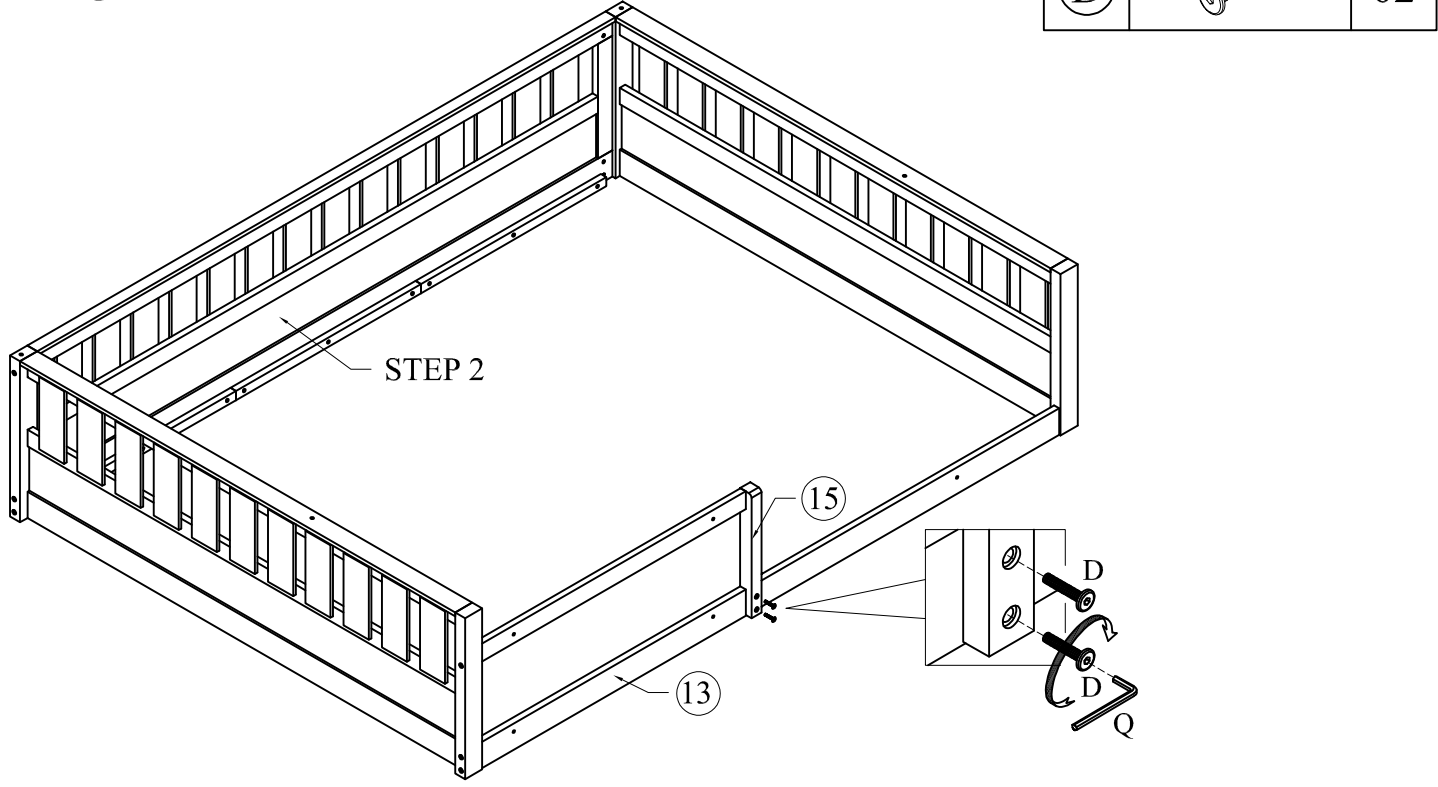
STEP 2

(A)		02
(G)		01
(H)		01
(I)		02


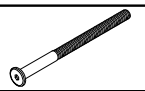



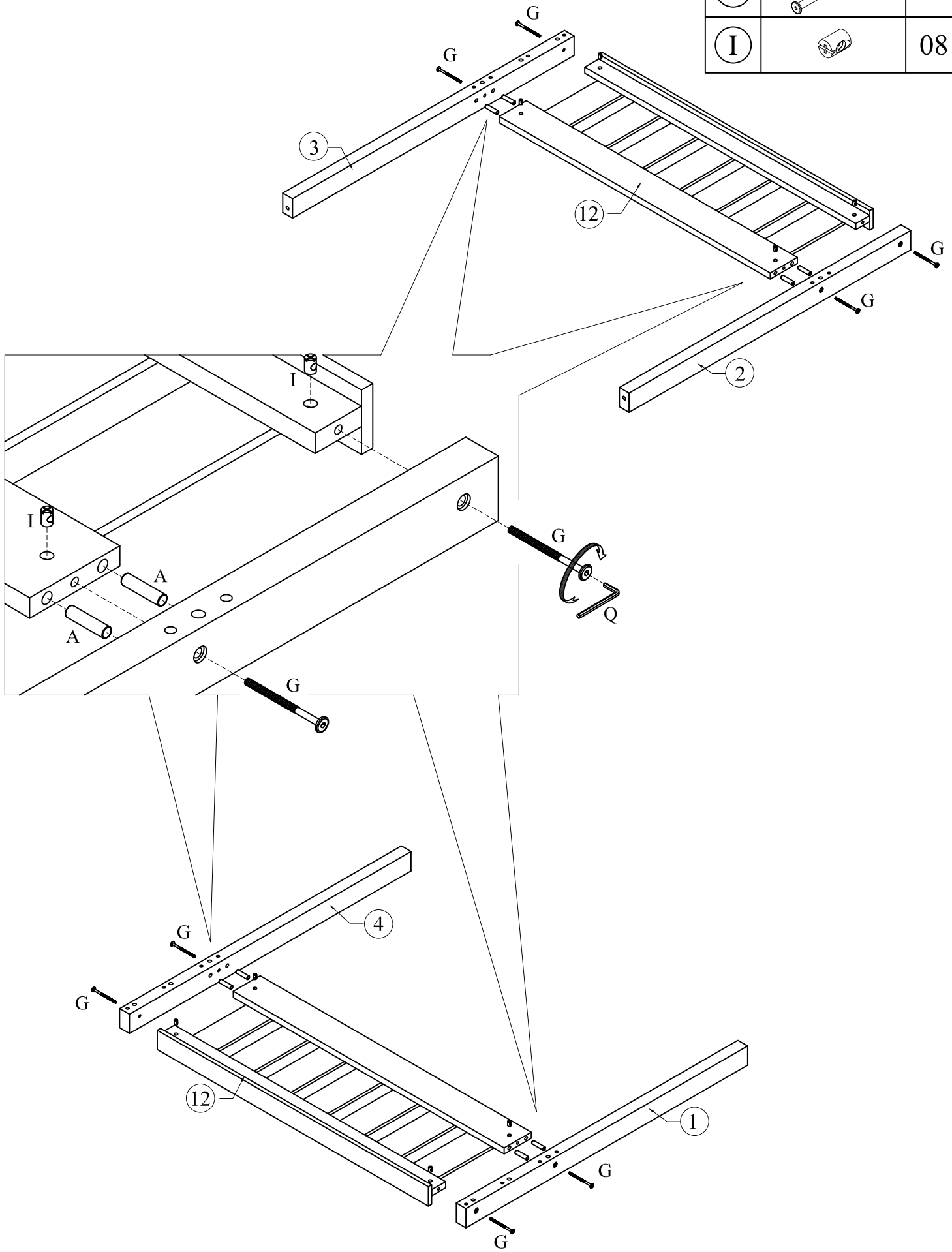
STEP 3

(D)		02
-----	---	----


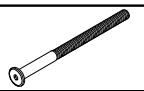



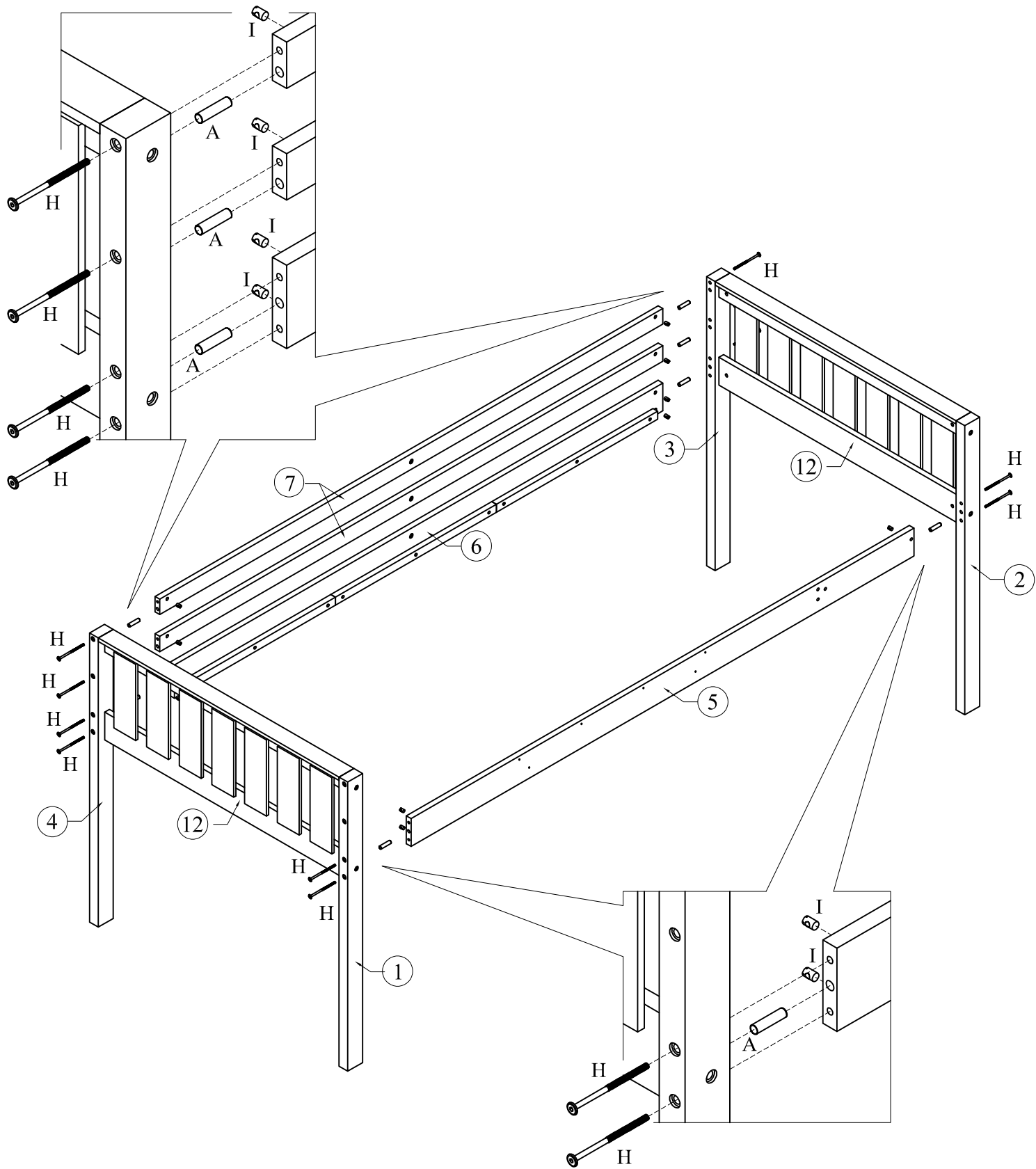
STEP 4

(A)		08
(G)		08
(I)		08



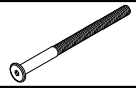



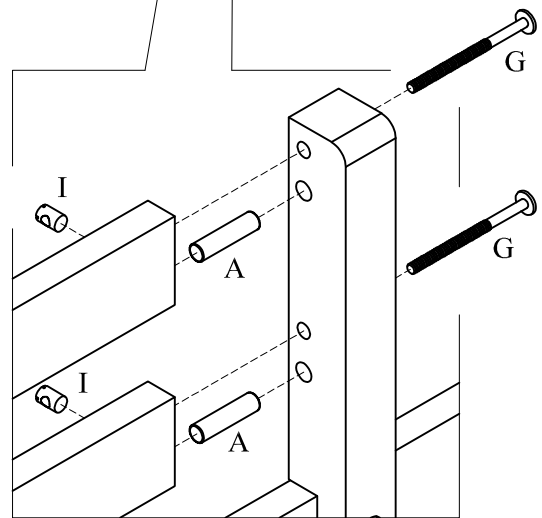
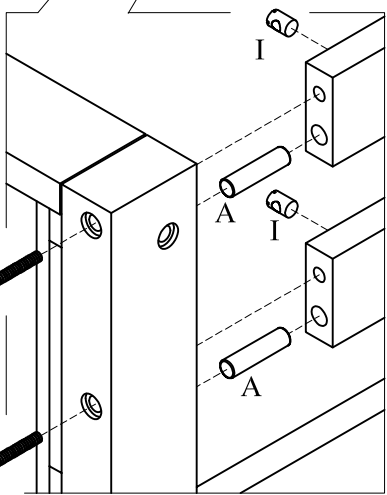
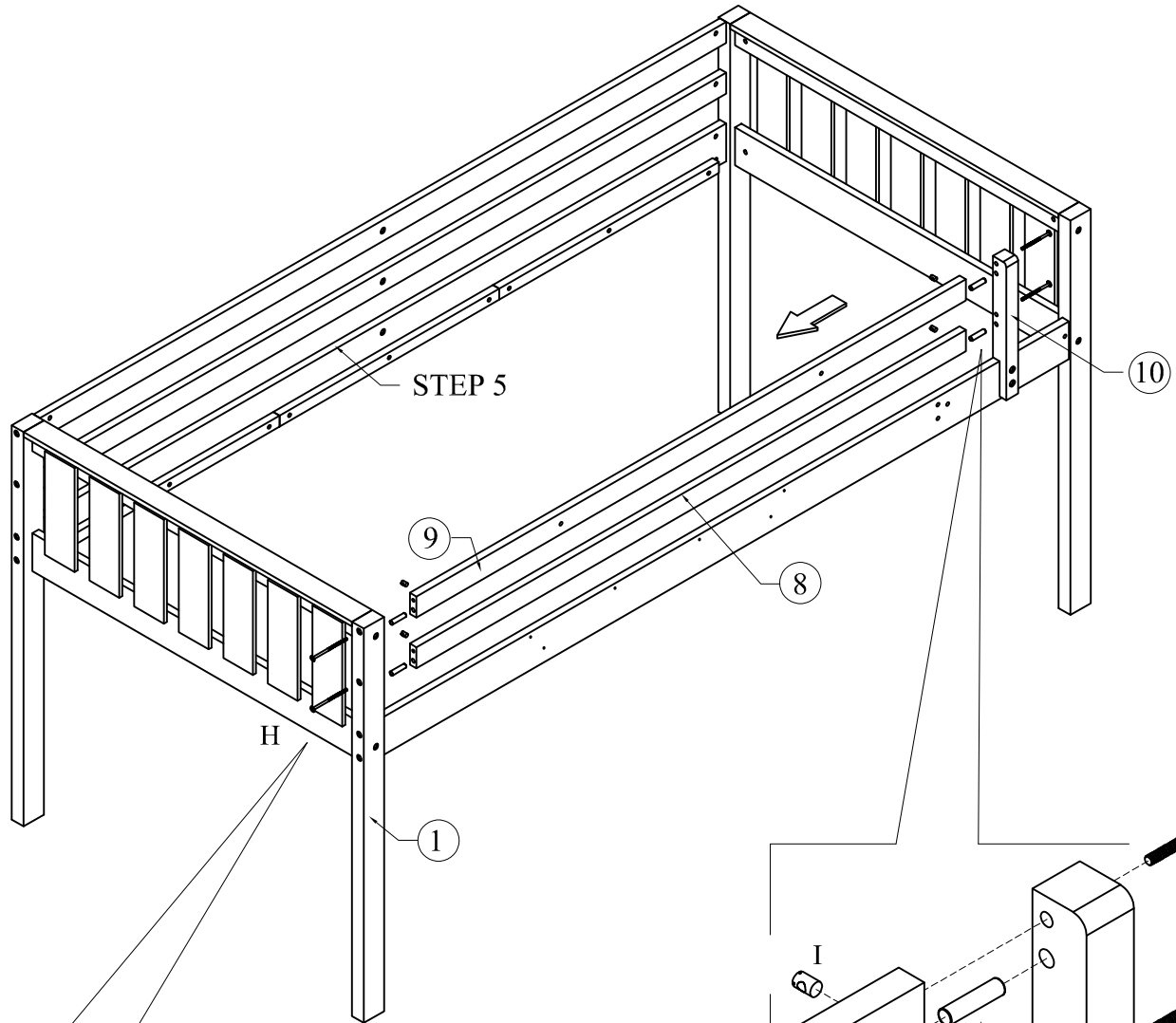
STEP 5

(A)		08
(H)		12
(I)		12

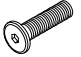



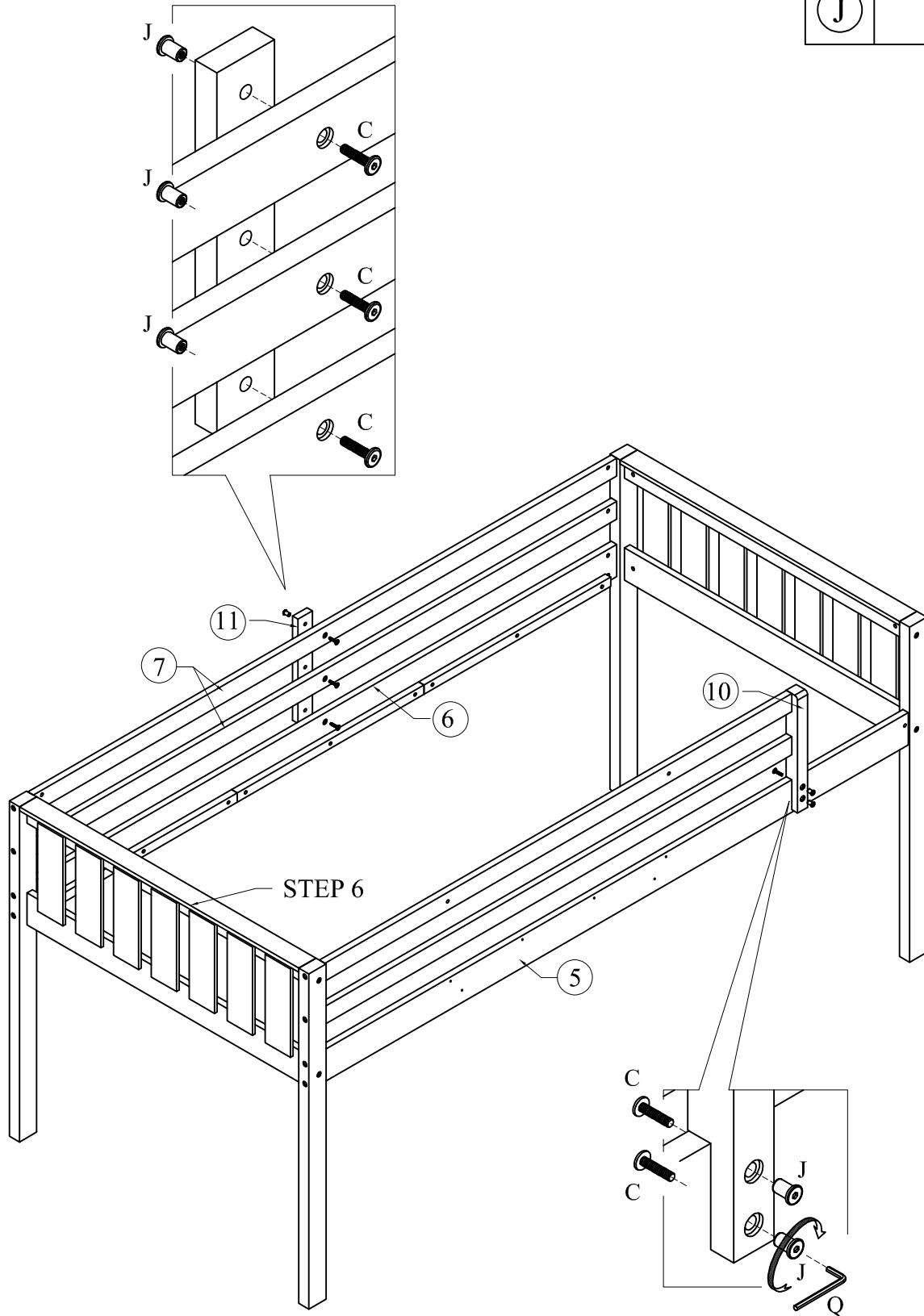
STEP 6

(A)		04
(G)		02
(H)		02
(I)		04


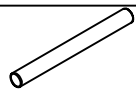


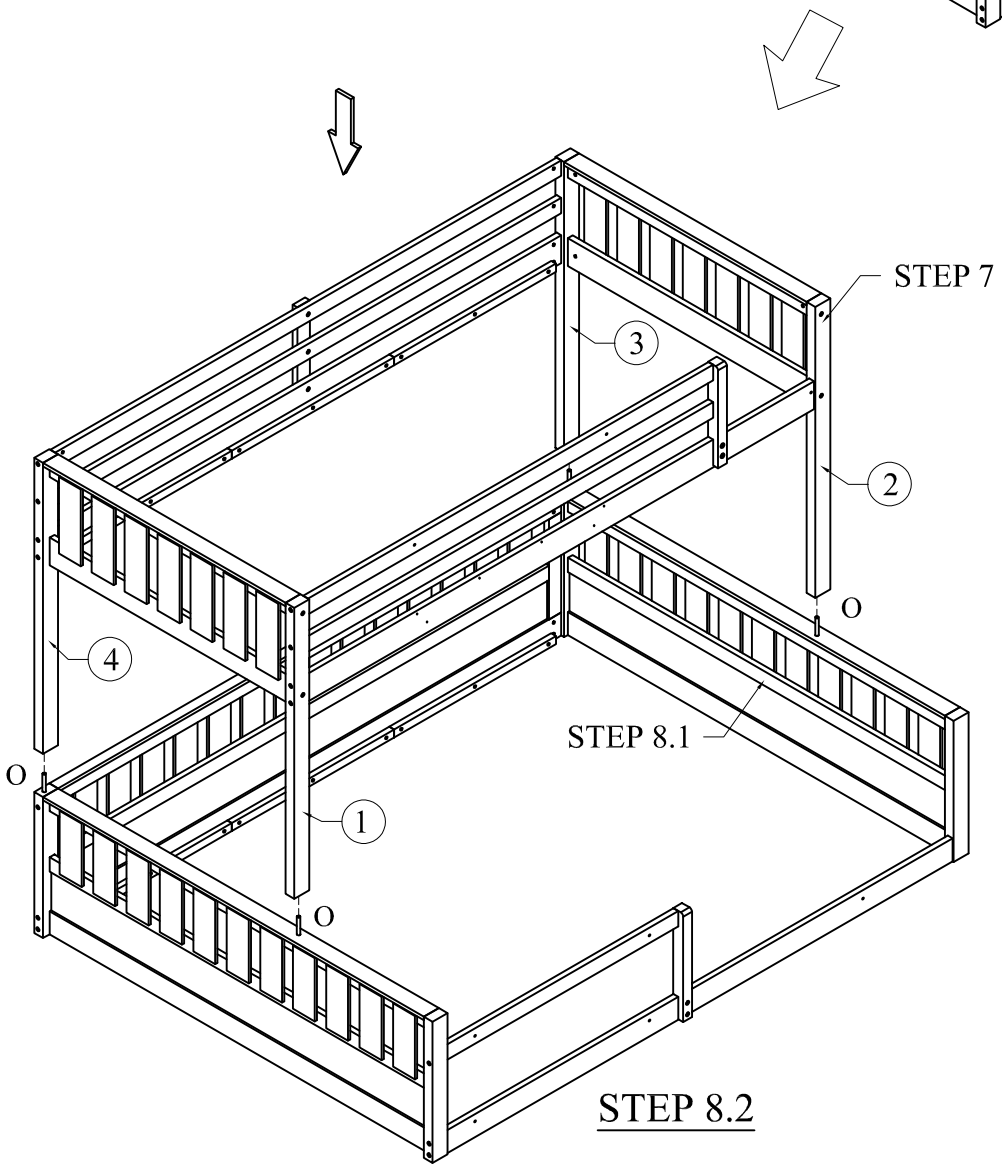
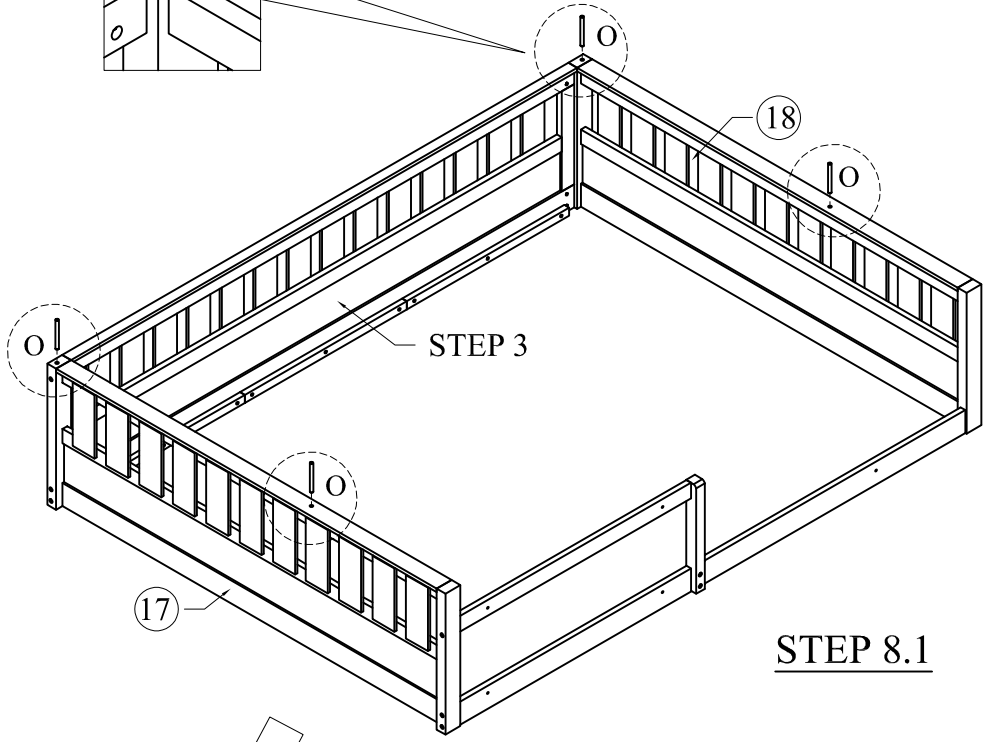
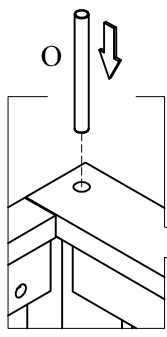
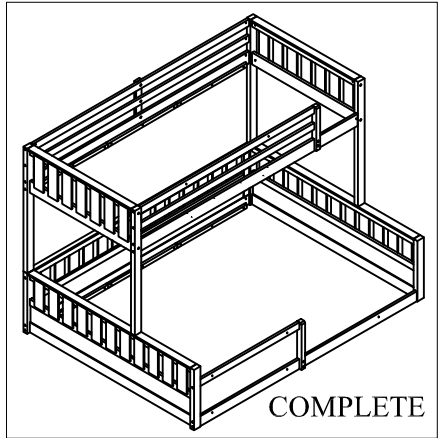
STEP 7

(C)		05
(J)		05

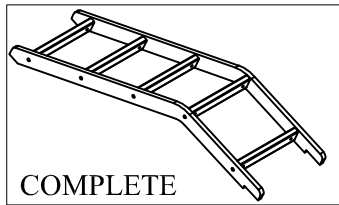


STEP 8

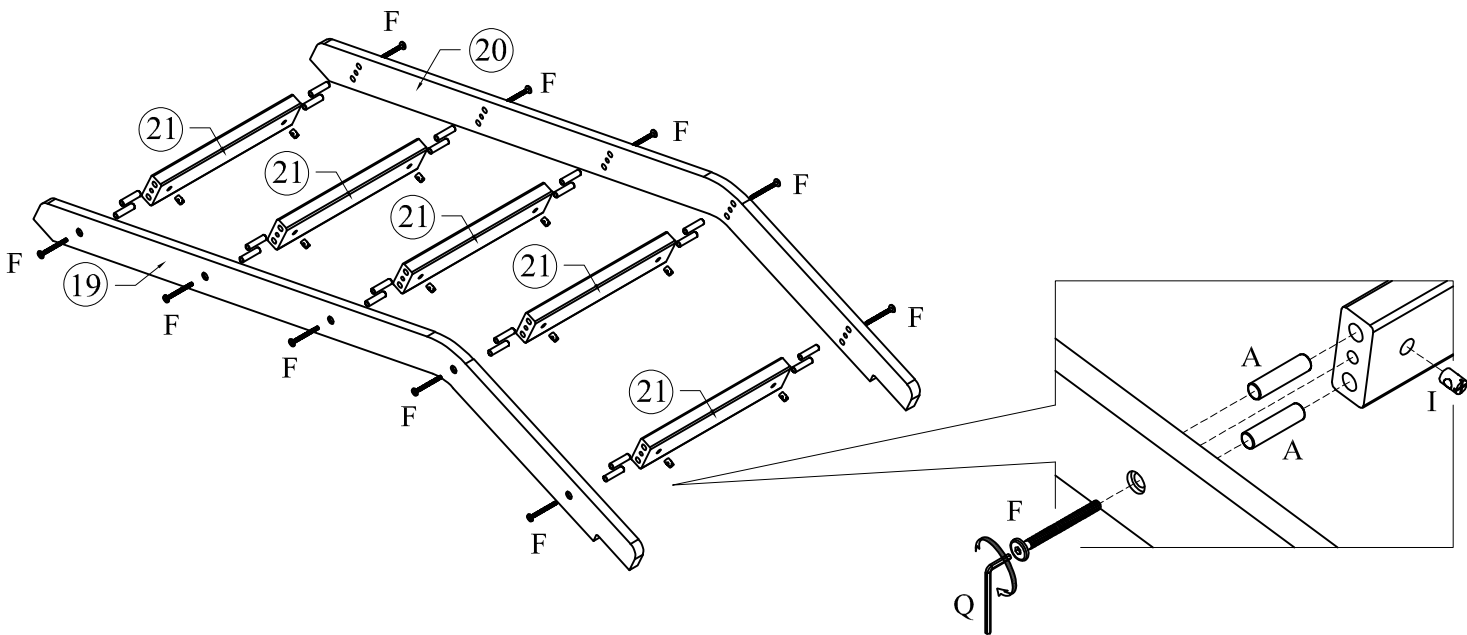
		04
---	--	----



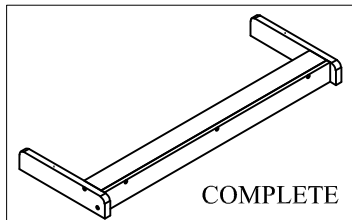
STEP 9



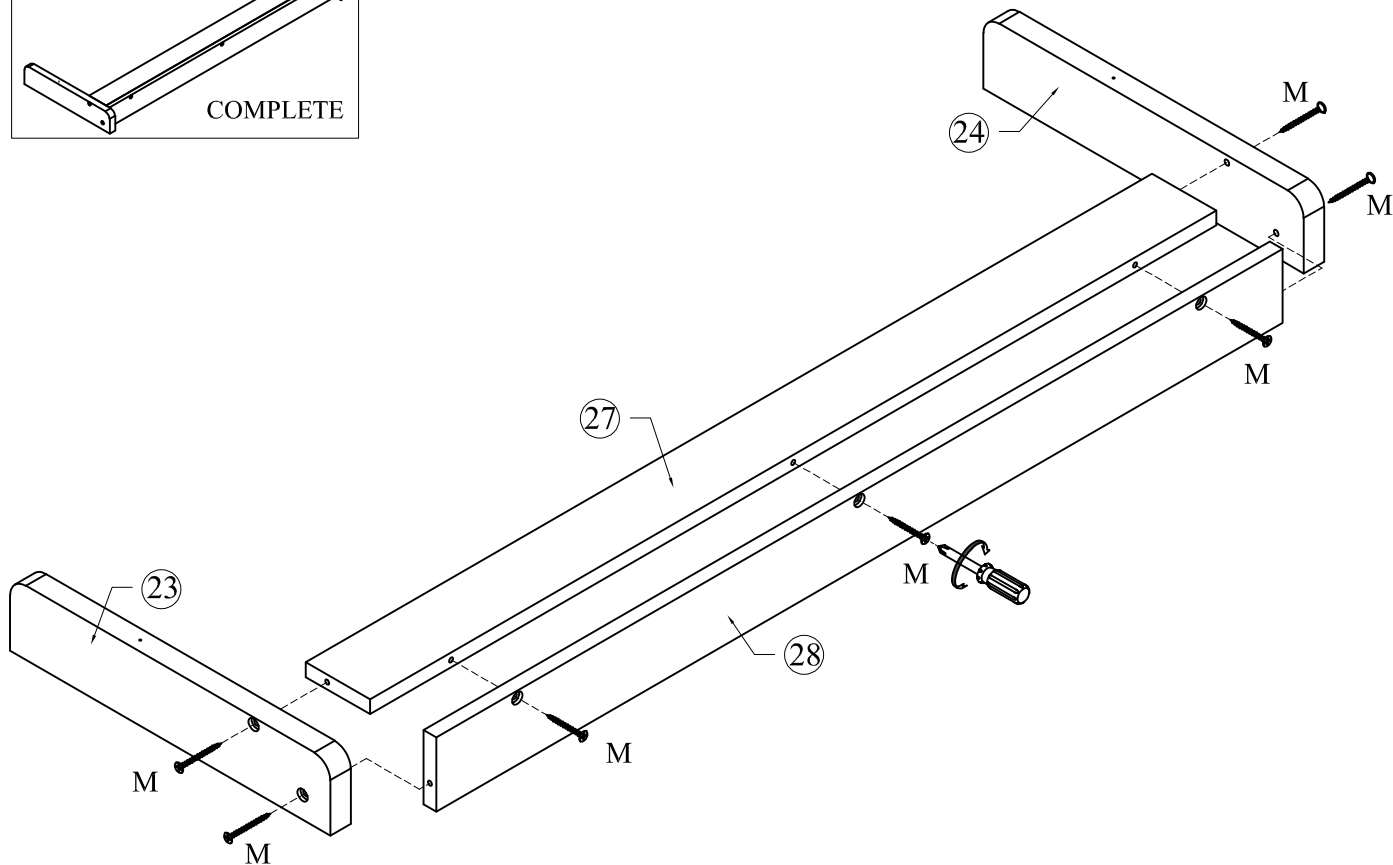
(A)		20
(F)		10
(I)		10




STEP 10



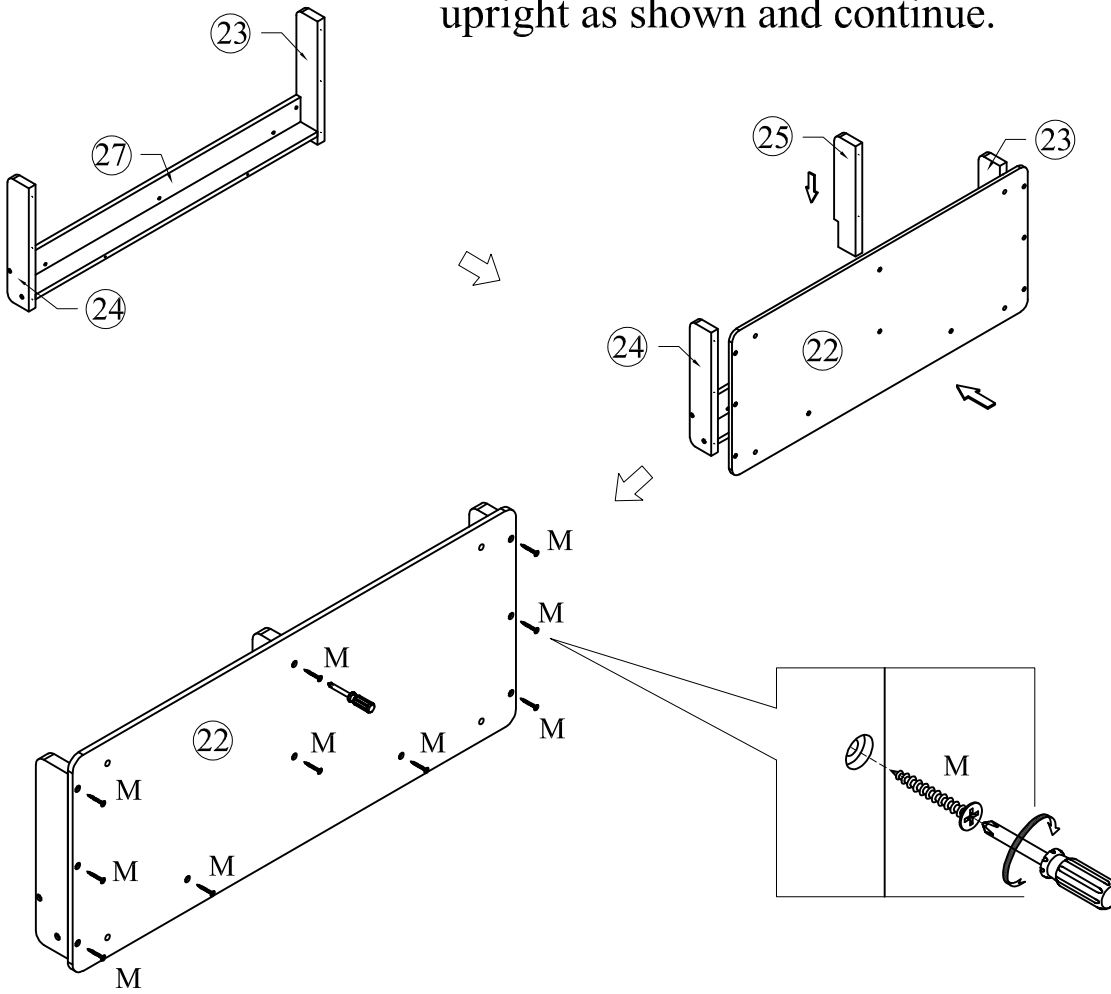
(M)		07
-----	--	----




STEP 11

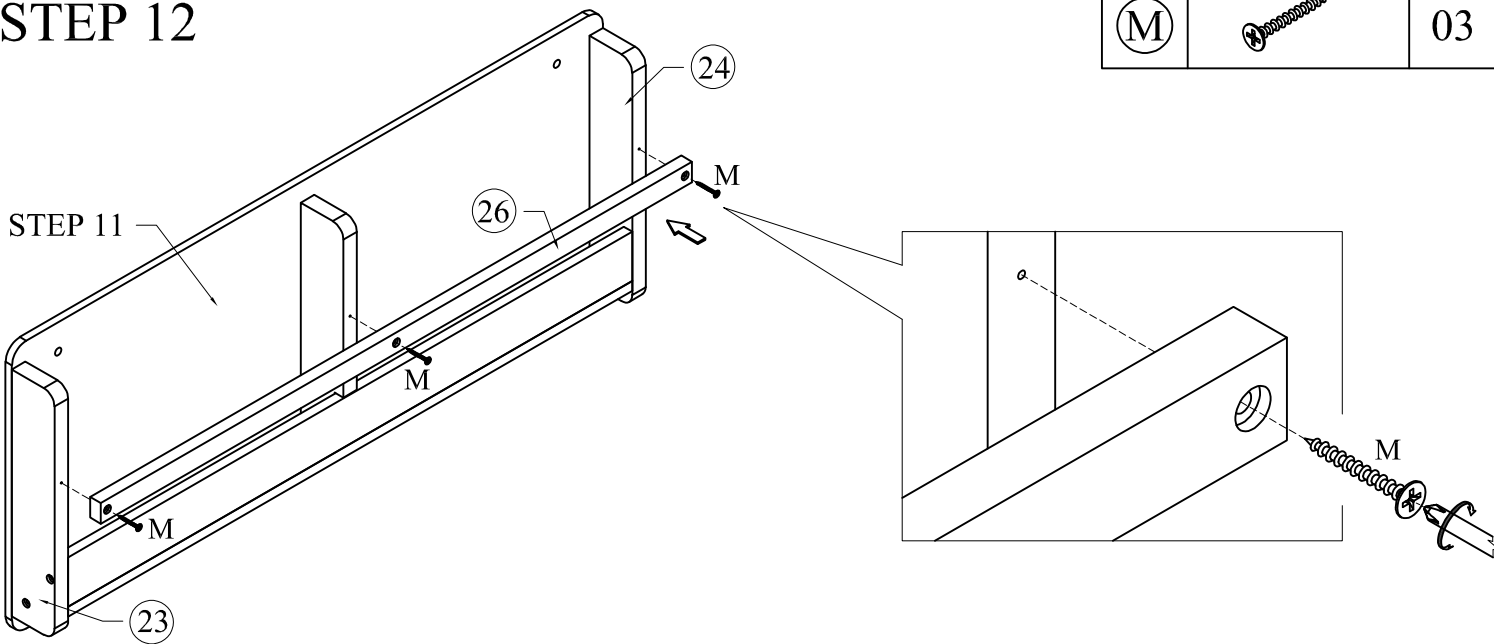
(M)		10
-----	---	----

Stand the assembled parts from step 10 upright as shown and continue.

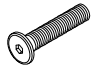


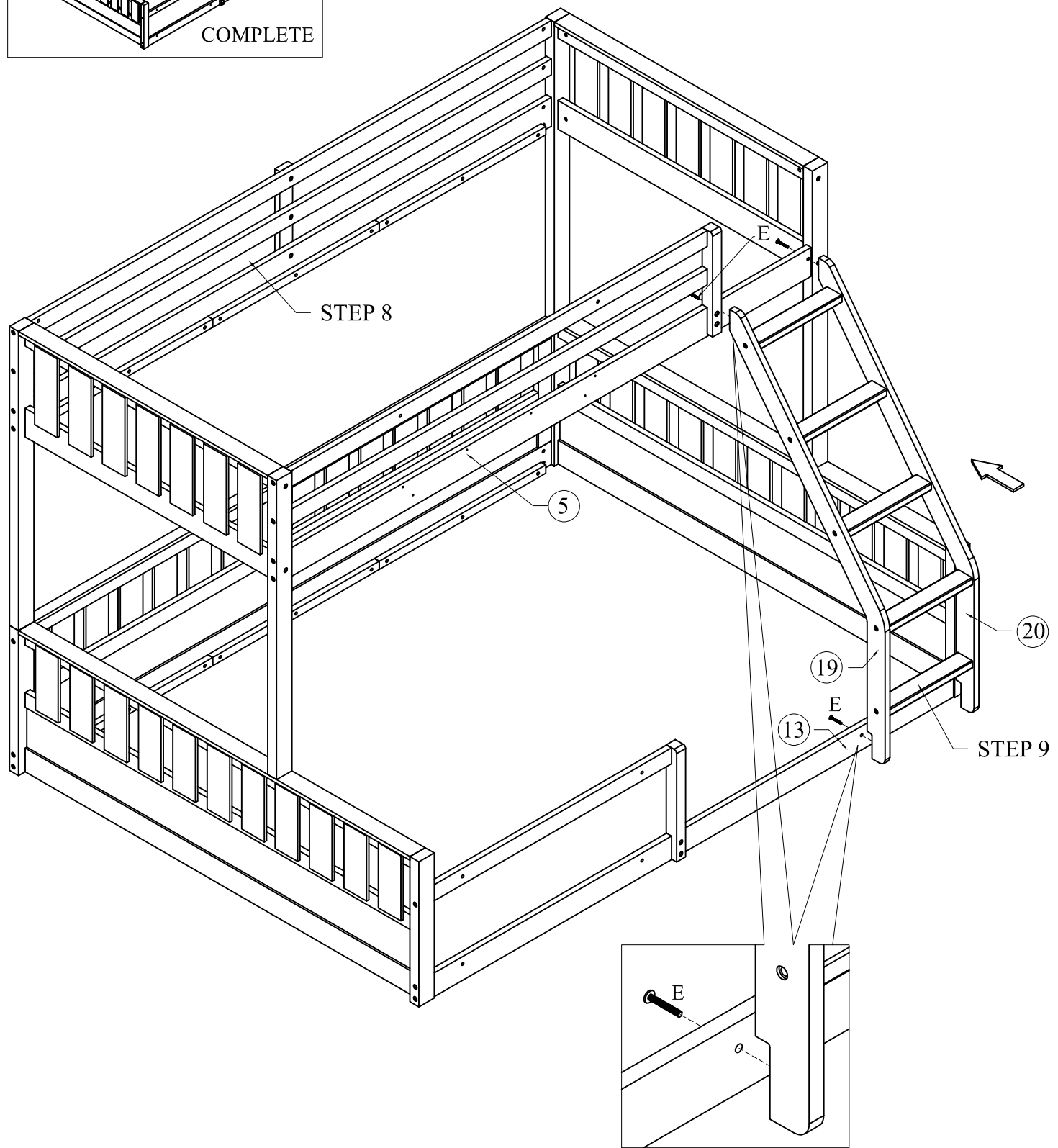
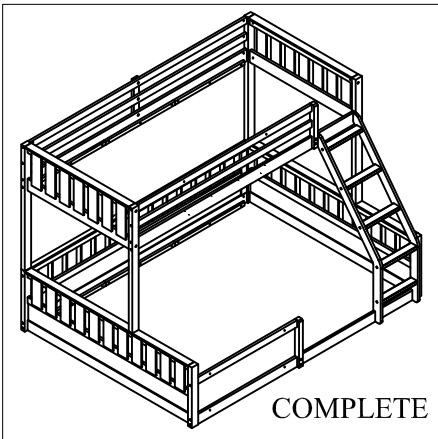
STEP 12

(M)		03
-----	---	----




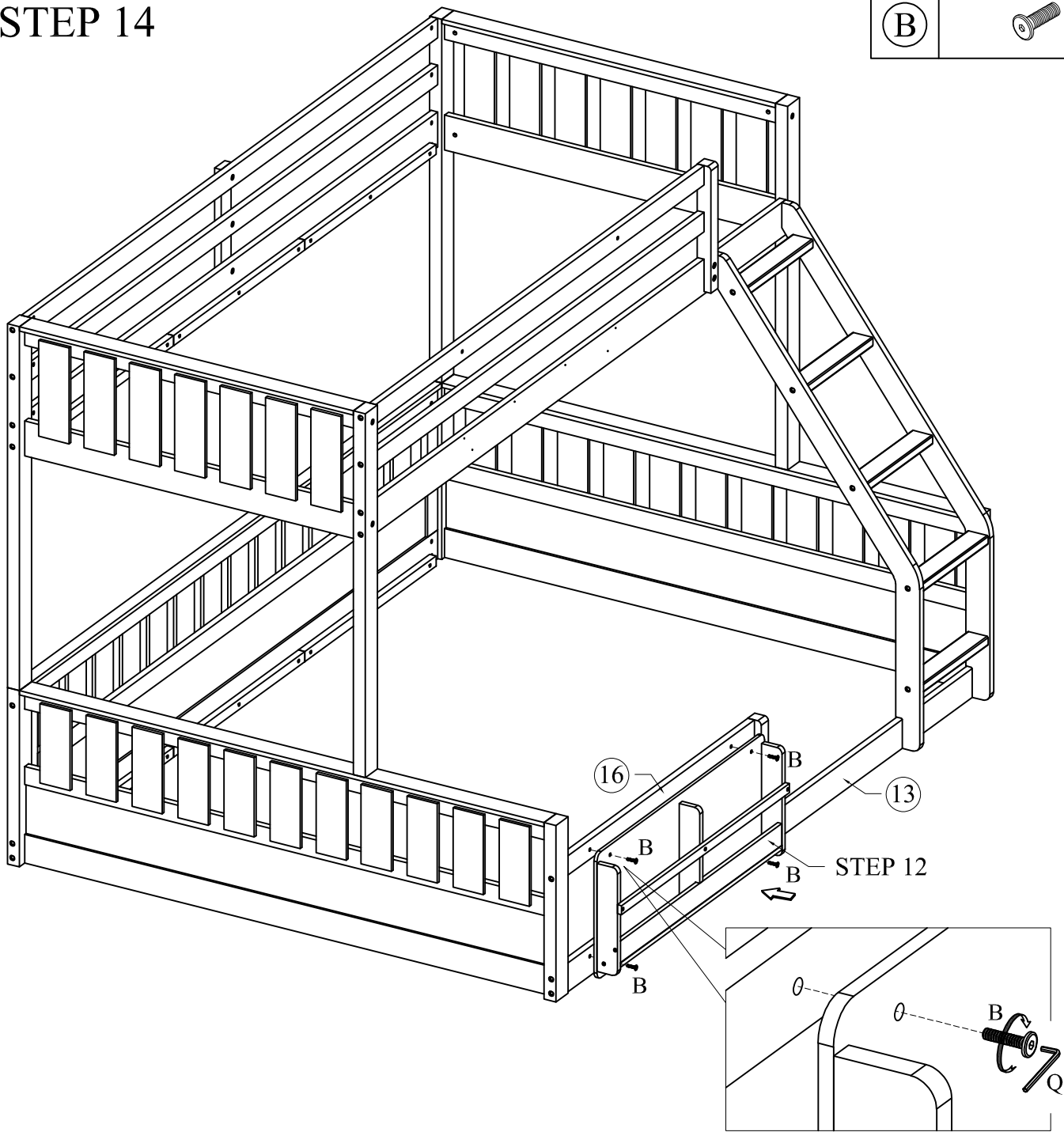
STEP 13

E		03
---	---	----




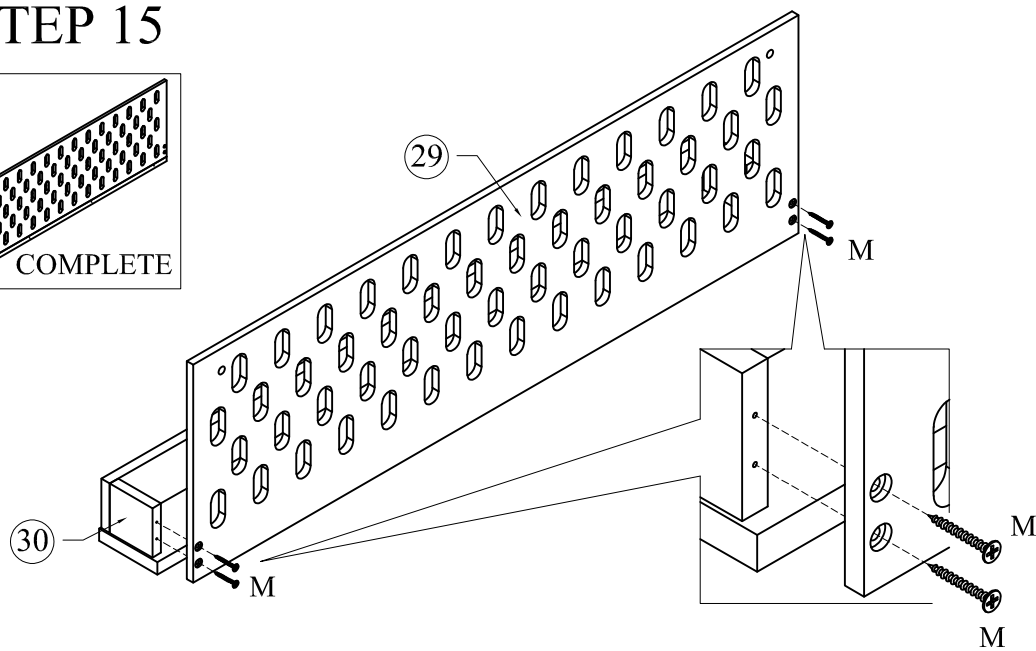
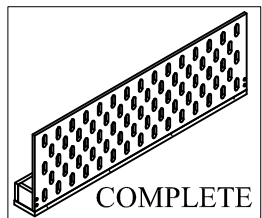
STEP 14

(B)		04
-----	---	----





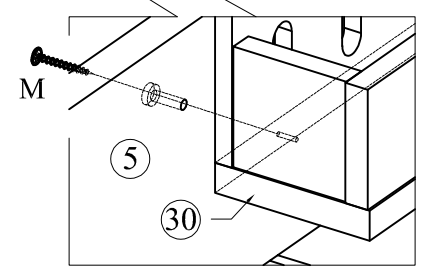
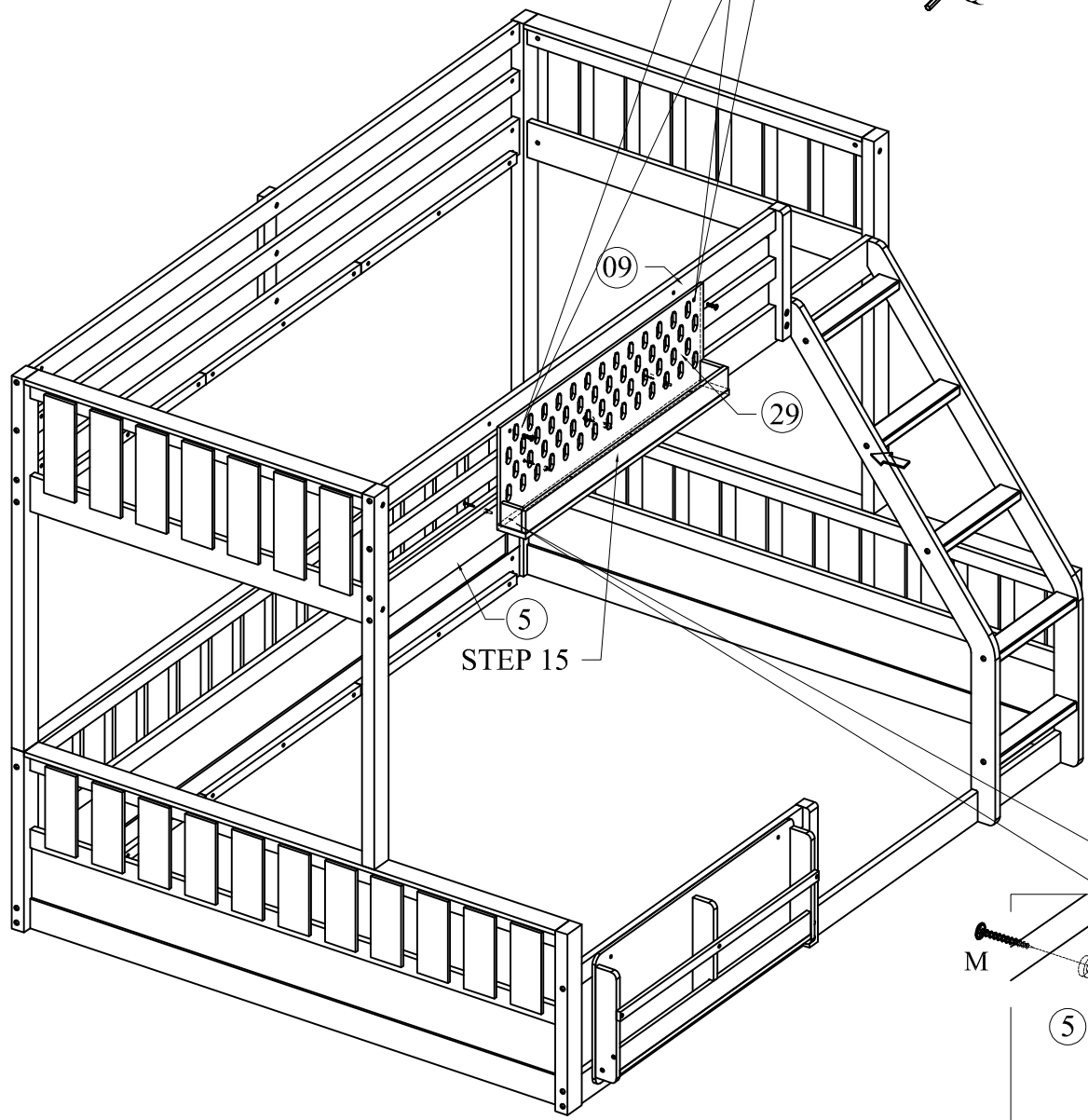
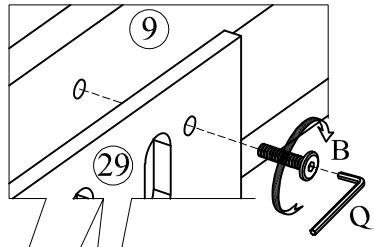
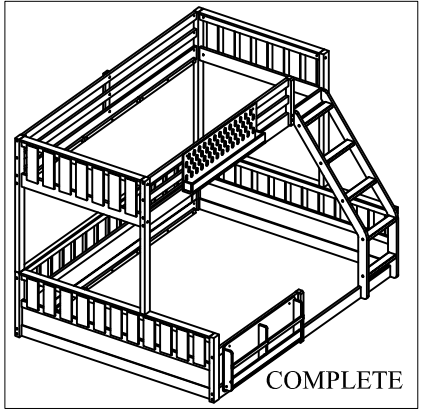
STEP 15

(M)		04
-----	---	----

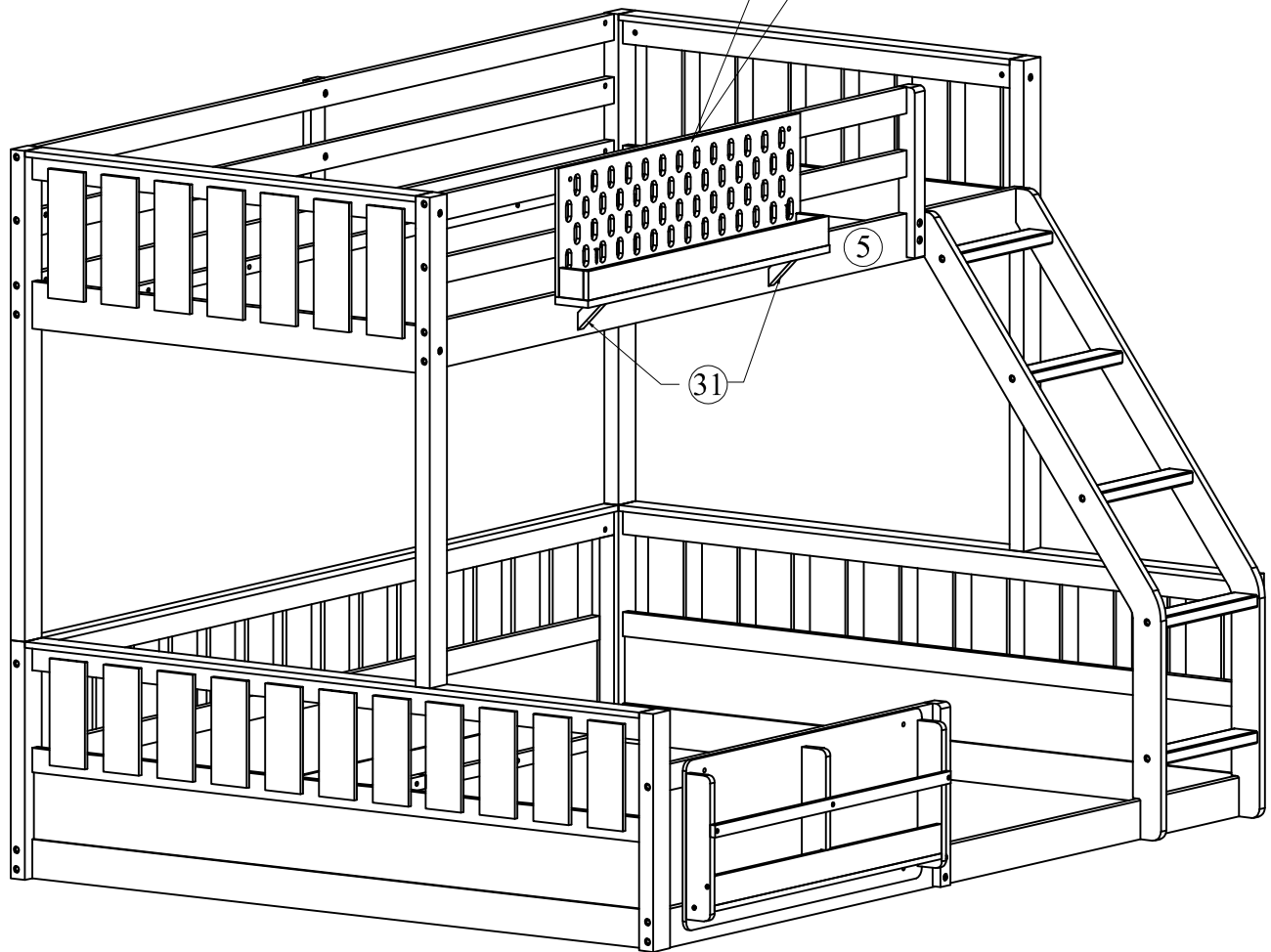
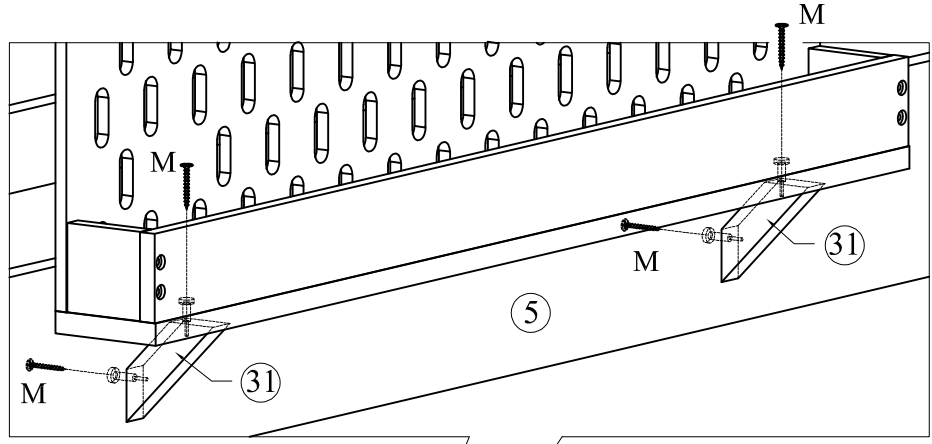
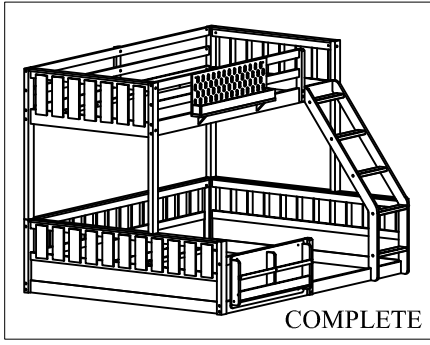


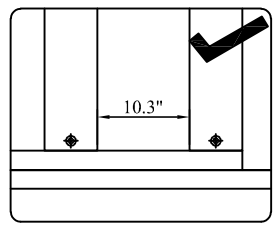
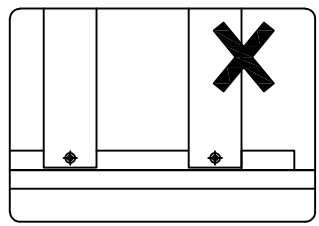
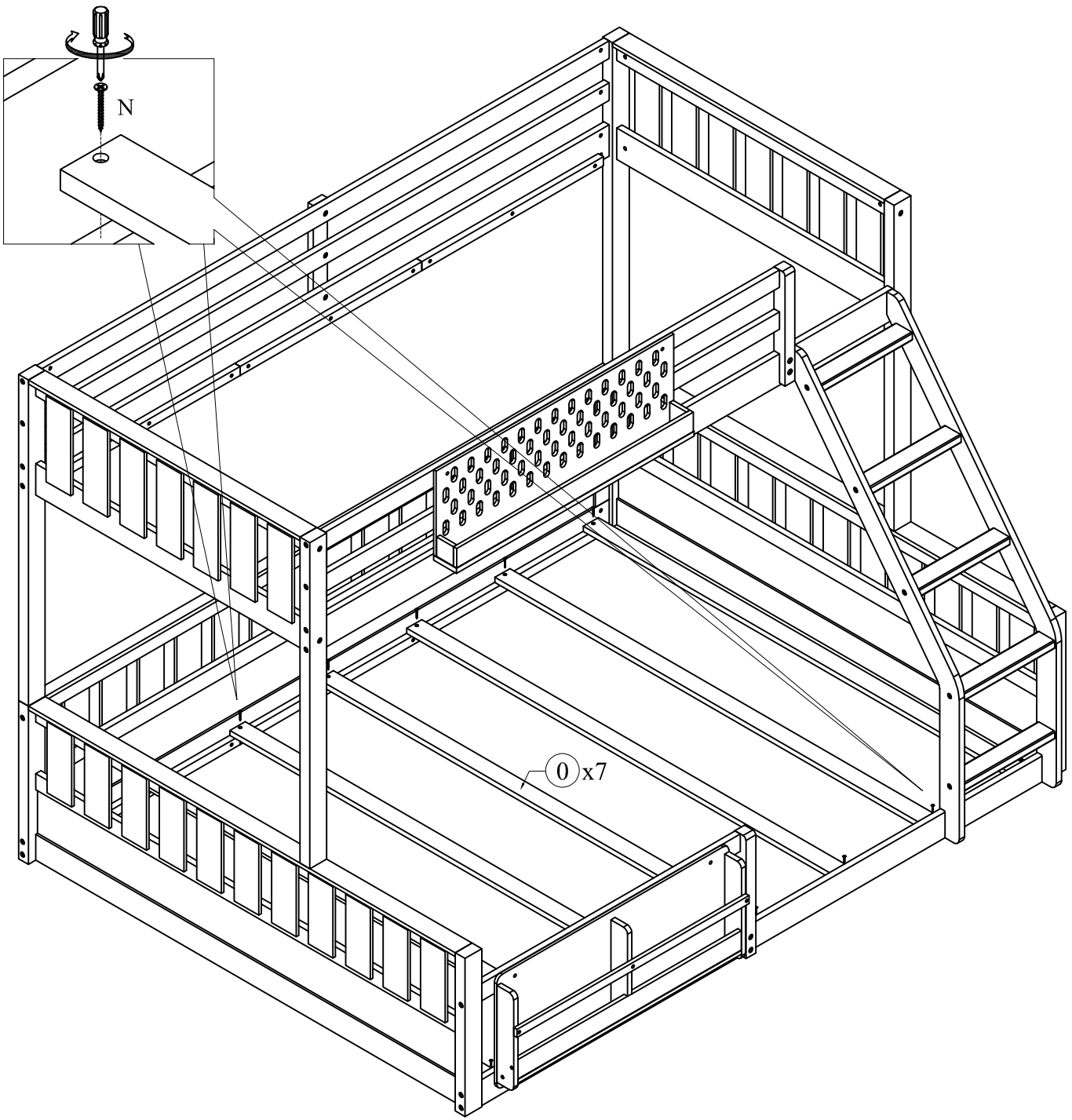
STEP 16

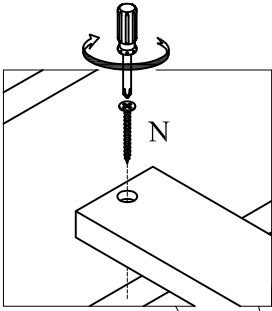
(B)		02
(M)		04



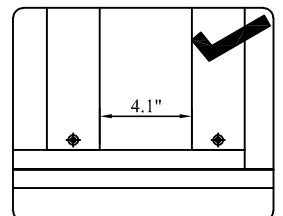
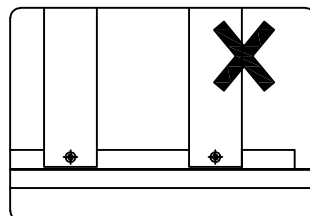
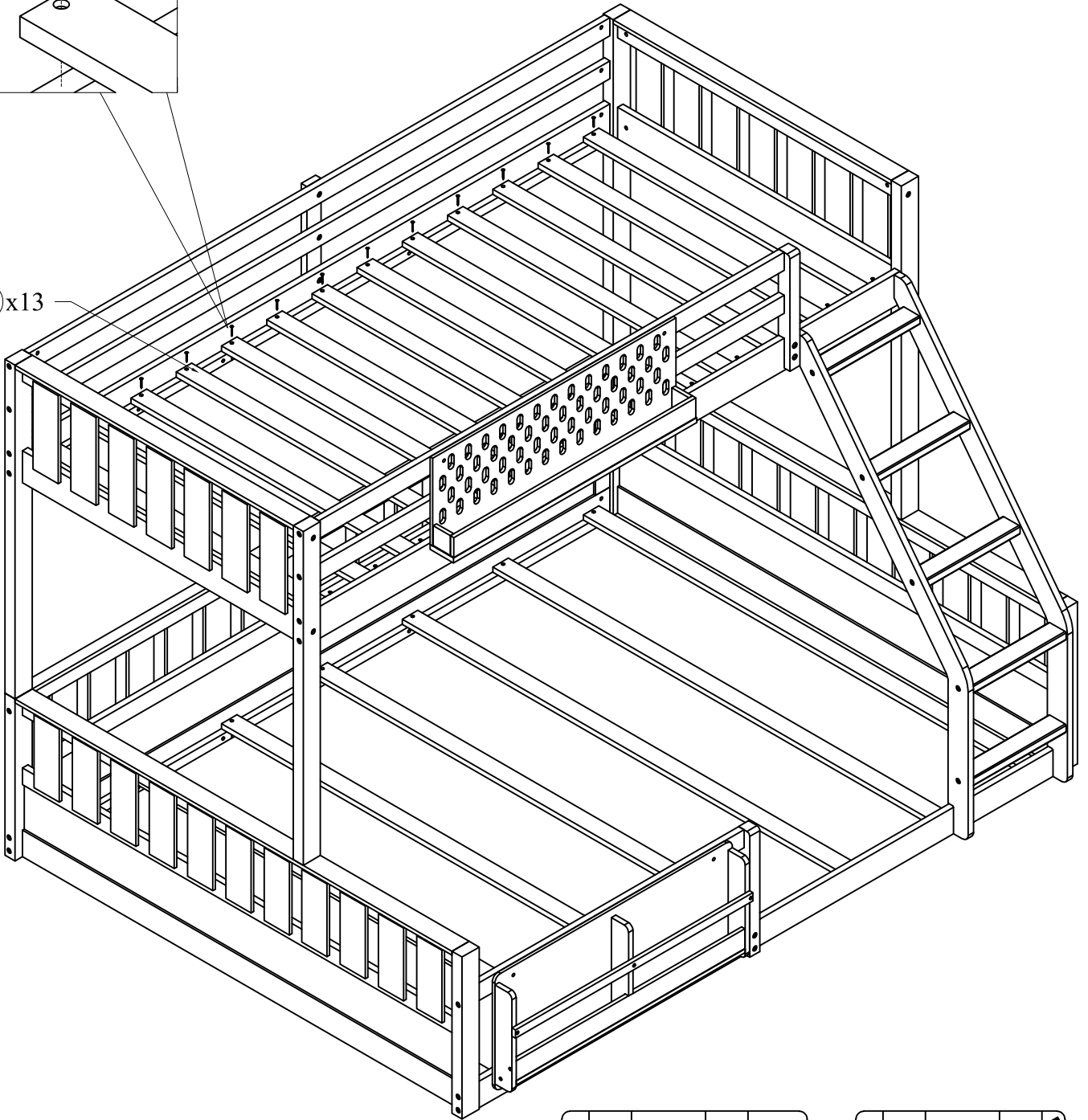
Use screws (M) to secure the shelf to the bed side panel (No. 5) at the 4 pre-drilled holes on the bed side rail.



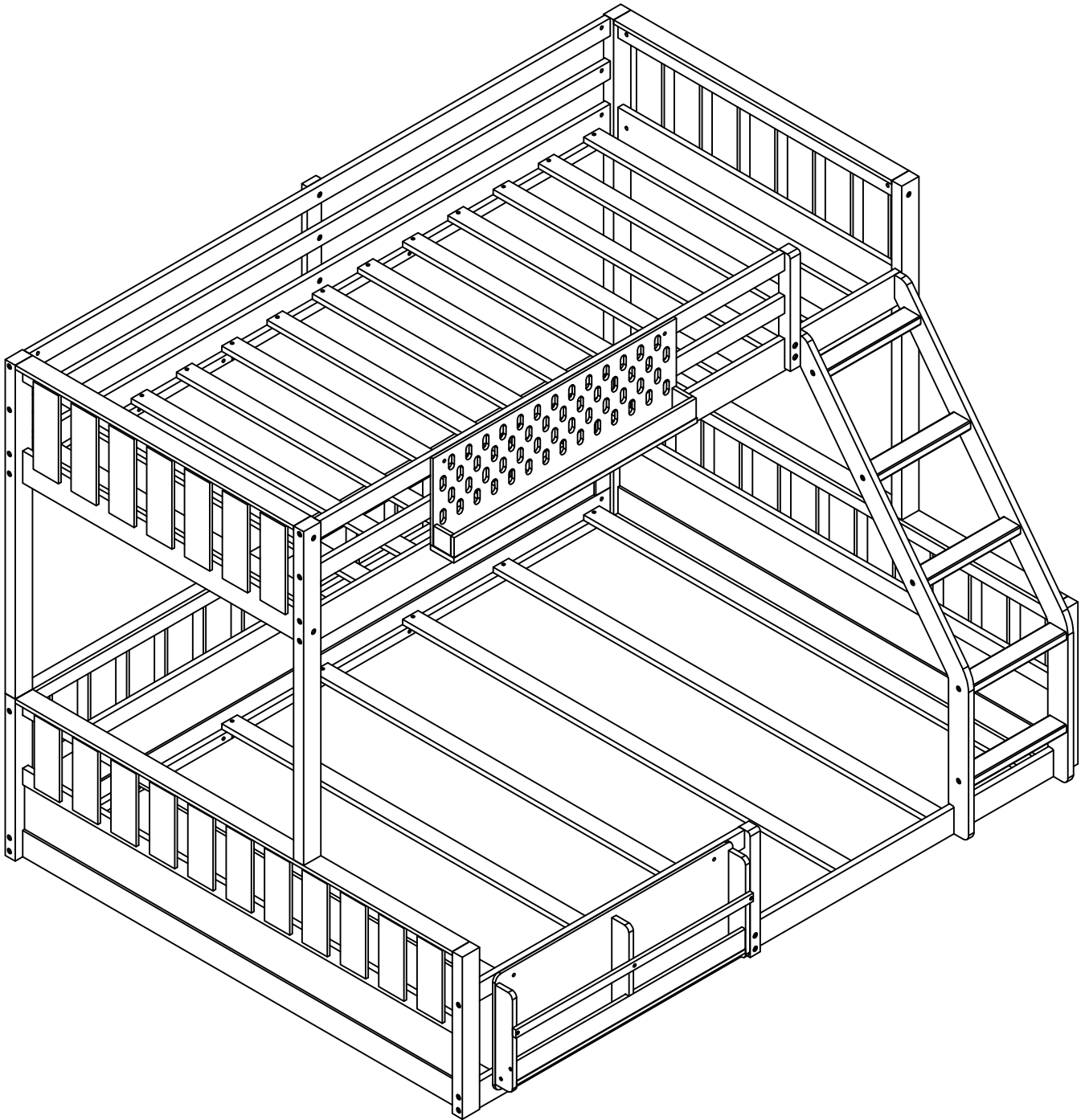




0 x13



COMPLETED



ASSEMBLY INSTRUCTION

Bel Furniture

ITEM NUMBER : CV25594 & CV25694

DESCRIPTION : BUNK BED TWIN/ QUEEN SIZE

CARING FOR YOUR FURNITURE

Fine wood furniture is a treasured possession in any home, and with good care, it can last for generations. Upholstered furniture provides us with comfort, color and texture. Who doesn't love sinking into the cushioned softness of a favorite sofa?

Fine wood furniture

Care for fine furniture with these recommendations:

Avoid heat and light. In a natural state, wood contains a surprising amount of moisture. Preserving appropriate moisture levels is key to the preservation of furniture. Accordingly, position wood furniture away from heating vents, fireplaces or radiators. Don't store furniture in attics, where temperature and humidity levels vary widely from summer to winter, day and night. Avoid placing furniture in areas where it will sit in direct sunlight, which can fade fine furniture; use drapes, sheers or protective window films to guard against the sun's rays. Protect from damage. Everyday life can be hard on wood furniture. Moisture from sweating beverage glasses leaves round rings in the finish, while the heat from a hot dish can ruin the wood finish beneath. Provide cork- or felt-bottomed coasters if you will set glasses or mugs on wood, and always use trivets to support hot serving dishes. Place mats, tablecloths or padded table covers protect dining room tables from spills or scrapes. Clean safely. Dust frequently. Occasionally, wood furniture will require heavier cleaning.

Using a natural sponge, moisten it with oil soap and wring out most of the water. Gently stroke the furniture to loosen soil. Rinse the residue from the wood with a sponge wrung out in clear water, and then dry the piece with fresh cleaning cloths. Dust furniture often with barely damp white cotton cleaning cloth. Microfiber cloths do a good job of attracting and removing fine blown-in soil. Avoid using a feather duster, as a broken quill can scratch and damage delicate finishes.

Dust damp. Dusting with a dry cloth can scratch, so lightly spritz your cleaning cloth with water, a spray dusting agent or wood polish. Never spray furniture directly, as over-spray can leave a difficult-to-remove film. Follow the grain of the wood as you dust to avoid cross-grain scratches. Frequent dusting removes dirt before it has a chance to settle in and make itself

at home.

Upholstered furniture

Dust and dirt act like sandpaper on furniture fabric, so remove it frequently. Vacuum upholstered furniture weekly; lift cushions and use the crevice tool to remove hidden crumbs beneath. Keep upholstered furniture looking new with these tips:

Flip, swap and rearrange. Being territorial creatures, most humans gravitate to their favorite places but when it's the same seat on a long sofa day after day, that preference will start to show. Flip loose cushions regularly, and rotate them on a multi-cushion unit. Similarly, rearrange upholstered furniture once or twice a year to distribute wear more evenly. Switch the position of a love seat and a sofa, or swap the positions of a set of chairs as the seasons change. Arm caps. Places where bare skin or hair come to rest —armrests, chair backs, seat cushions —are subjected to higher levels of soil and abrasion. Protect high-contact areas of upholstered furniture with arm caps tailored to fit snugly over chair and sofa arms. Slipcovers. In areas with hot summer weather, consider washable slipcovers.

Traditionally applied to furniture during the warm season, slipcovers protect against sweat, suntan oil and other summer hazards. Fabric protection. Spray-on fabric protectors coat fibers and protect upholstery from spills and stains. Fabric protectors can be applied at the mill as the fabric is processed, by the furniture retailer, or at home using commercial spray products. If you apply fabric protection yourself, read the product instructions and observe safety procedures carefully.

Caring for leather furniture

Leather upholstery can last for many years if looked after correctly. Follow these tips to take good care of leather furnishings: Keep away from heat and light. Leather furniture is very sensitive to heat and sun damage. Position it away from windows, and from heat sources such as fireplaces, radiators and central heating vents. Uncoated leathers.

Furniture made from uncoated leathers should be dusted frequently. An art gum eraser may remove some stains or deposits safely, but do not use leather creams, conditioners or saddle soap on uncoated leather, since these products commonly, leather creams or conditioners may be used to clean coated leather once or twice a year. Test leather cleaners in an inconspicuous spot before using. Avoid unsuitable products. Never use oil, furniture polish, dusting sprays or ordinary stain removers on leather.

MADE IN VIETNAM