

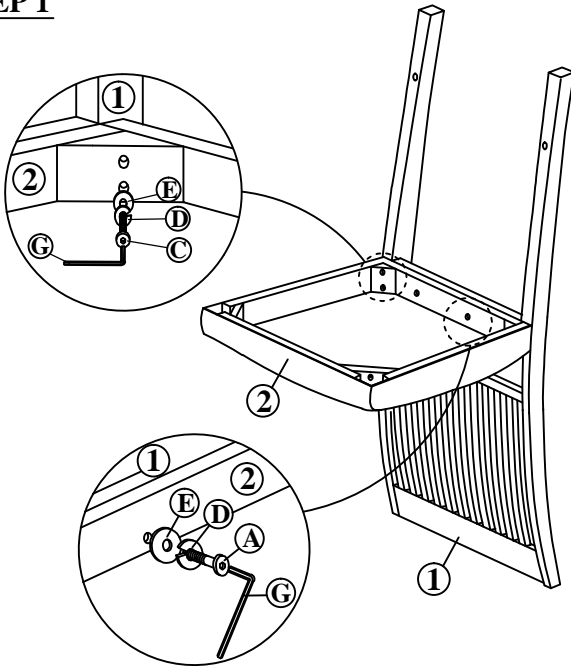
ASSEMBLY INSTRUCTION

MODEL: DM 22084 - PC

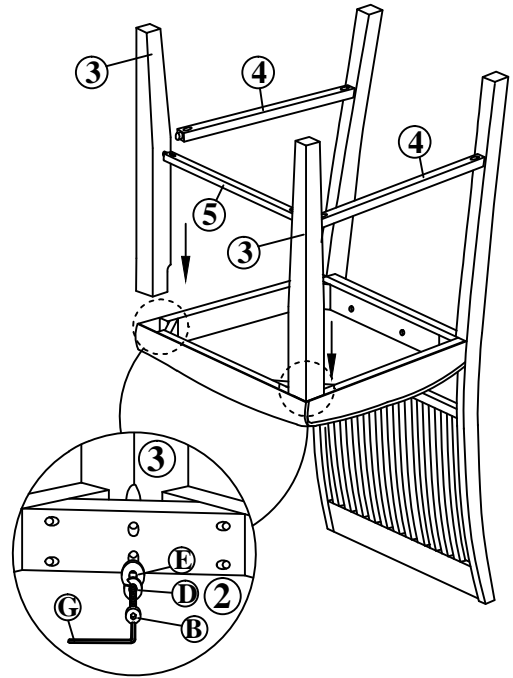
NO	PARTS LIST	QTY
1	CHAIR BACK	1PC
2	SEAT FRAME	1PC
3	FRONT LEG	2PCS
4	FRONT STRECHER	1PC
5	SIDE STRECHER	2PCS

NO	HARDWARE LIST		QTY
A		JCBC M6 x 35mm	2PCS
B		JCBC M6 x 60mm	4PCS
C		JCBC M6 x 80mm	4PCS
D		SPRING WASHER	10PCS
E		FLAT WASHER 19mm	10PCS
F		CSK SCREW M4 x 32mm	6PCS
G		M4 ALLEN KEY	1PC

STEP 1



STEP 2



STEP 3

