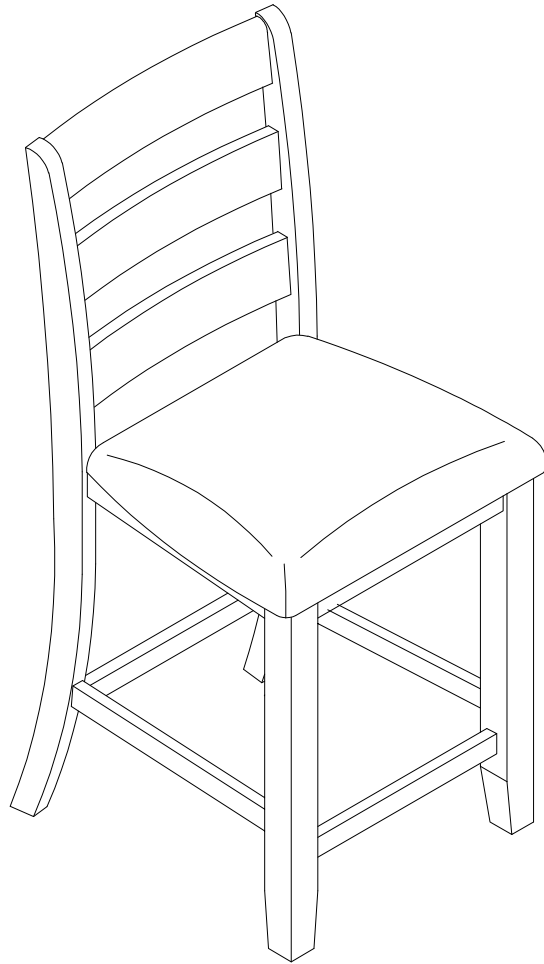




DV22068/DV22168-PCH
PUB CHAIR

ASSEMBLY INSTRUCTION



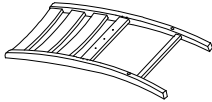
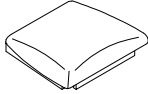
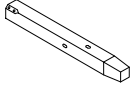
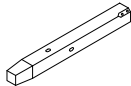
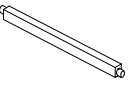
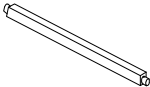
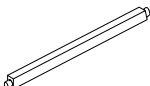
ASSMBLY TIPS:

1. Remove hardware from box and sort by size
2. Please check to see that all hardware and parts are present prior to start of assembly.
3. Please follow attached instructions in the same sequence as numbered to assure fast & easy assembly.








**Warning!**

1. Don't attempt to repair or modify parts that are broken or defective, Please contact the store immediately.
2. This product is for home use only and not intended for commercial establishment.

PARTS IDENTIFICATION

| | | | |
|---|---|-------------------------|------|
| A |  | CHAIR BACK | 1 PC |
| B |  | CUSHION WITH SEAT FRAME | 1 PC |
| C |  | RIGHT FRONT LEG | 1 PC |
| D |  | LEFT FRONT LEG | 1 PC |
| E |  | FRONT STRETCHER | 1 PC |
| F |  | RIGHT STRETCHER | 1 PC |
| G |  | LEFT STRETCHER | 1 PC |

HARDWARE IDENTIFICATION

| | | | |
|---|---|------------------------|--------|
| 1 |  | BOLT Ø1/4"×3" | 4 PCS |
| 2 |  | BOLT Ø1/4"×2-3/8" | 4 PCS |
| 3 |  | BOLT Ø1/4"×1-1/2" | 2 PCS |
| 4 |  | LOCK WASHER Ø1/4" | 10 PCS |
| 5 |  | FLAT WASHER Ø1/4"×16MM | 10 PCS |
| 6 |  | SCREW #4 x 1-3/4" | 6 PCS |
| 7 |  | WRENCH 4MM | 1 PC |

ASSMBLY TIPS:

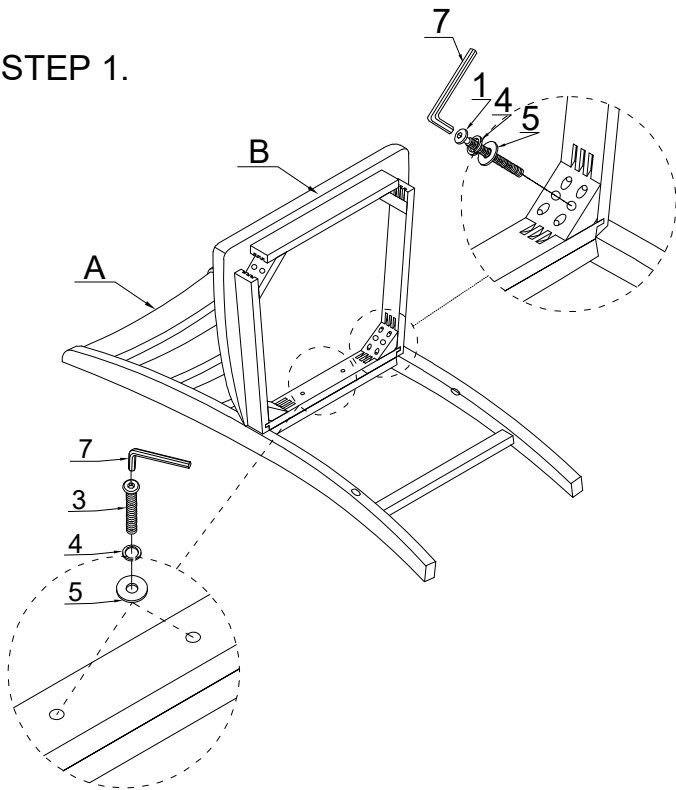
1. Remove hardware from box and sort by size
2. Please check to see that all hardware and parts are present prior to start of assembly.
3. Please follow attached instructions in the same sequence as numbered to assure fast & easy assembly.



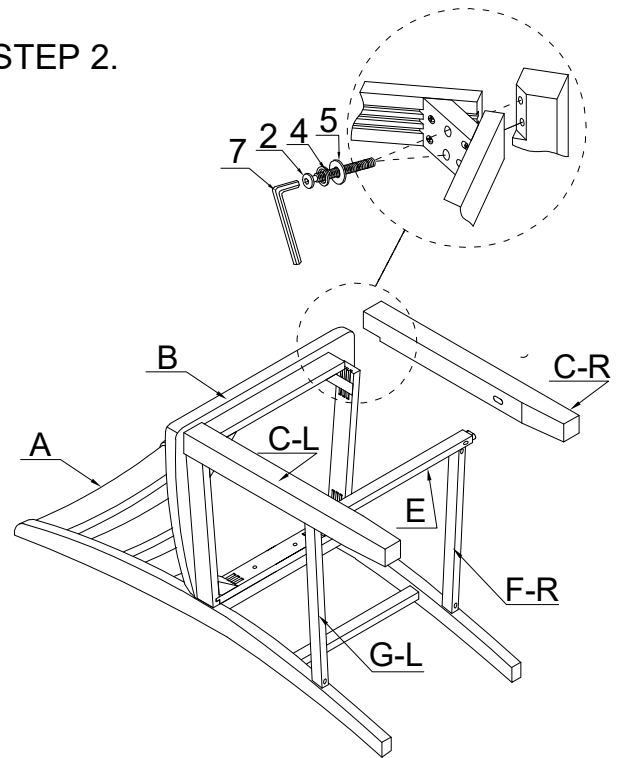
Warning!

1. Don't attempt to repair or modify parts that are broken or defective, Please contact the store immediately.
2. This product is for home use only and not intended for commercial establishment.

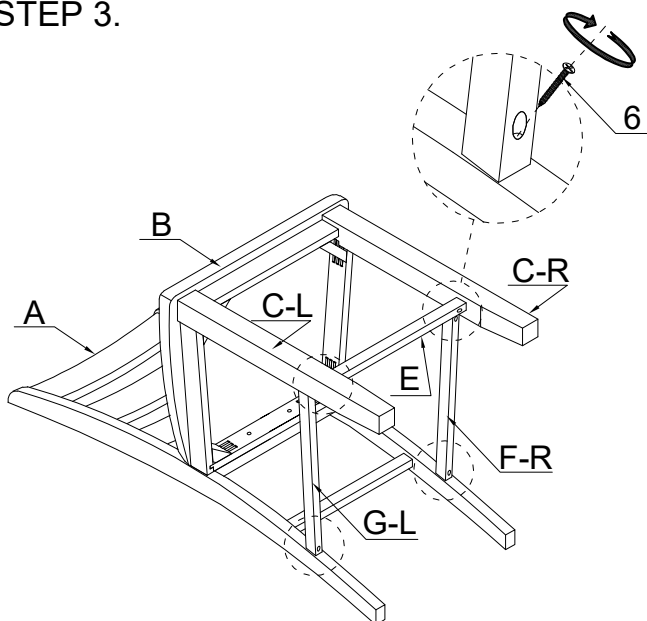
STEP 1.



STEP 2.



STEP 3.



FINISH.

