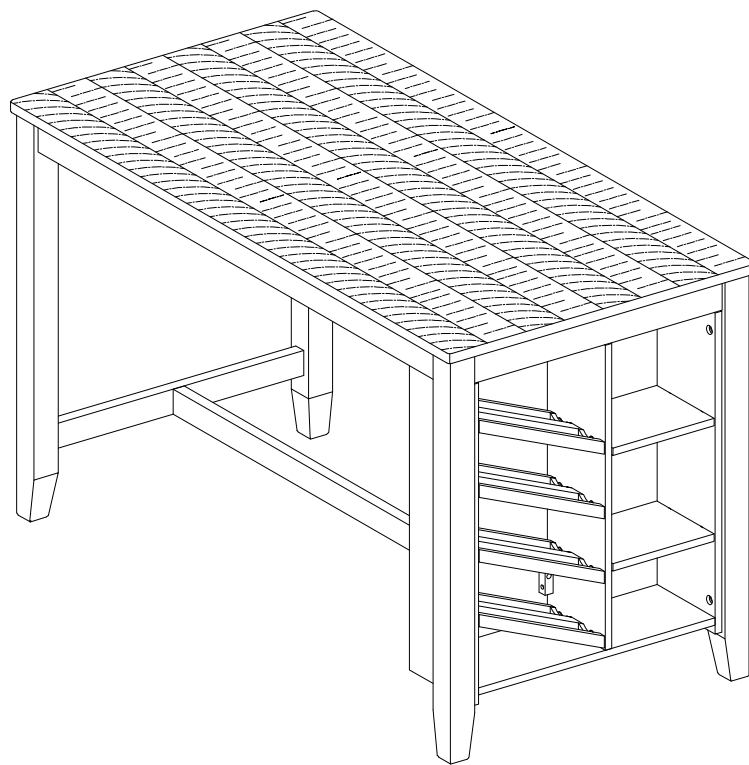




DV22068/DV22168-PT
PUB TABLE

ASSEMBLY INSTRUCTION



ASSMBLY TIPS:

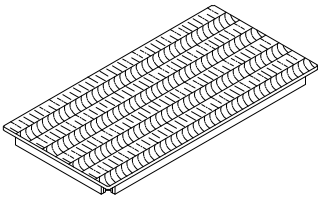
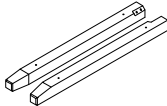
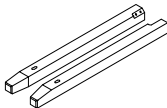
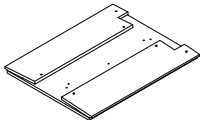
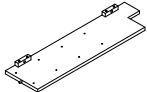
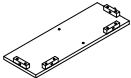
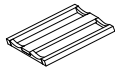
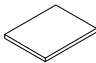
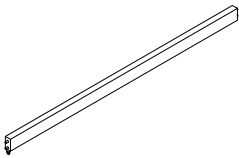
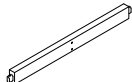
1. Remove hardware from box and sort by size
2. Please check to see that all hardware and parts are present prior to start of assembly.
3. Please follow attached instructions in the same sequence as numbered to assure fast & easy assembly.



Warning!

1. Don't attempt to repair or modify parts that are broken or defective, Please contact the store immediately.
2. This product is for home use only and not intended for commercial establishment.

PARTS IDENTIFICATION

A		TABLE TOP	1 PC
B		FRONT TABLE LEG (L/R)	2 PCS
C		BACK TABLE LEG (L/R)	2 PCS
D		BACK PANEL	1 PC
E		MIDDLE PANEL	1 PC
F		BOTTOM PANEL	1 PC
G		SHELF ALCOHOL	4 PCS
H		SHELF	2 PCS
I		LONG STRETCHER	1 PC
K		SHORT STRETCHER	1 PC

ASSMBLY TIPS:









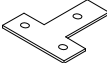




1. Remove hardware from box and sort by size
2. Please check to see that all hardware and parts are present prior to start of assembly.
3. Please follow attached instructions in the same sequence as numbered to assure fast & easy assembly.



Warning!

1. Don't attempt to repair or modify parts that are broken or defective, Please contact the store immediately.
2. This product is for home use only and not intended for commercial establishment.

HARDWARE IDENTIFICATION

1		BOLT Ø5/16"*2-3/4"	8 PCS
2		BOLT Ø1/4"*1-3/8"	12 PCS
3		BOLT Ø1/4"*1/2"	1 PC
4		LOCK WASHER Ø5/16"	8 PCS
5		FLAT WASHER Ø5/16"*16MM	8 PCS
6		LOCK WASHER Ø1/4"	13 PCS
7		FLAT WASHER Ø1/4"*16MM	13 PCS
8		PASS	24 PCS
9		PASS T	1 PC
10		SCREW #3 x 1/2"	27 PCS
11		SCREW #4 x 1"	2 PCS
12		SCREW #4 x 1-3/4"	2 PCS
13		WRENCH 4MM	1 PC

ASSMBLY TIPS:

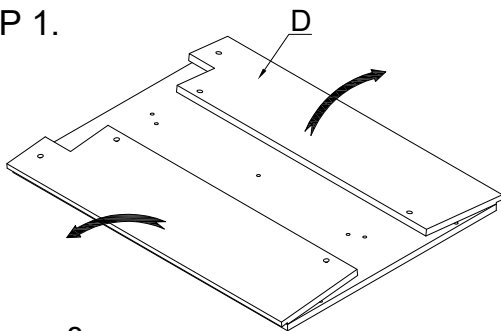
1. Remove hardware from box and sort by size
2. Please check to see that all hardware and parts are present prior to start of assembly.
3. Please follow attached instructions in the same sequence as numbered to assure fast & easy assembly.



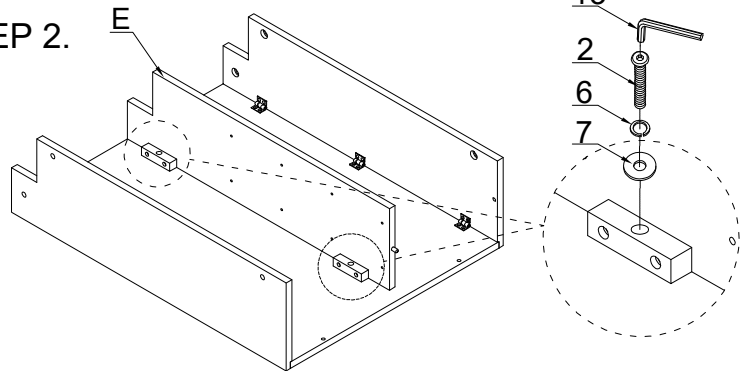
Warning!

1. Don't attempt to repair or modify parts that are broken or defective, Please contact the store immediately.
2. This product is for home use only and not intended for commercial establishment.

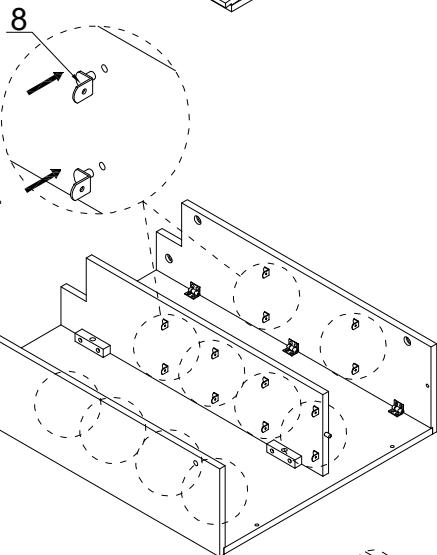
STEP 1.



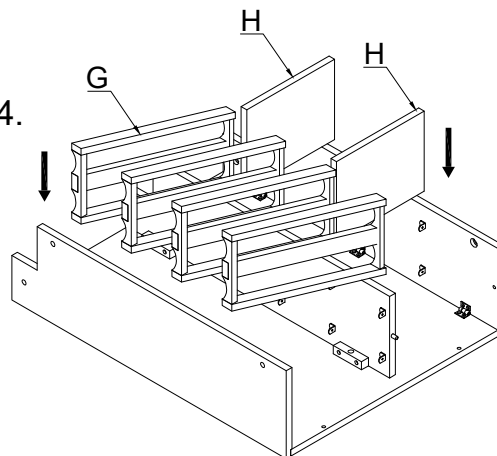
STEP 2.



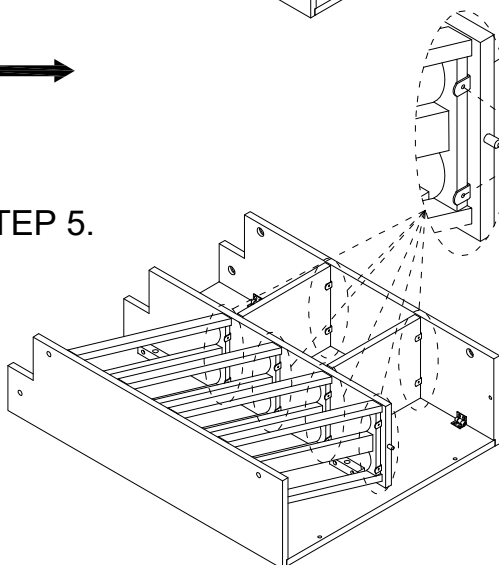
STEP 3.



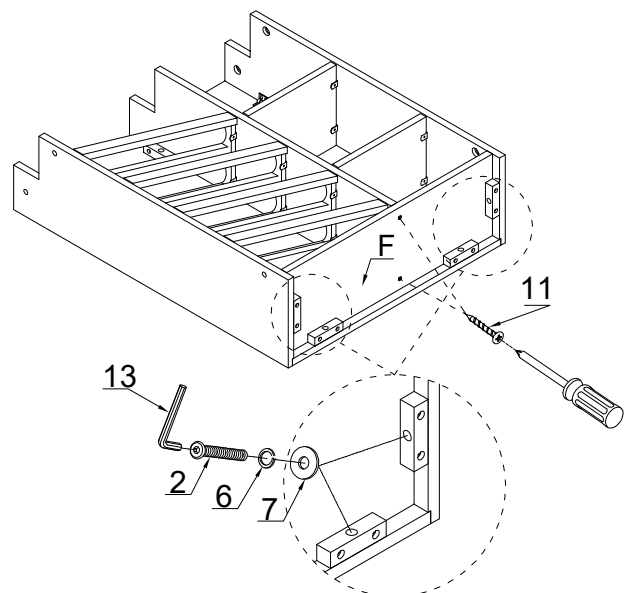
STEP 4.



STEP 5.



STEP 6.



ASSMBLY TIPS:

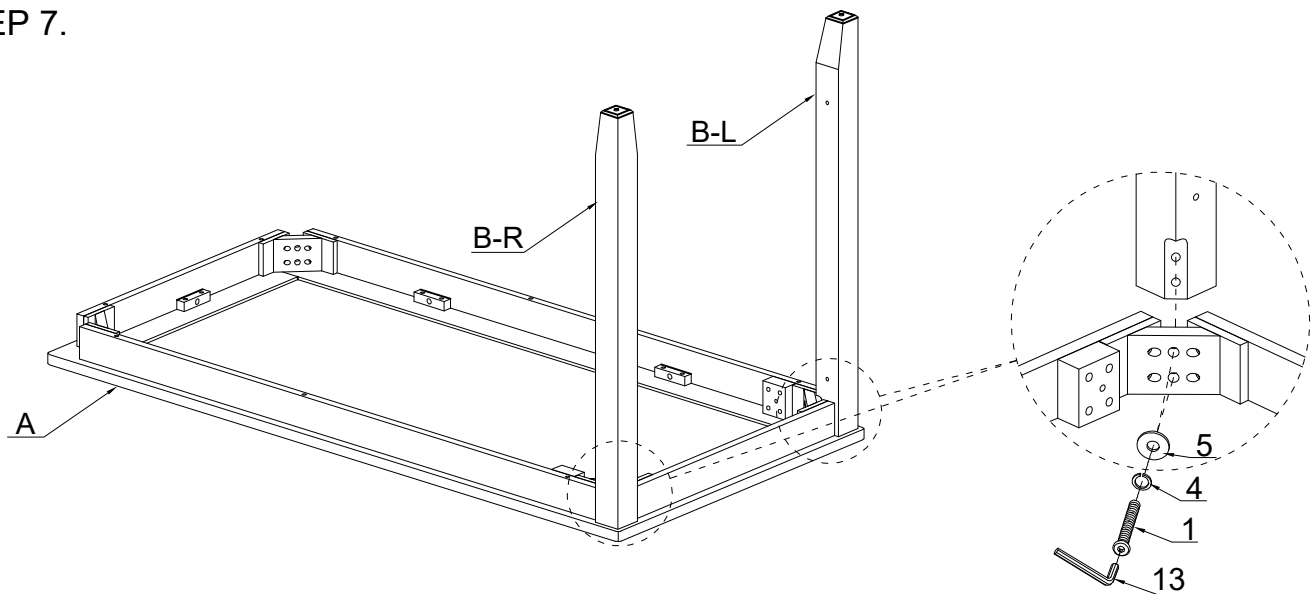
1. Remove hardware from box and sort by size
2. Please check to see that all hardware and parts are present prior to start of assembly.
3. Please follow attached instructions in the same sequence as numbered to assure fast & easy assembly.



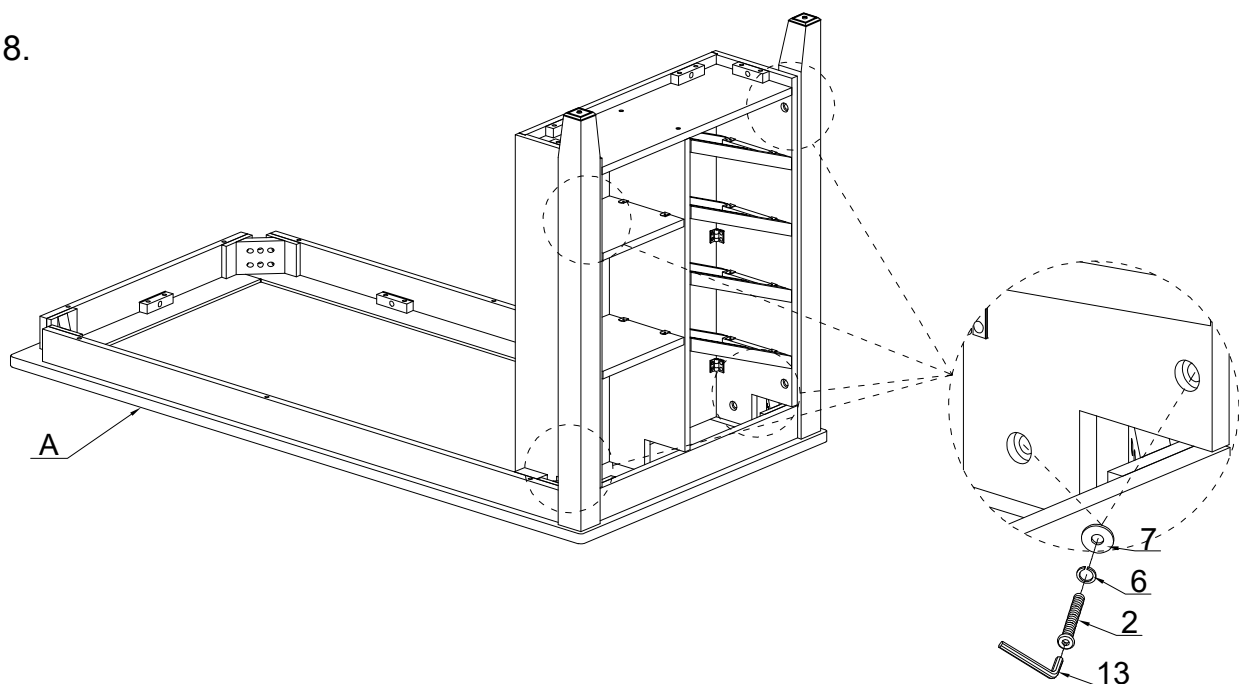
Warning!

1. Don't attempt to repair or modify parts that are broken or defective, Please contact the store immediately.
2. This product is for home use only and not intended for commercial establishment.

STEP 7.



STEP 8.



ASSMBLY TIPS:

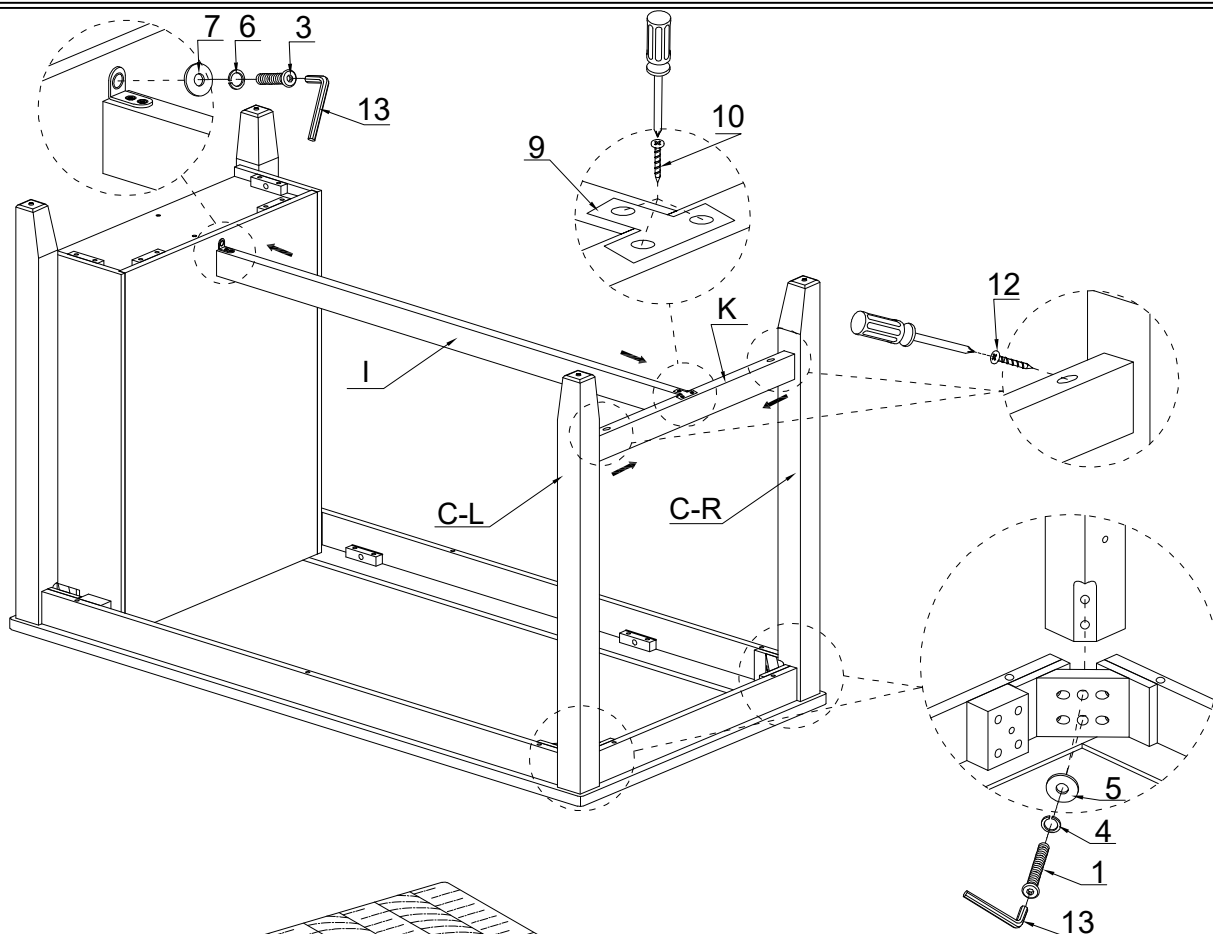
1. Remove hardware from box and sort by size
2. Please check to see that all hardware and parts are present prior to start of assembly.
3. Please follow attached instructions in the same sequence as numbered to assure fast & easy assembly.



Warning!

1. Don't attempt to repair or modify parts that are broken or defective, Please contact the store immediately.
2. This product is for home use only and not intended for commercial establishment.

STEP 9.



FINISH.

