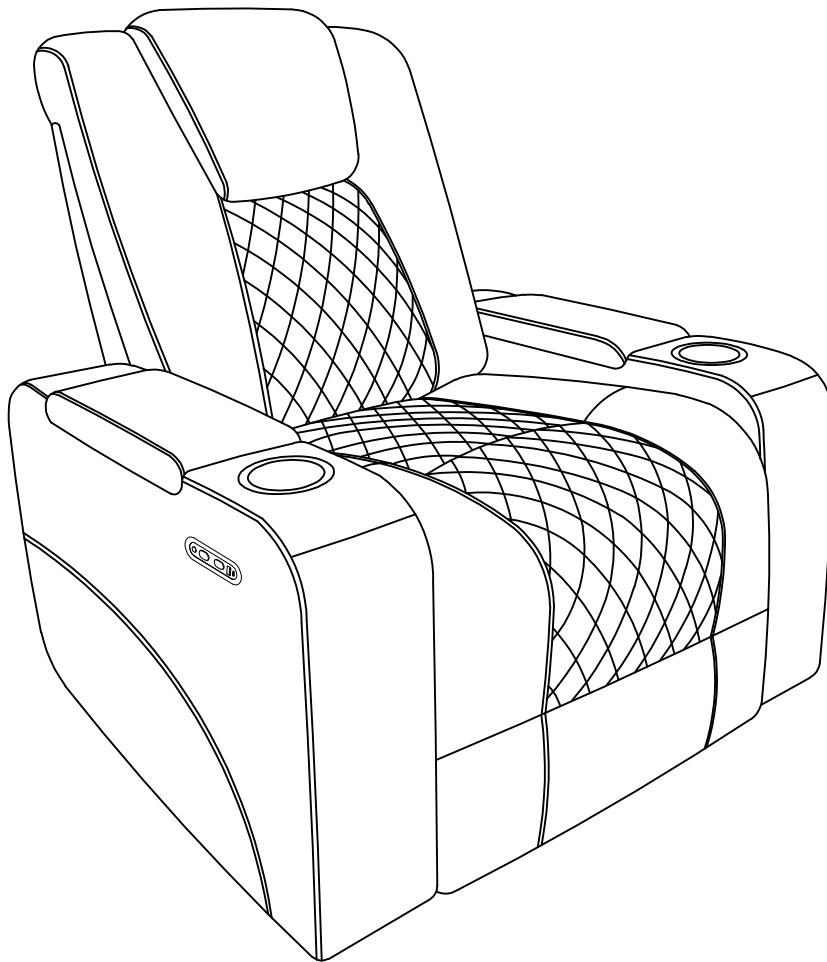




LV25651/LV25751/LV25851/LV25951

DUAL RECLINER ARM CHAIR WITH LED LIGHT STRIP  
2 CUP HOLDERS 2 ARM STORAGE USB ON SWITCH

## ASSEMBLY INSTRUCTIONS



**ASSEMBLY TIPS:**



- 1.Remove hardware from box and sort by size.
- 2.Pleses check to see that all hardware and parts are present prior to start of assembly.
- 3.Please follow attached instruction in the same sequence as numbered to assure fast & easy assembly.




warning:

- 1.Don't attempt to repair or modify parts that are broken or defective. Pleses contact the store immediatly.
- 2.This producct is for home use only and not intended for commercial establishment.

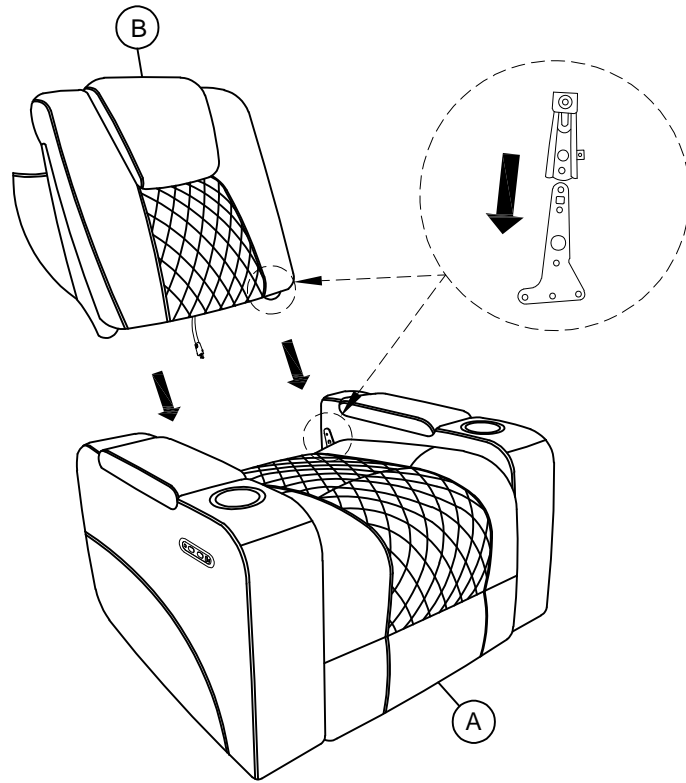
**PARTS IDENTIFICATION**

PART	DRAWING	DESCRIPTION	QTY
A		Recliner Body	1PC
B		Backrest	1PC

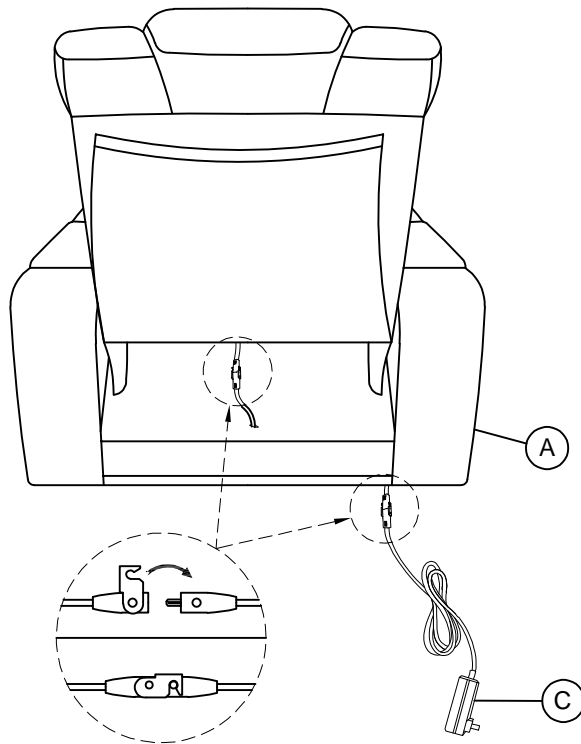
**HARDWARE LIST**

PART	DRAWING	DESCRIPTION	QTY
C		Adapter Of Led/Body	1PC

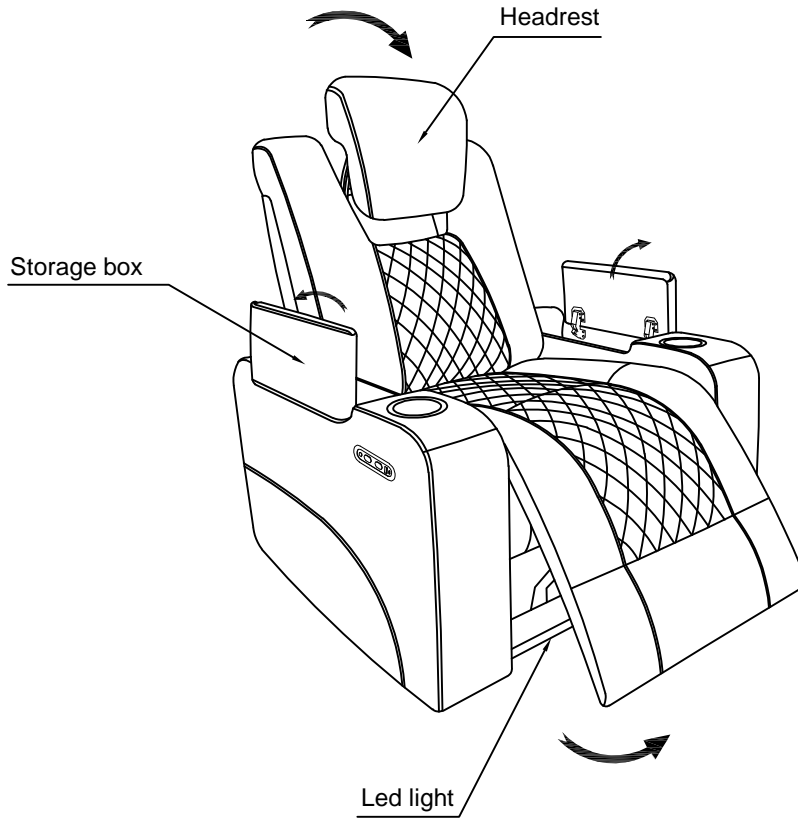
STEP 1 :



STEP 2 :



STEP 3 :



STEP 4 :

