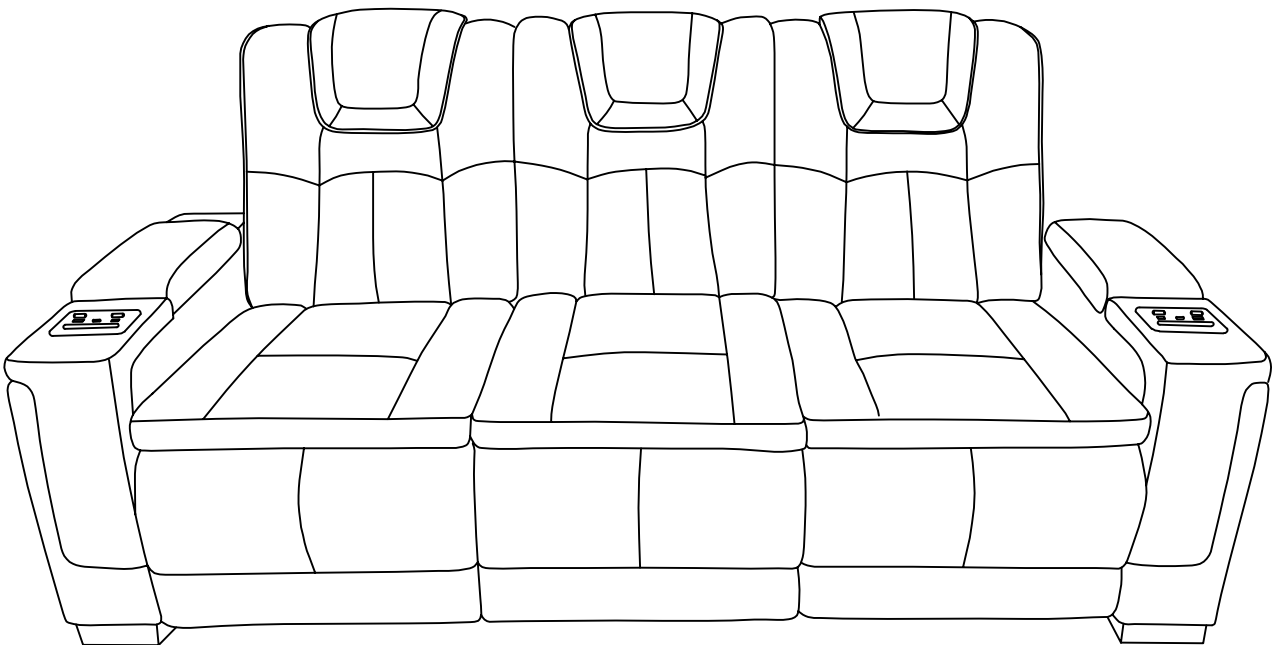


LV26019/LV26119-S

SOFA

## ASSEMBLY INSTRUCTIONS



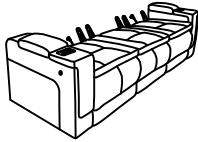
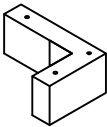

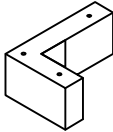



**ASSEMBLY TIPS:**

- 1.Remove hardware from box and sort by size.
- 2.Pleases check to see that all hardware and parts are present prior to start of assembly.
- 3.Please follow attached instruction in the same sequence as numbered to assure fast & easy assembly.



**warning:**

- 1.Don't attempt to repair or modify parts that are broken or defective. Pleases contact the store immediatly.
- 2.This product is for home use only and not intended for commercial establishment.

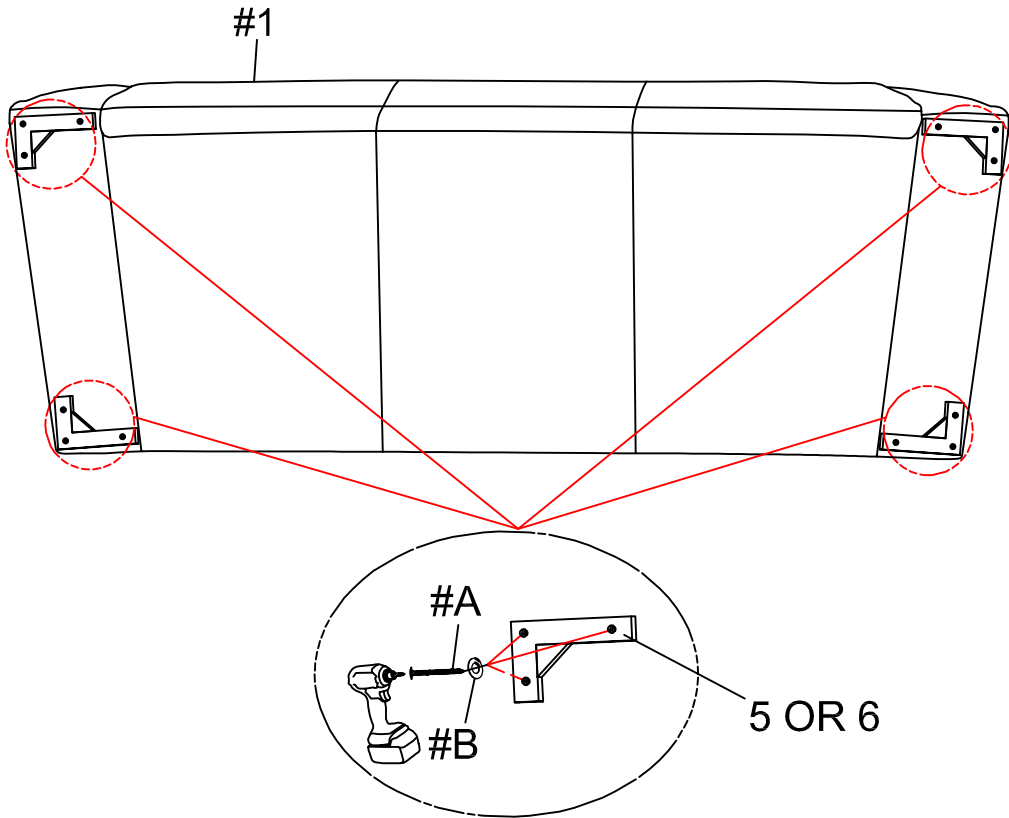
**PARTS IDENTIFICATION**

PART	DRAWING	DESCRIPTION	QTY	PART	DRAWING	DESCRIPTION	QTY
#1		Sofa Body	1PC	#5		Left Leg	2PCS
#2		Backrest	2PCS	#6		Right Leg	2PCS
#3		Middle Backrest	1PC			Not Included	
#4		Adapter	1PC				

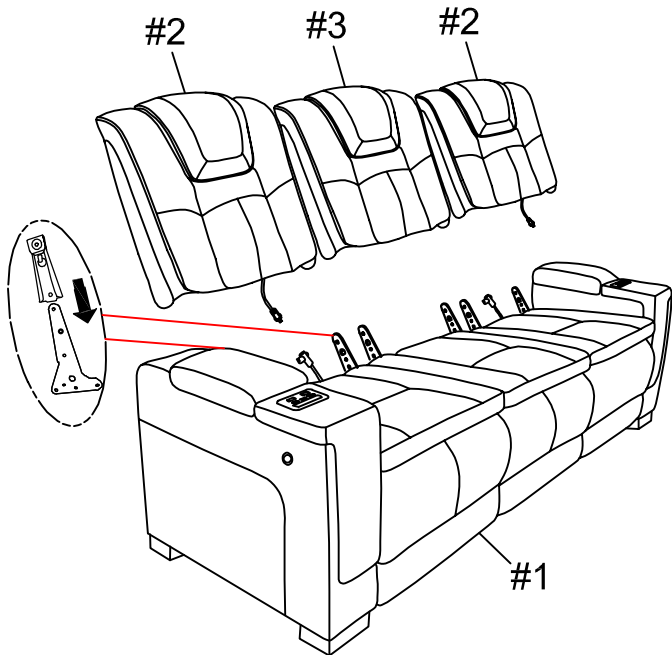
**HARDWARE LIST**

PART	DRAWING	DESCRIPTION	QTY	PART	DRAWING	DESCRIPTION	QTY
#A		Screw M5X55MM	12PCS	#B		Flat Washer Ø6x14MM	12PCS

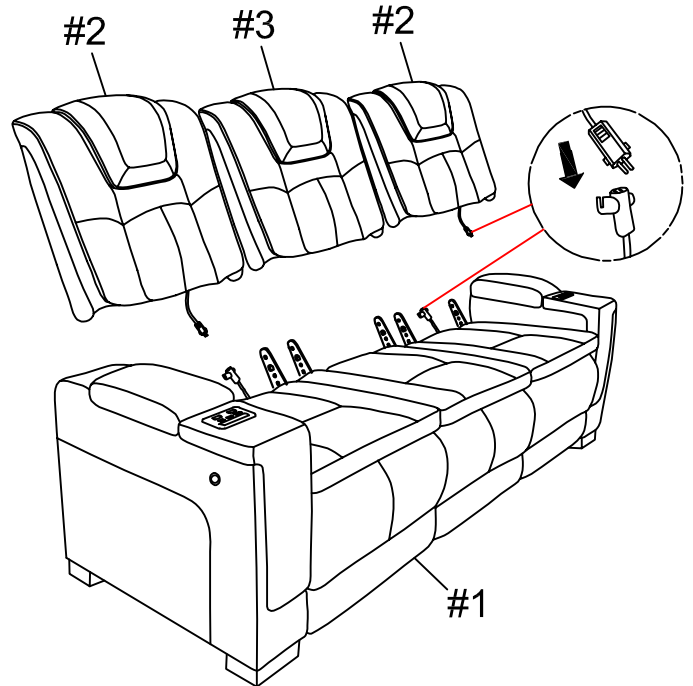
STEP 1



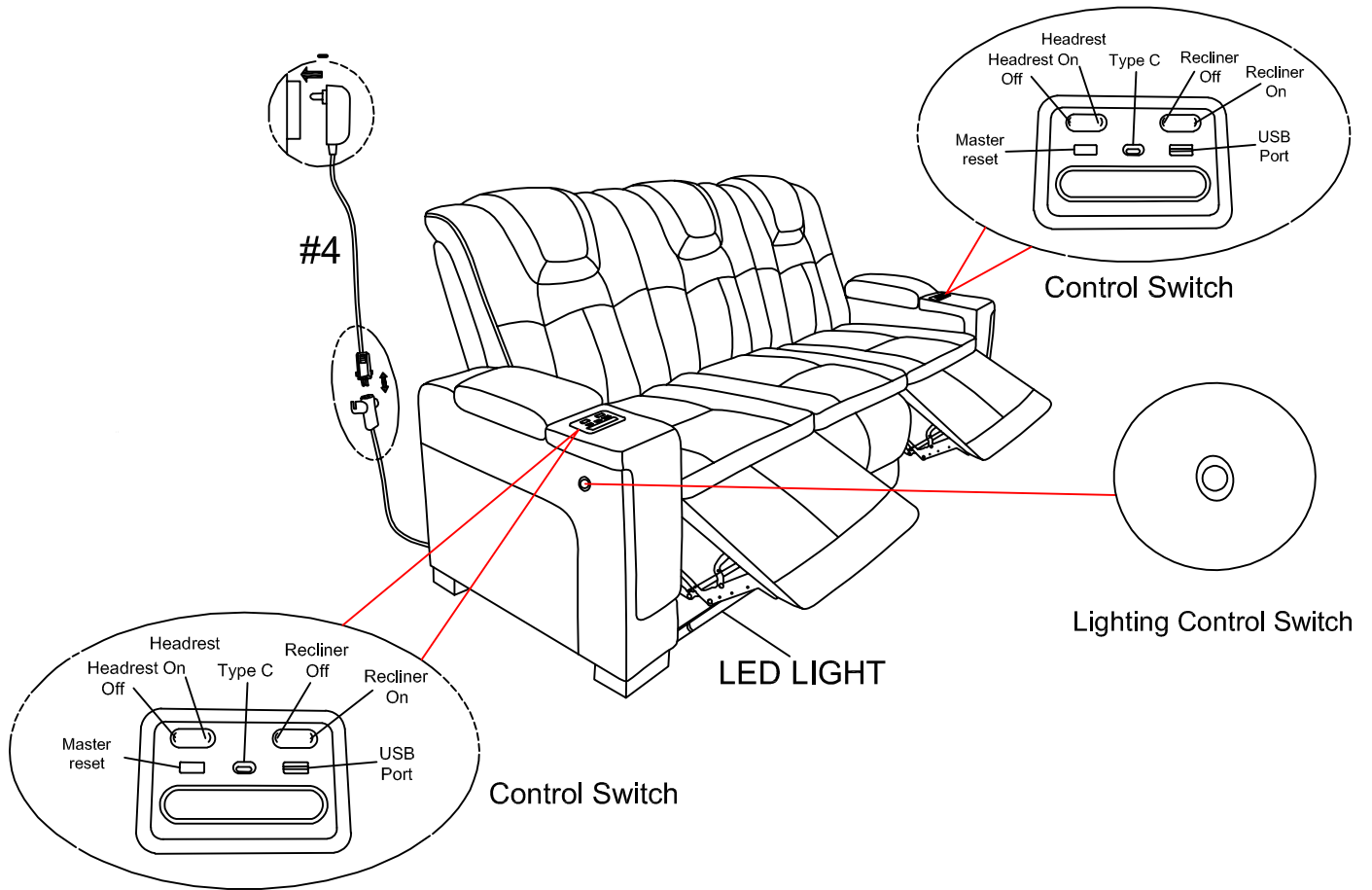
STEP 2



STEP 3



**STEP 4**



**STEP 5**

