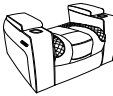





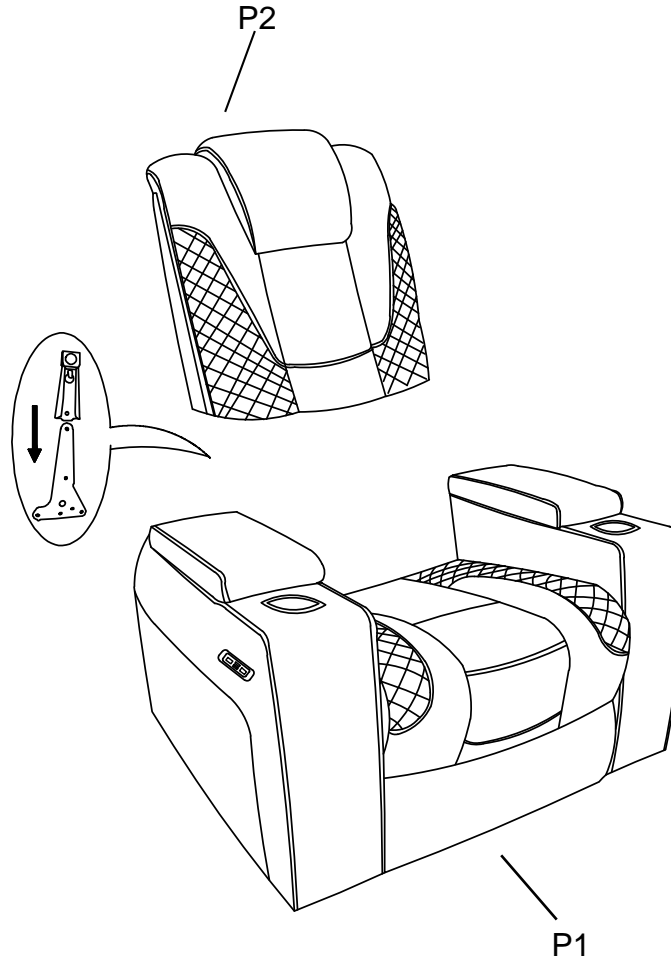
# LV23064-PRAC/LED POWER RECLINER W/LED/STORAGE

*Assembly instructions:*

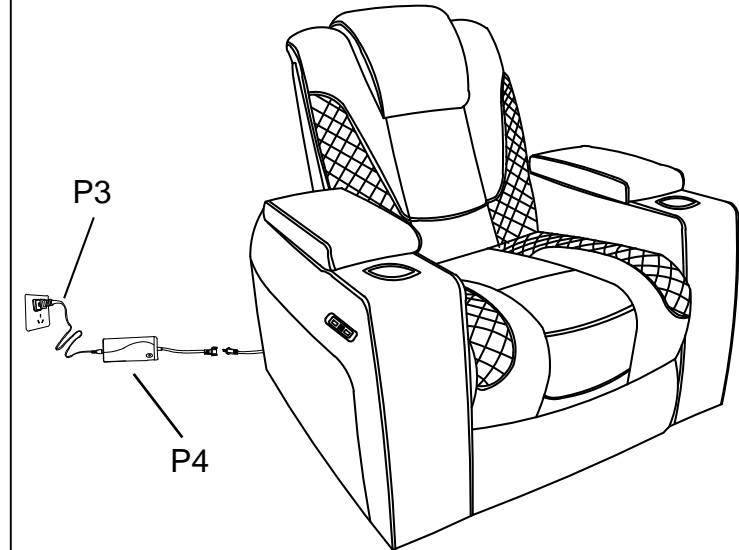
**PARTS LIST**

No.	DESCRIPTION	IMAGE	Q'TY
P1	SEAT CUSHION		1
P2	BACK CUSHION		1
P3	CABLE		1
P4	TRANSFORMER		1

1



2



**NOTE:** PO# is located at the front side of each carton. Please be prepared to provide this # should any claim be necessary.

**CAUTION:** Item is heavy. Assembly should be performed by two people.

ASSEMBLED COMPLETED