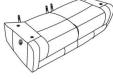






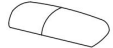


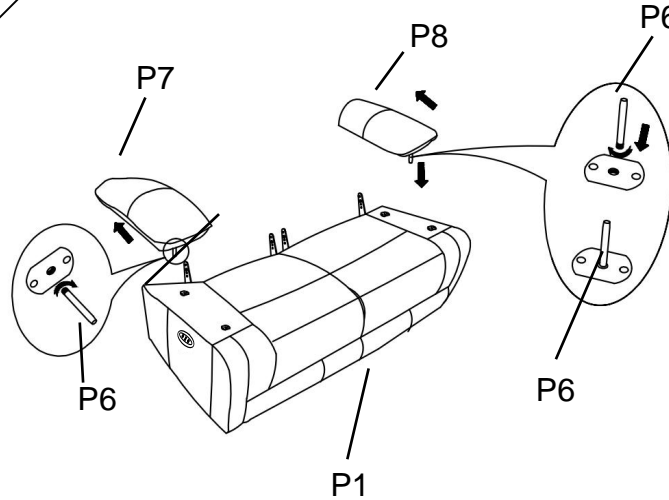
PARTS LIST

No.	DESCRIPTION	IMAGE	Q'TY
P1	SEAT BASE		1
P2	LEFT BACK CUSHION		1
P3	RIGHT BACK CUSHION		1
P4	TRANSFORMER		1
P5	CABLE		1
P6	PINS FOR ARMREST		4
P7	LEFT ARMREST		1
P8	RIGHT ARMREST		1

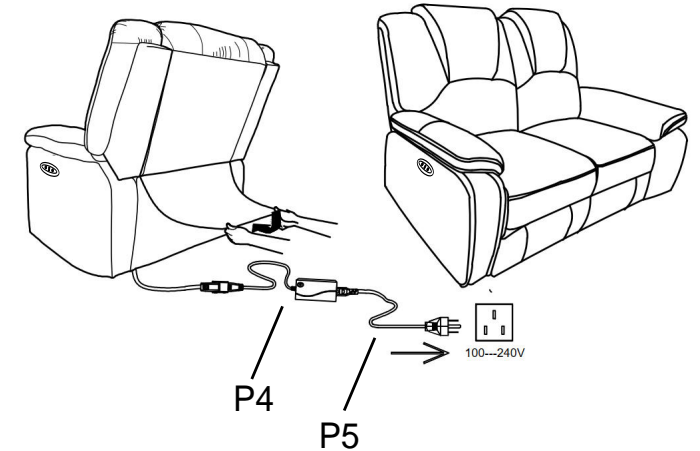
NOTE: PO# is located at the front side of each carton. Please be prepared to provide this # should any claim be necessary.

CAUTION: Item is heavy. Assembly should be performed by two people.

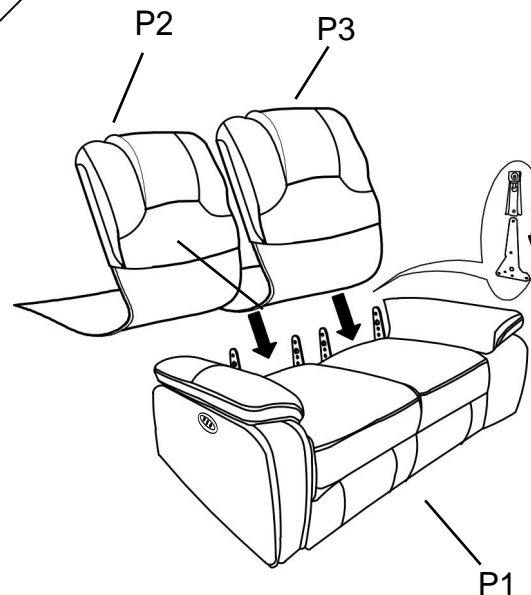
1



3



2



4

