








ASSEMBLY INSTRUCTIONS

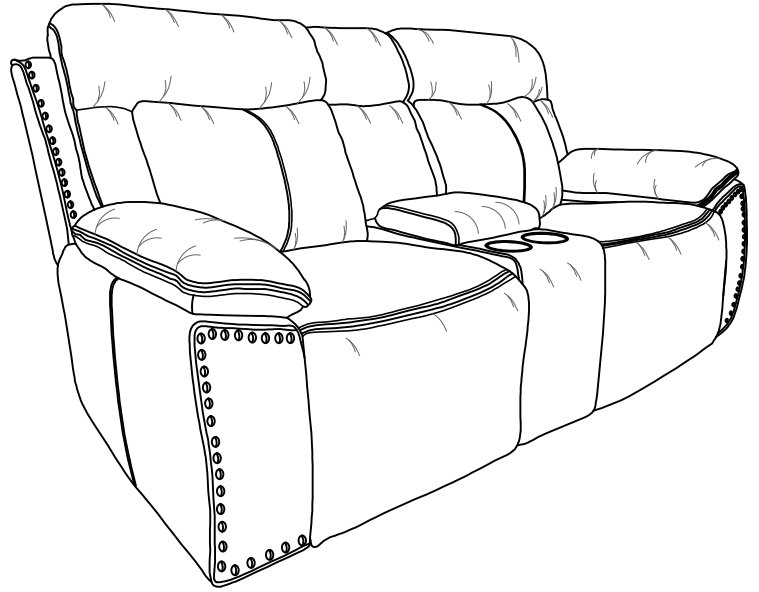
ITEM NO.: LV24006 -2

Thank you for purchasing this product. Please take time to read and follow the instructions below. Check that you have all parts and hardware before assembly. Parts apparently missing are often found in the packing materials. If you do not have all the parts listed, have your dealer contact us and they be sent to you immediately.

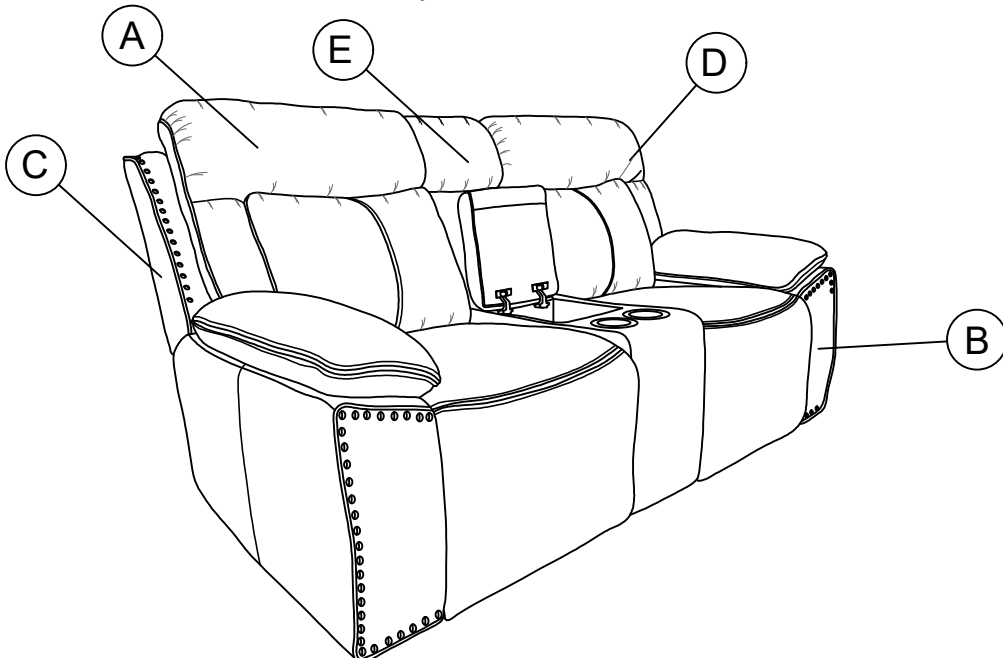
 It is recommended to install protective pads under all legs and support to avoid damage or scratches when placing furniture on a wood floor or other hard surface, and to limit indentation and prevent discoloration if placing on carpet.

*** DO NOT TIGHTEN BOLTS UNTIL COMPLETELY ASSEMBLED**

PARTS LIST			
NO.	SKETCH	DESCRIPTION	QTY
A		BACK REST - L	1 PC
B		SEAT	1 PC
C		SMALL TITLE	2 PCS
D		BACK REST - R	1 PC
E		POWER CORD	1 PC
F		POWER CORD	1 PC



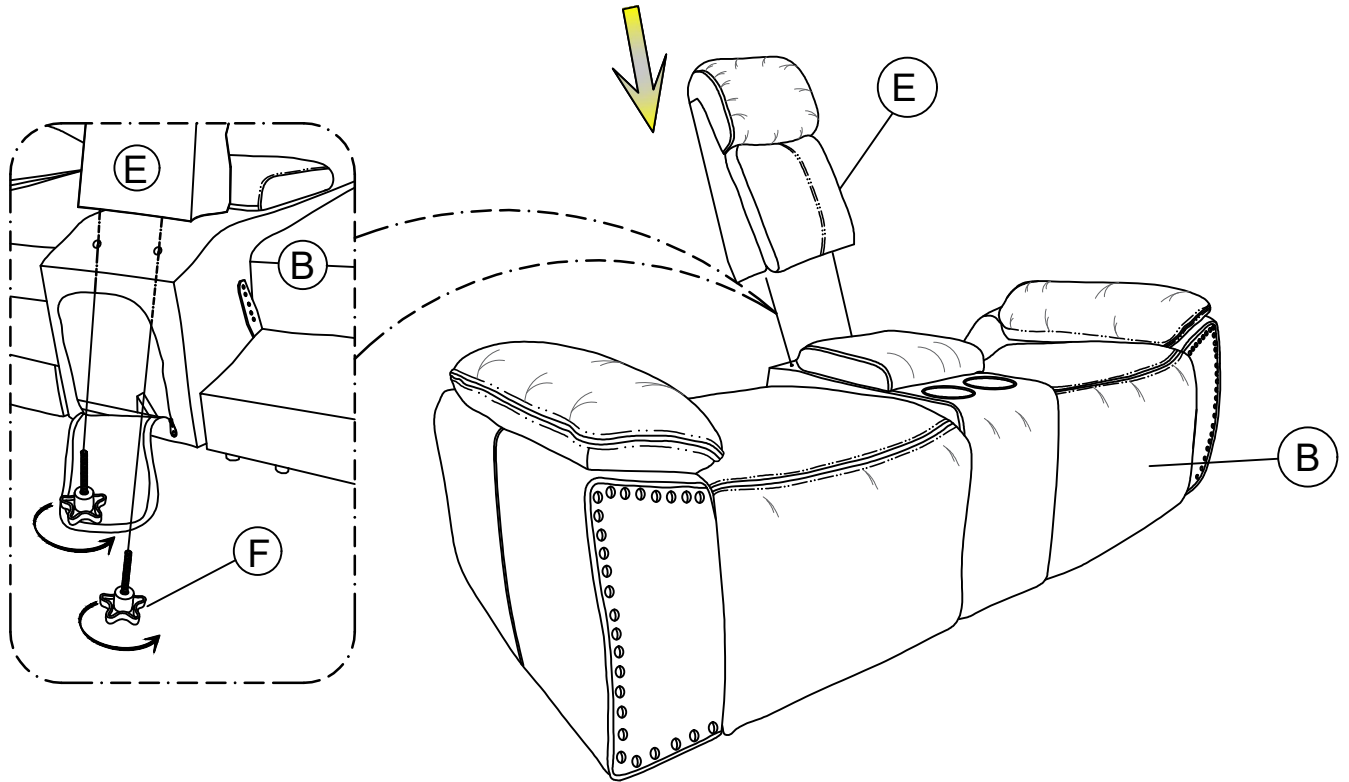
Exploded View



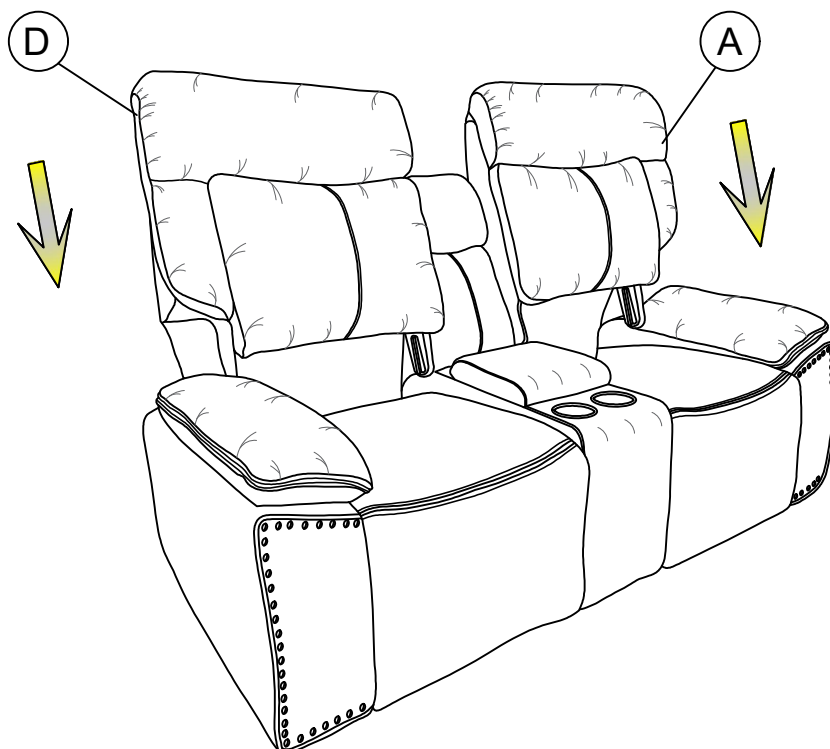
ASSEMBLY INSTRUCTIONS

ITEM NO.: LV24006 -2

STEP 1:



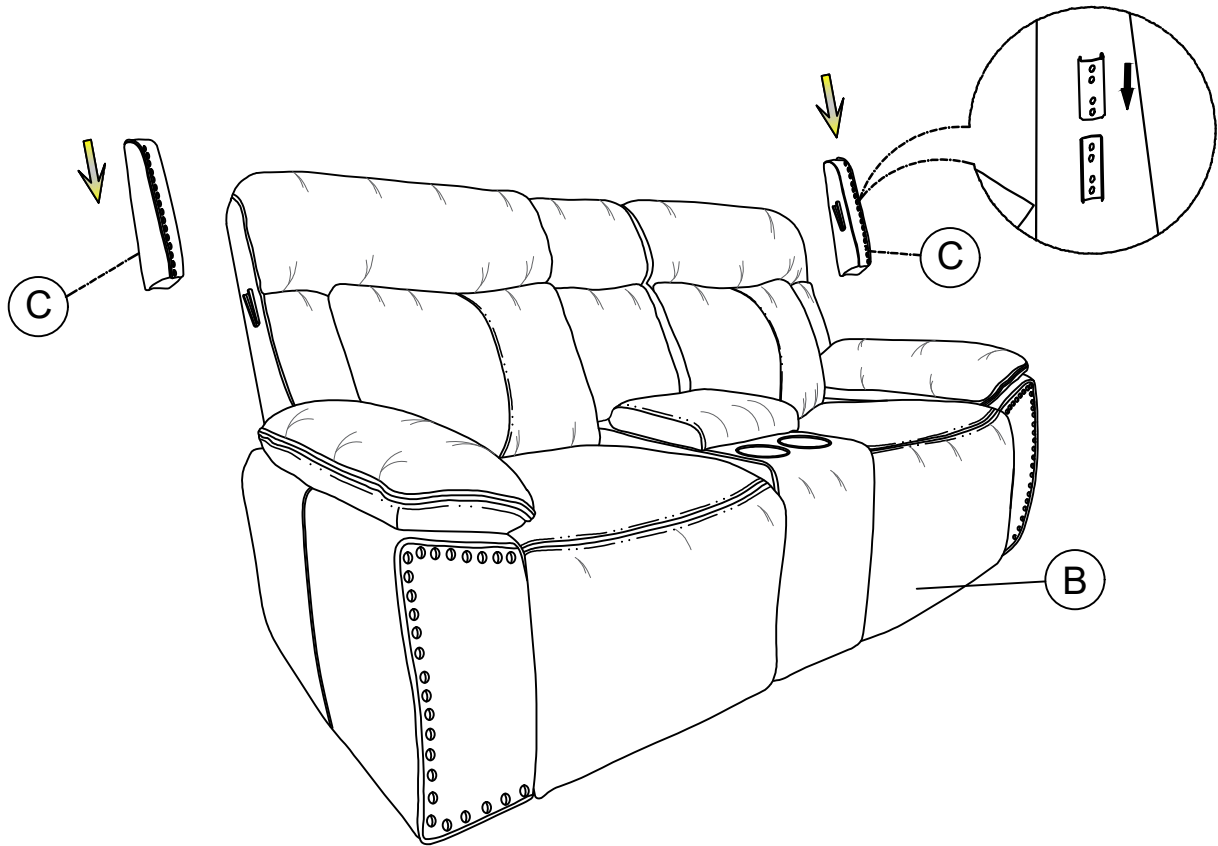
STEP 2:



ASSEMBLY INSTRUCTIONS

ITEM NO.: LV24006-2

STEP 3:



STEP 4:

Completed

