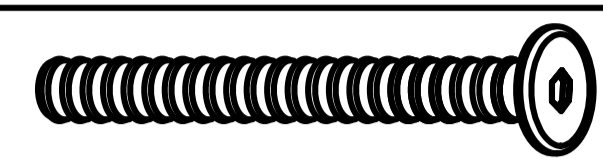
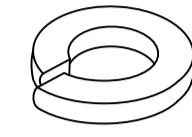
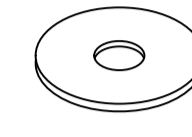




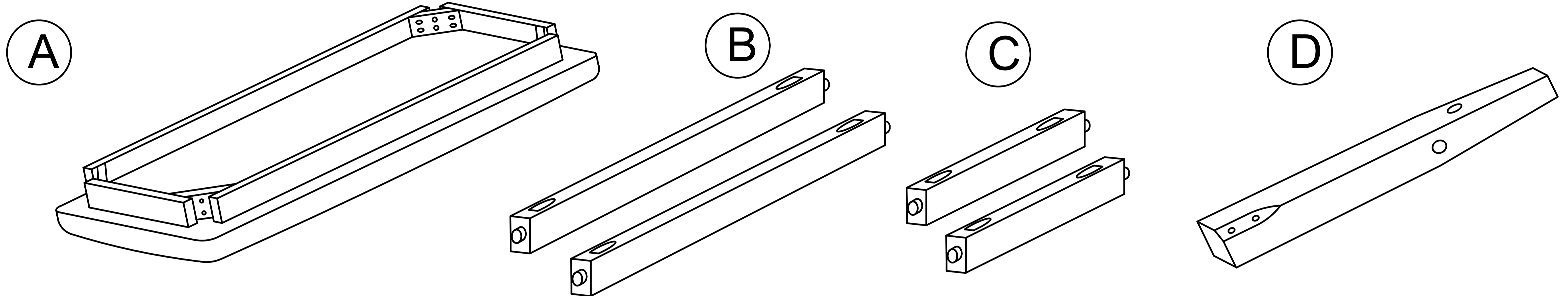
# ASSEMBLY INSTRUCTIONS

MODEL: BE25534PBCH

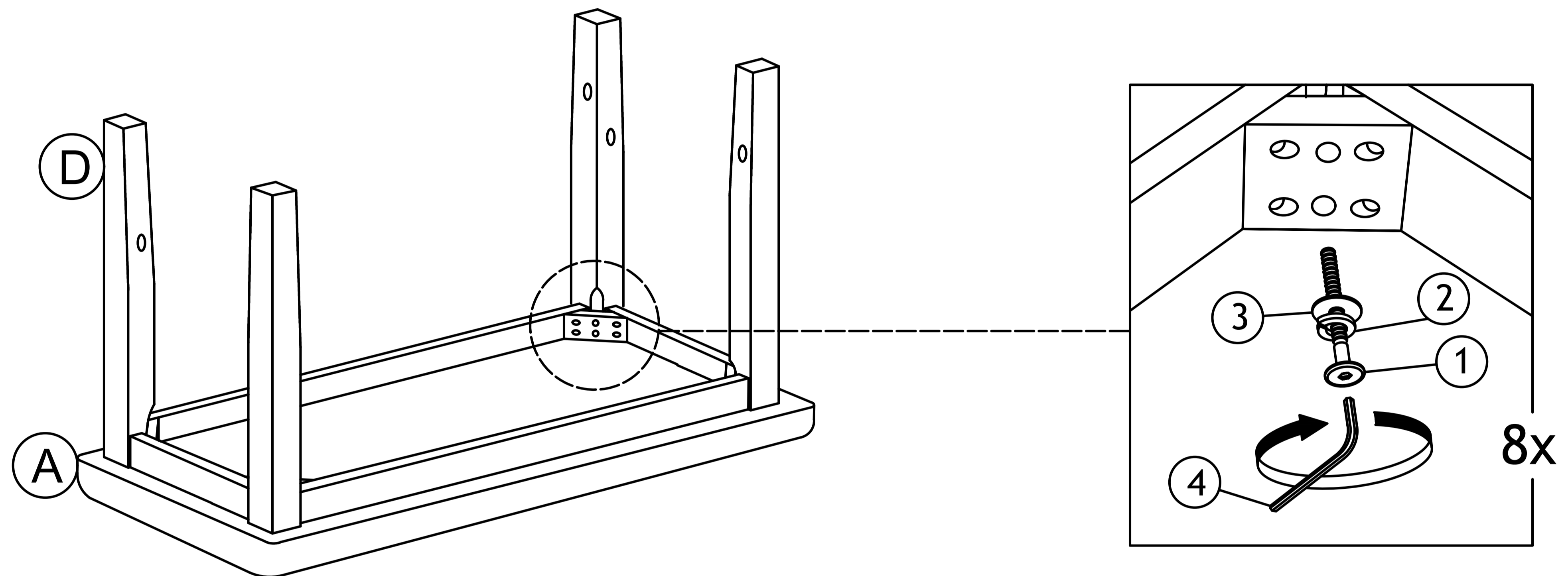
Read this instruction carefully. Refer hardware and furniture parts list for guidance. Be sure all parts are complete before assembling. Place all wooden furniture part on a clean and flat soft surface to prevent scratched. Refer steps provided as assembling guide.

PART LIST		
ITEM	DESCRIPTION	QTY
A	Apron with Cushion	1 PC
B	Long stretcher	2 PCS
C	Short Stretcher	2 PCS
D	Leg	4 PCS

HARDWARE LIST		
ITEM	DESCRIPTION	QTY
1	JCBC Screw M6 x 60mm 	8 PCS
2	Spring Washer M6 x 13mm 	8 PCS
3	Flat Washer M6 x 19mm 	8 PCS
4	Allen Key M4 x 55 	1 PC
5	CSK Screw M4 x 38mm 	8 PC

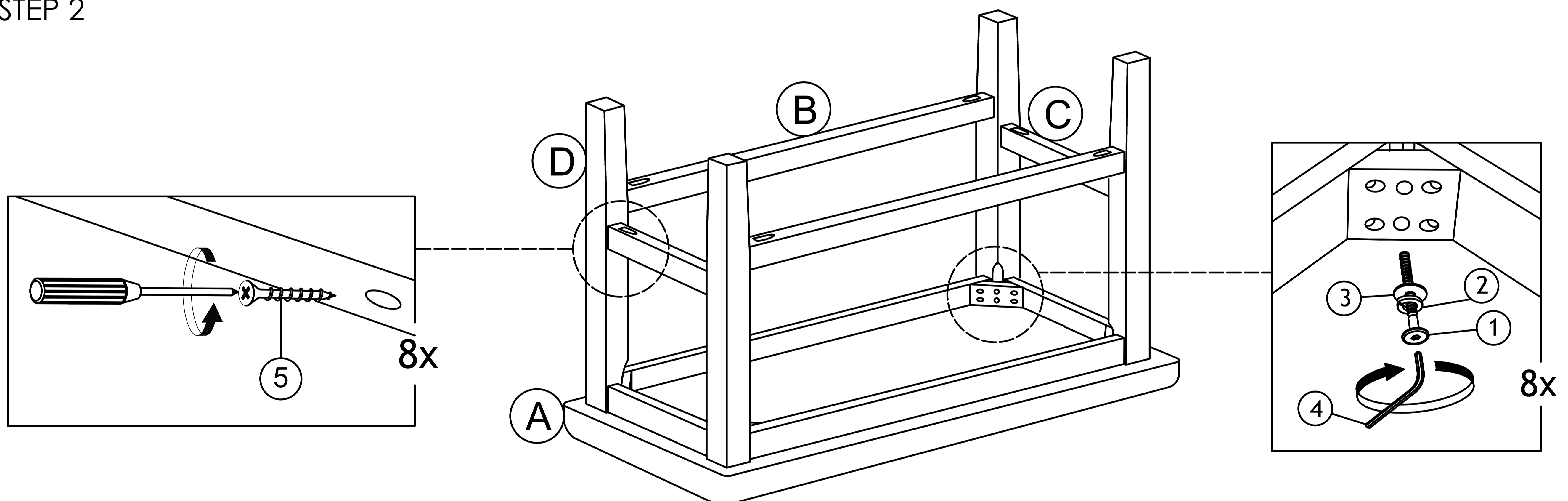


## STEP 1

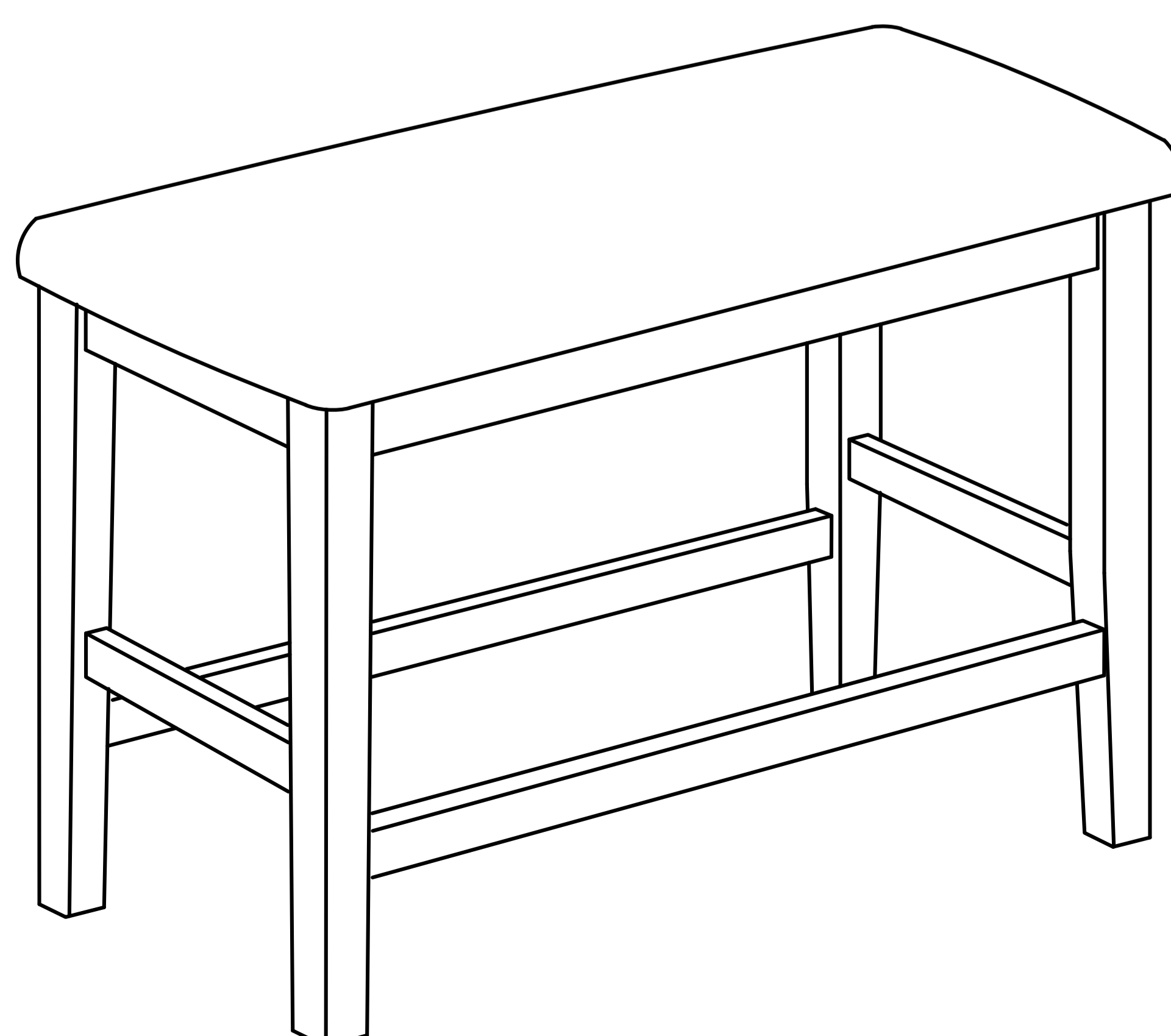


Attach part(A) with part (D). Do not tighten any hardware completely!

## STEP 2



Attach part(B & C) with part (D). Tighten part (D) with part (A) first, then tighten part (B & C) with part (D).



COMPLETED ASSEMBLY