

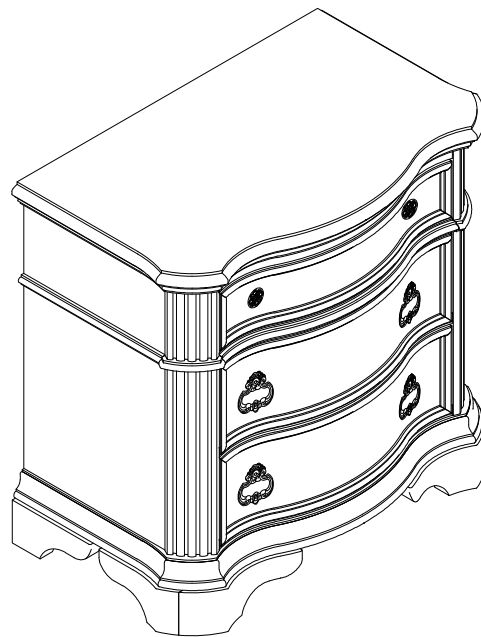


**MOLLAI**  
COLLECTION

BV23277-NS

**NIGHT STAND**

## ASSEMBLY INSTRUCTIONS



**ASSEMBLY TIPS:**




- 1.Remove hardware from box and sort by size.
- 2.Please check to see that all hardware and parts are present prior to start of assembly.
- 3.Please follow attached instructions in the same sequence as numbered to assure fast & easy assembly.

**Warning!**

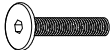





1. Don't attempt to repair or modify parts that are broken or defective. Please contact the store immediately.
2. This product is for home use only and not intended for commercial establishment.

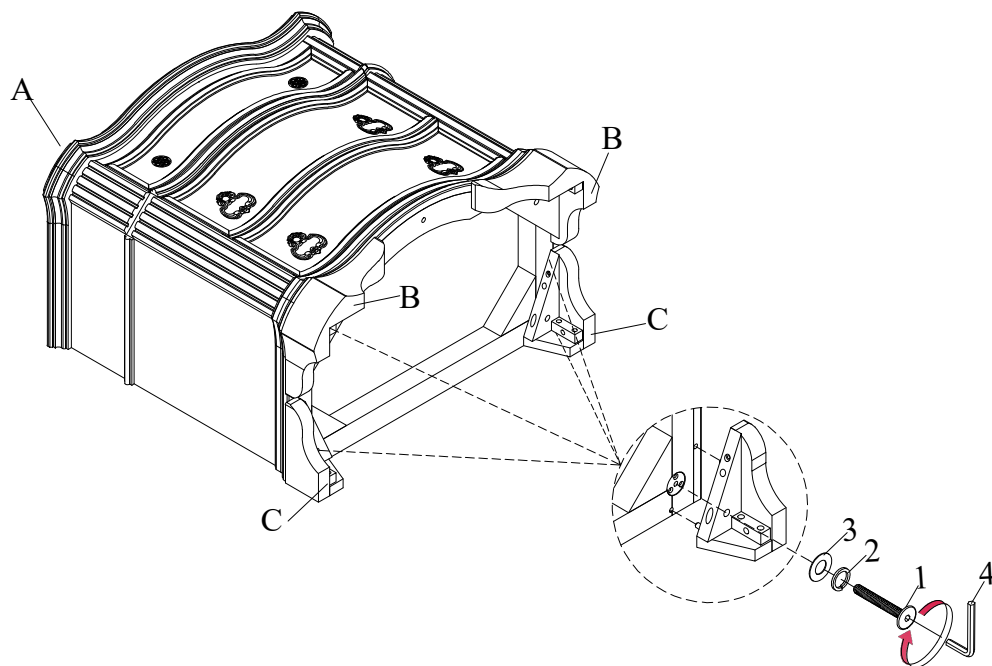
**PARTS IDENTIFICATION**

|   |   |            |      |
|---|---|------------|------|
| A |  | Chest      | 1PC  |
| B |  | Front legs | 2PCS |
| C |  | Back legs  | 2PCS |

**HARDWARE IDENTIFICATION**

|   |   |                   |      |
|---|---|-------------------|------|
| 1 |  | Bolt 5/16"*2"     | 4PCS |
| 2 |  | Lock washer 5/16" | 4PCS |
| 3 |  | Flat washer 5/16" | 4PCS |
| 4 |  | Allen wrench 5MM  | 1PC  |

STEP 1.



STEP 2.

