

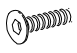






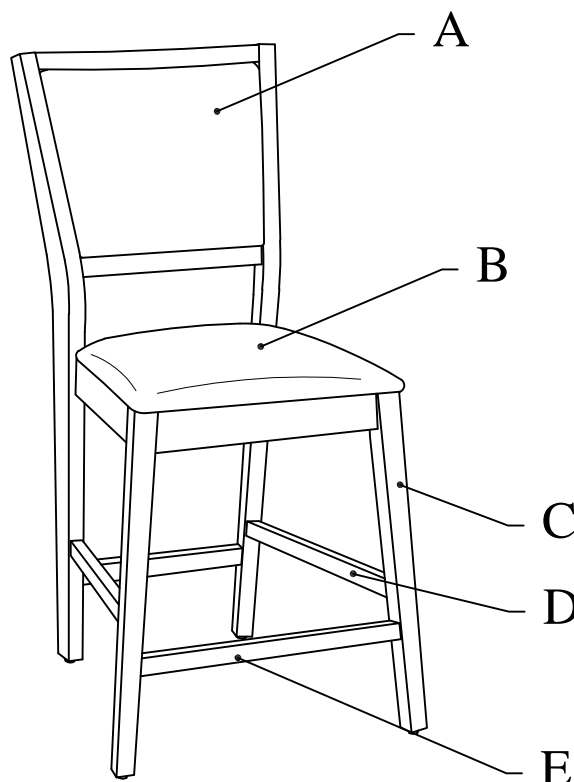
ASSEMBLY INSTRUCTIONS

MODEL : DM21128-PC - PUB CHAIR

Thank you for purchasing this quality product. Be sure to check all packing material carefully for small parts. Which may have come loose inside the carton during shipment. Identify and count all parts and compare with the hardware list as below :

Hardware List	No.	Picture	Description	Dimension	Qty
	①		JCBC M6	M6 x 60mm [Length]	4 Pcs
	②		JCBC M6	M6 x 90mm [Length]	4 Pcs
	③		JCBC M6	M6 x 35mm [Length]	3 Pcs
	④		Spring Washer M6	M6	11 Pcs
	⑤		Flat Washer M6	M6 x 19mm	11 Pcs
	⑥		Pan Head Screw	M4 x 38mm	6 Pcs
	⑦		Allen Wrench	M4	1 Pc

Parts List	No.	Description	Qty
	A	Back Rest	1 Pc
	B	Cushion Seat	1 Pc
	C	Front Leg	2 Pcs
	D	Size Stretcher (L & R)	2 Pcs
	E	Front Stretcher	1 Pc



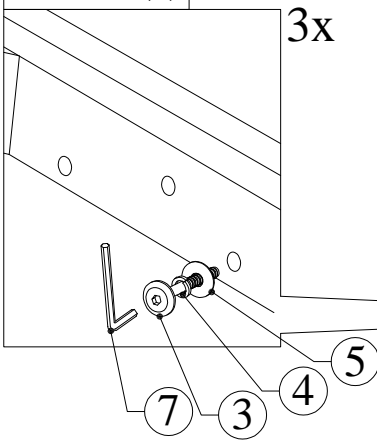
PARTS DETAILS

Assembly step

STEP 1

Assemble BACK LEG to SEAT together as illustration shown.
DO NOT TIGHTEN THE SCREWS UNTIL FULLY SET UP.

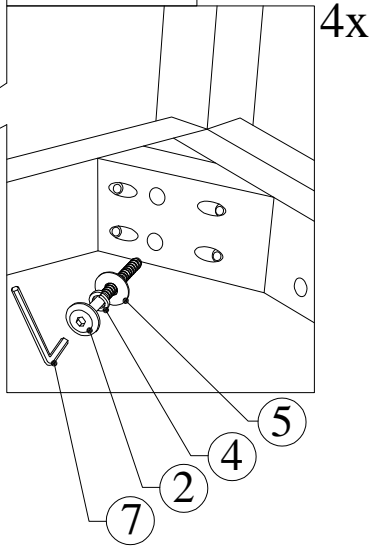
STEP 1(a)



A

B

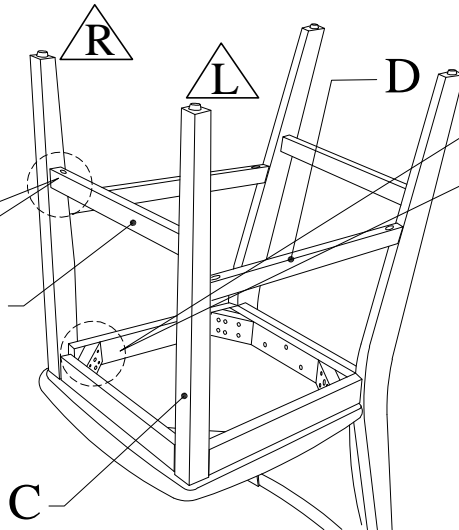
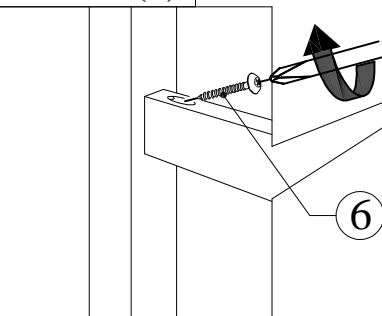
STEP 1(b)



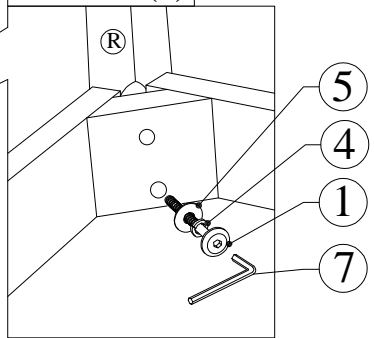
STEP 2

Assemble FRONT LEG to SEAT together with FRONT & SIDE STRETCHER as illustration shown.
DO NOT TIGHTEN THE SCREWS UNTIL FULLY SET UP.

STEP 2(b)



STEP 2(a)



STEP 3

Assemble STRETCHER to LEG as illustration shown.
TIGHTEN ALL THE SCREWS.

