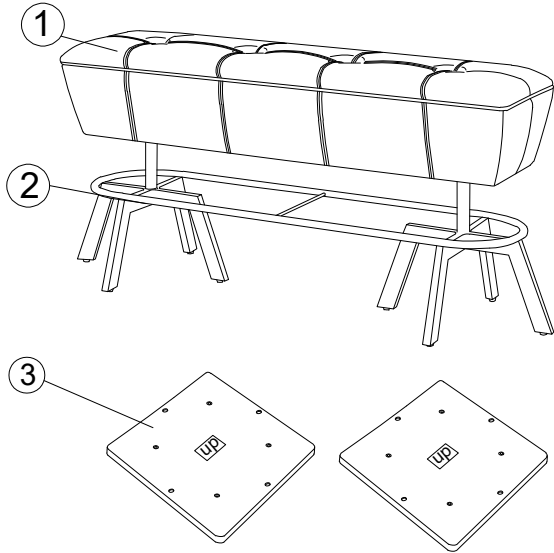









ASSEMBLY INSTRUCTIONS

MODEL : DM21130-BCH - BENCH

Thank you for purchasing this quality product. Be sure to check all packing material carefully for small parts. Which may have come loose inside the carton during shipment. Identify and count all parts and compare with the hardware list as below :



PARTS LIST			
1	CUSHION SEAT		1 PC
2	METAL LEG		1 PC
3	SEAT BOTTOM PANEL (L/R)		2 PCS

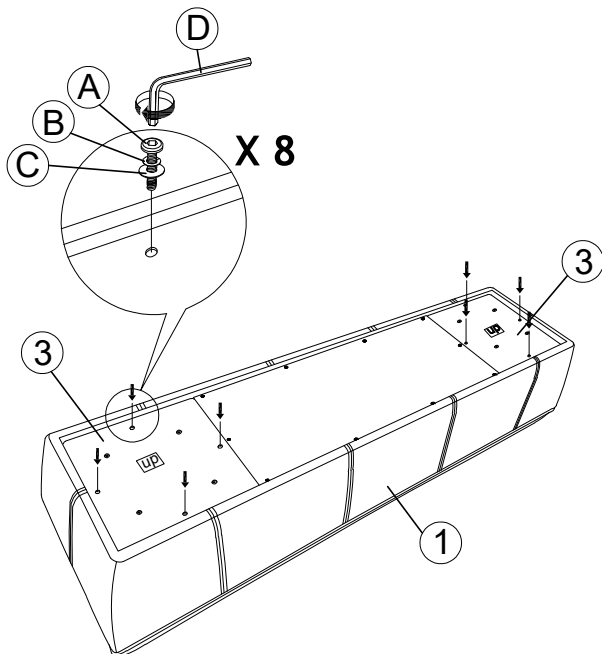
HARDWARE LIST			
NO	DESCRIPTION	SKETCH	QTY
A	JCBB BOLT - M8 x 30mm		16 PCS
B	SPRING WASHER M8		16 PCS
C	FLAT WASHER M8		16 PCS
D	ALLEN KEY - M5		1 PC

COMPLETE ASSEMBLY

PLACE WOOD PARTS ON A CLEAN NON-ABRASIVE SURFACE

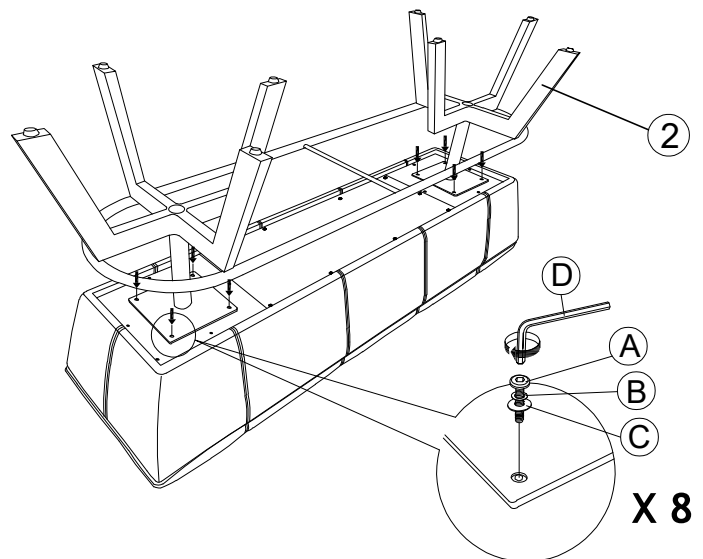
STEP 1

Assemble SET BOTTOM PANEL L & R to CUSHION SEAT as illustration shown.



STEP 2

Assemble METAL LEG to SET BOTTOM PANEL as illustration shown.



*Do not fully tighten the bolt until assembly is complete.