

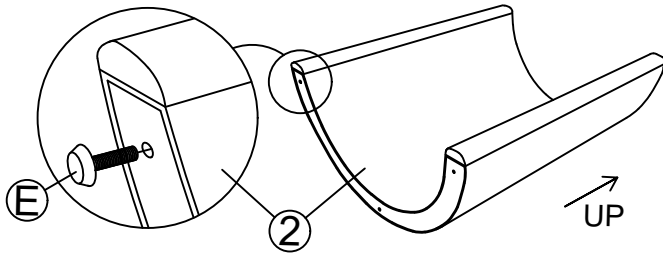
# ASSEMBLY INSTRUCTION'S

MODEL : DM26019 DINING TABLE

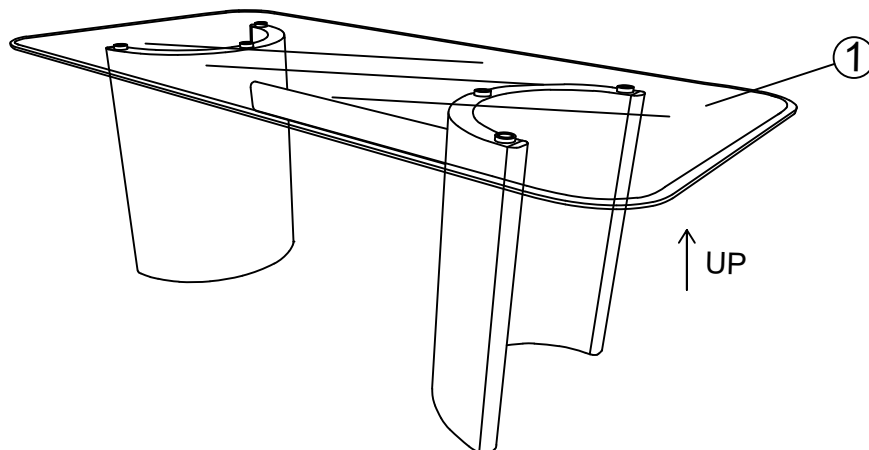
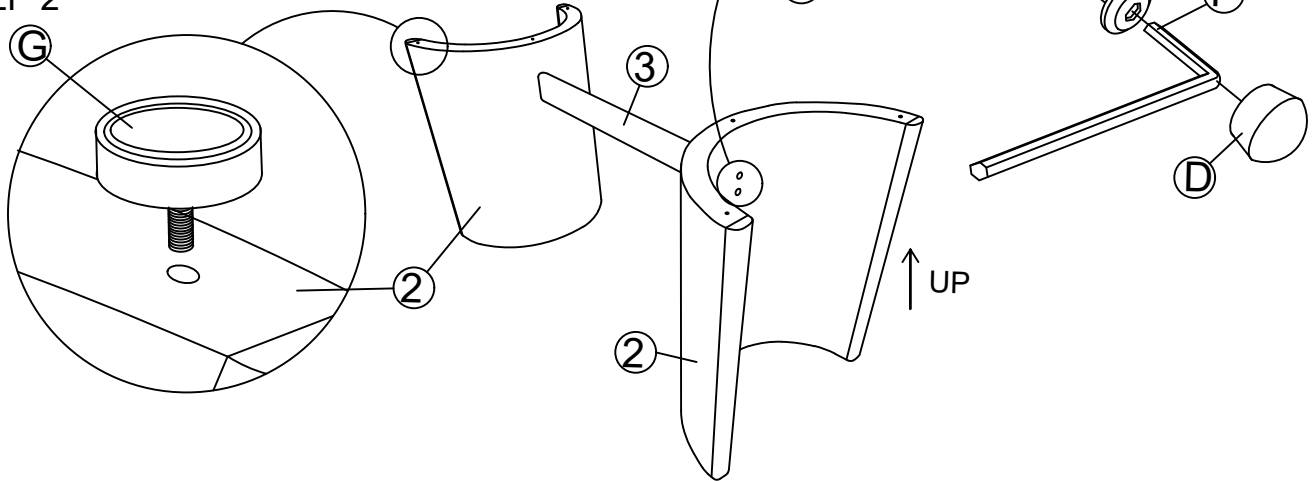
Please follow Assembly Instruction carefully. Step by step.

PART LIST			HARDWARE LIST		
1	GLASS TOP	1pc	A	JCBC M6X70MM	4pcs
2	LEG	2pcs	B	SPRING WASHER M6	4pcs
			C	FLAT WASHER M6X13MM	4pcs
			D	WOOD BUTTON 14.5MM	4pcs
			E	ADJUSTABLE M6X20MM	6pcs
			F	ALLEN KEY M4X100MM	1pc
3	LEG SUPPORT	1pc	G	ALUMINIUM VACUUM M10X40MM	6pcs

## STEP 1



## STEP 2



COMPLETED  
ASSEMBLY