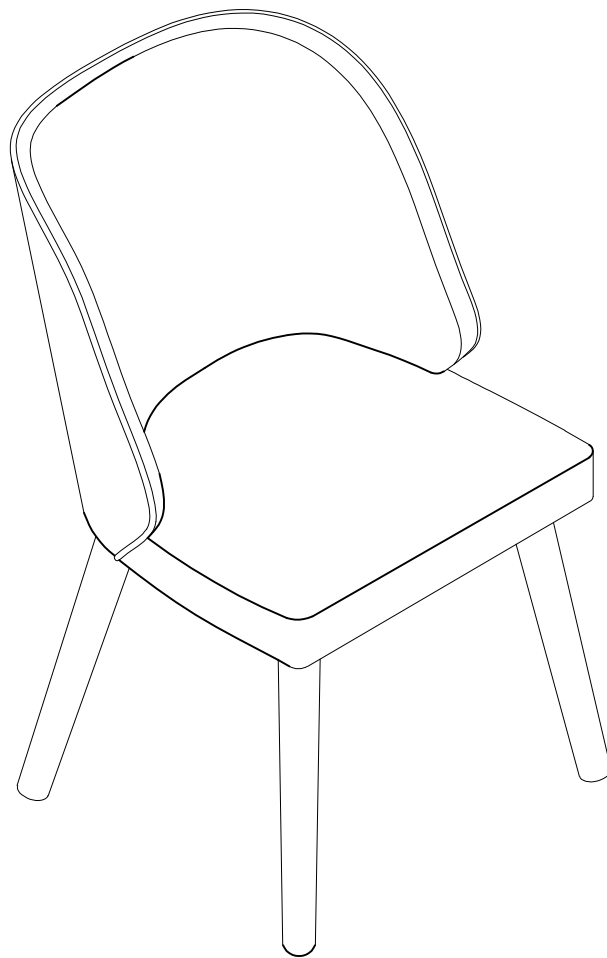




MOLLAI
COLLECTION

DV25584-SC
SIDE CHAIR

ASSEMBLY INSTRUCTIONS



ASSEMBLY TIPS:

- 1.Remove hardware from box and sort by size.
- 2.Please check to see that all hardware and parts are present prior to start of assembly.
- 3.Please follow attached instructions in the same sequence as numbered to assure fast & easy assembly.

Warning!




1. Don't attempt to repair or modify parts that are broken or defective. Please contact the store immediately.
2. This product is for home use only and not intended for commercial establishment.

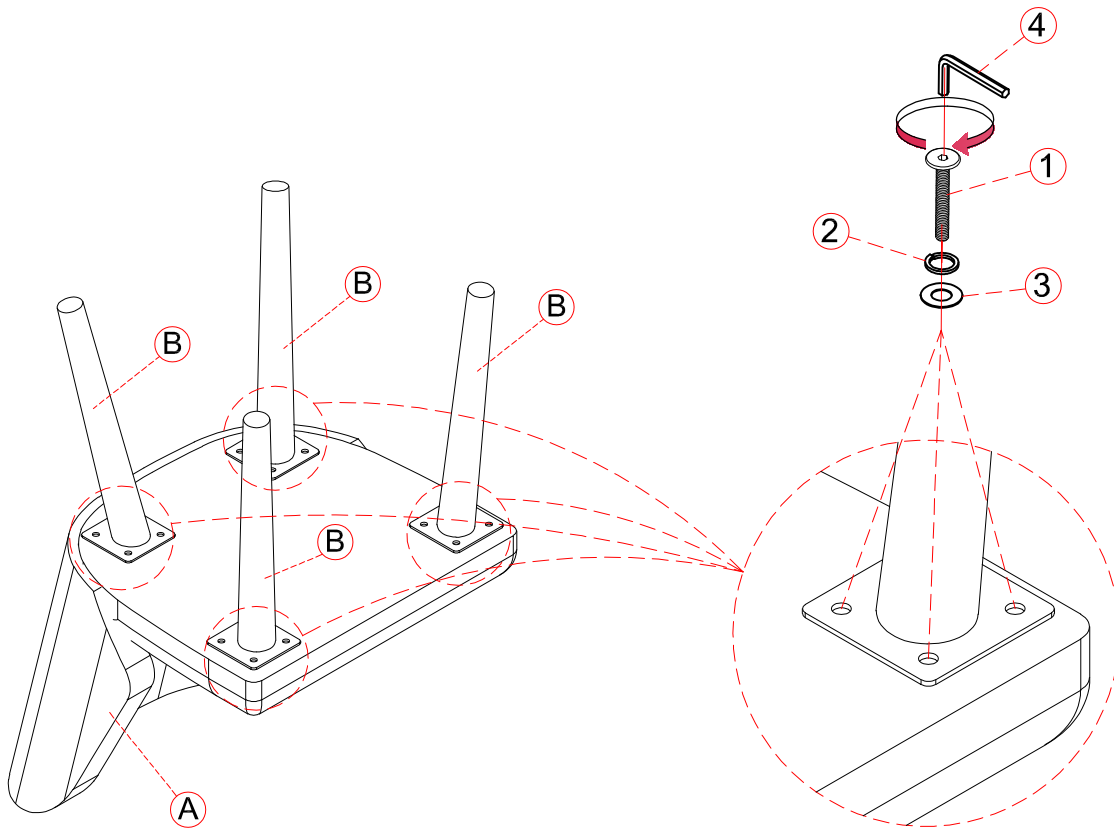
PARTS IDENTIFICATION

A		Chair back	1pc
B		Legs	4pcs

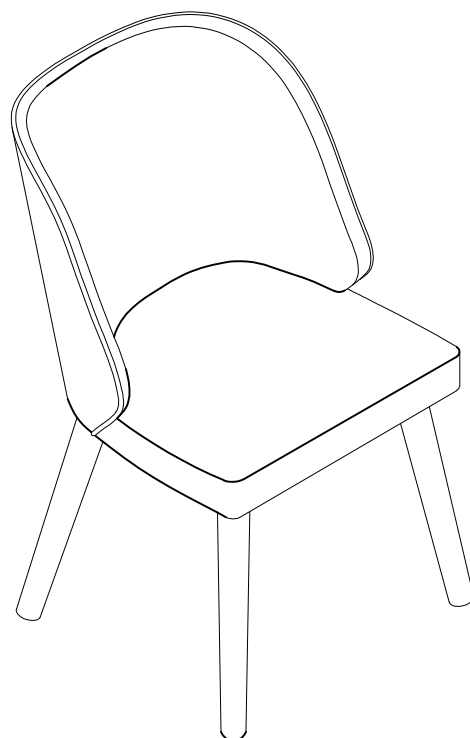
HARDWARE IDENTIFICATION

1		Bolt	16pcs
2		Lock washer	16pcs
3		Flat washer	16pcs
4		Allen wrench	1pc

STEP 1.



STEP 1.



COMPLETED SIDE CHAIR