

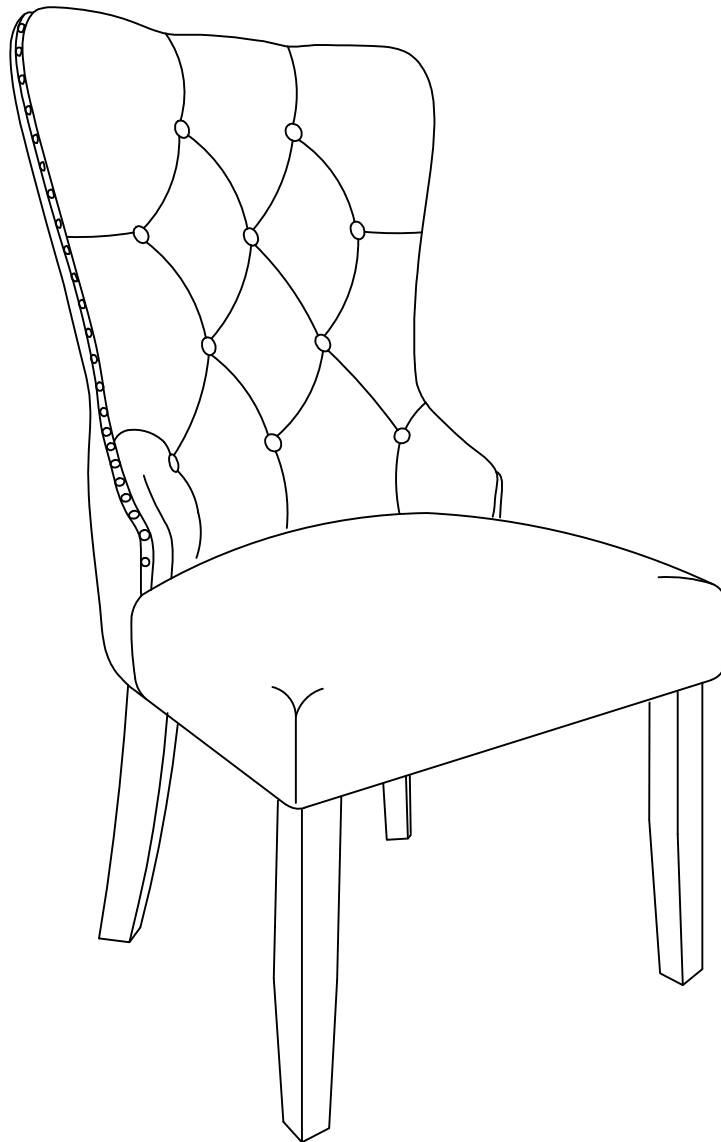


MOLLAI
COLLECTION

#DV3238-AC

ARM CHAIR

ASSEMBLY INSTRUCTIONS



ASSEMBLY TIPS:


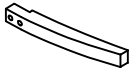

- 1.Remove hardware from box and sort by size.
- 2.Please check to see that all hardware and parts are present prior to start of assembly.
- 3.Please follow attached instructions in the same sequence as numbered to assure fast & easy assembly.

Warning!


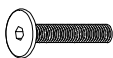





1. Don't attempt to repair or modify parts that are broken or defective. Please contact the store immediately.
2. This product is for home use only and not intended for commercial establishment.

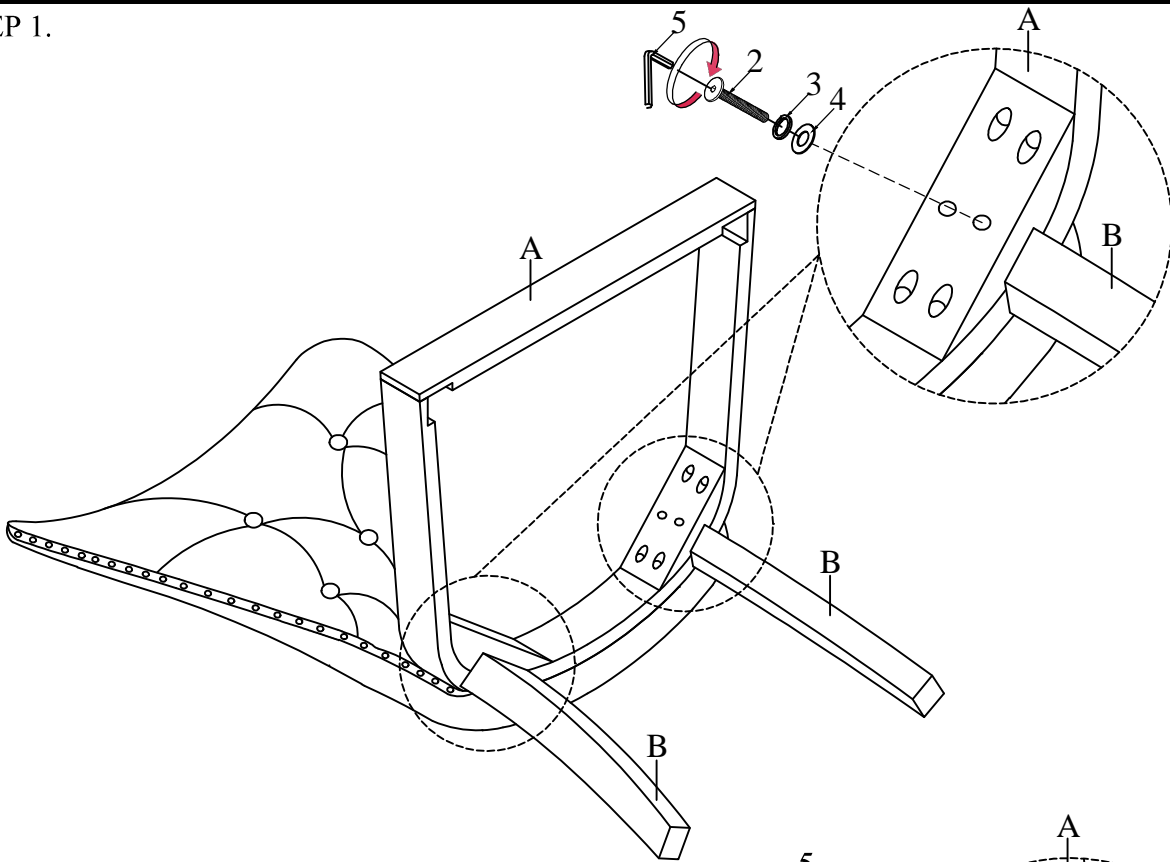
PARTS IDENTIFICATION

A		FABRIC ARM CHAIR	1PC
B		Back leg	2PCS
C		Front leg	2PCS

HARDWARE IDENTIFICATION

1		Bolt	4PCS
2		Bolt	4PCS
3		Lock washer	8PCS
4		Flat washer	8PCS
5		Allen wrench	1PC

STEP 1.



STEP 2.

