

ASSEMBLY INSTRUCTIONS
INSTRUCTIONS POUR L'ASSEMBLAGE

bel
FURNITURE



MODEL : BM25658-NS
DESC. : NIGHT STAND

MODEL: 3752 NIGHTSTAND

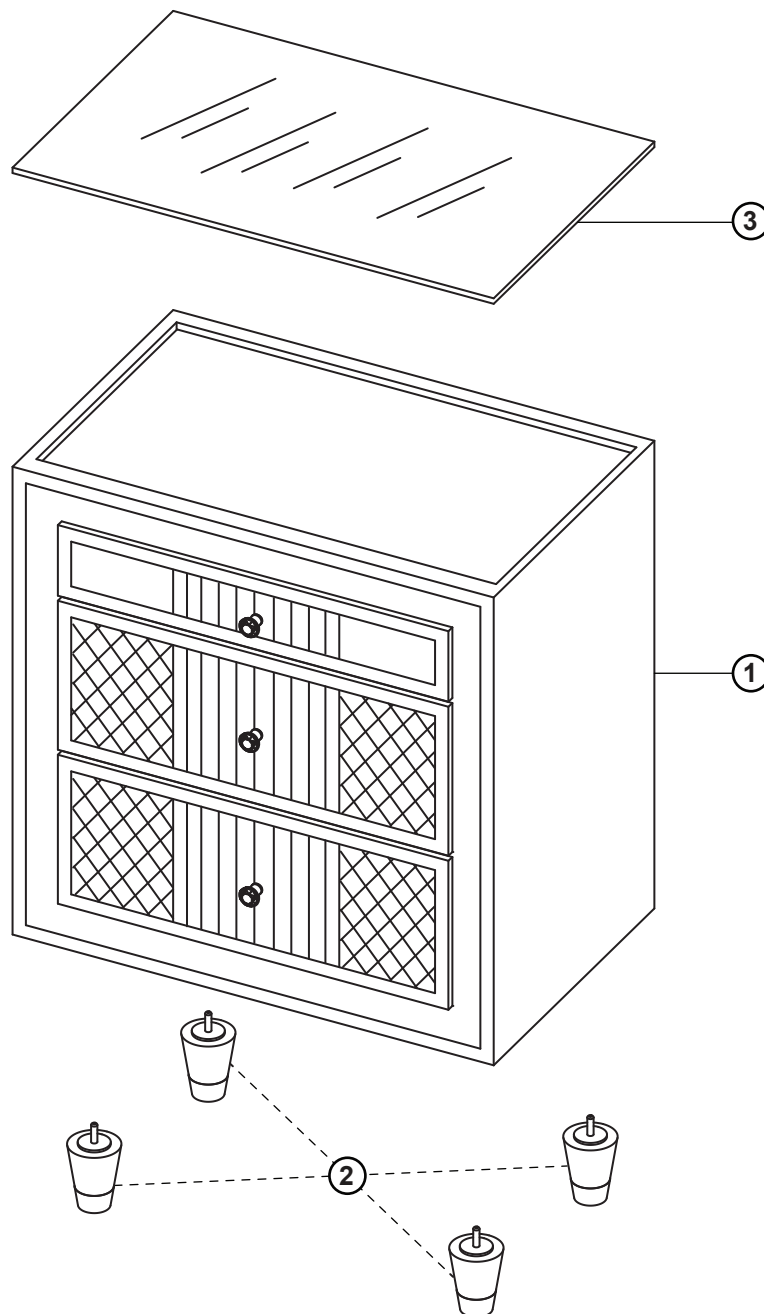
ASSEMBLY INSTRUCTIONS / INSTRUCTIONS POUR L' ASSEMBLAGE

1. Remove hardware from box and sort by size.
2. Please check to see that all hardware and parts are present prior to the start of the assembly.
3. Please follow attached instructions in the same sequence as numbered to assure fast and easy assembly.

PART LIST :

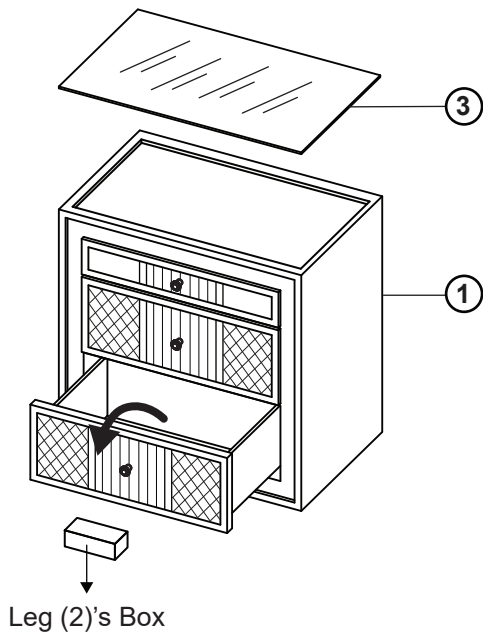
ITEM	DESCRIPTION	QTY
1	Nightstand	1
2	Leg	4
3	Glass-Top	1

NOTE: HANDLE FRAGILE GLASS-TOP WITH CARE

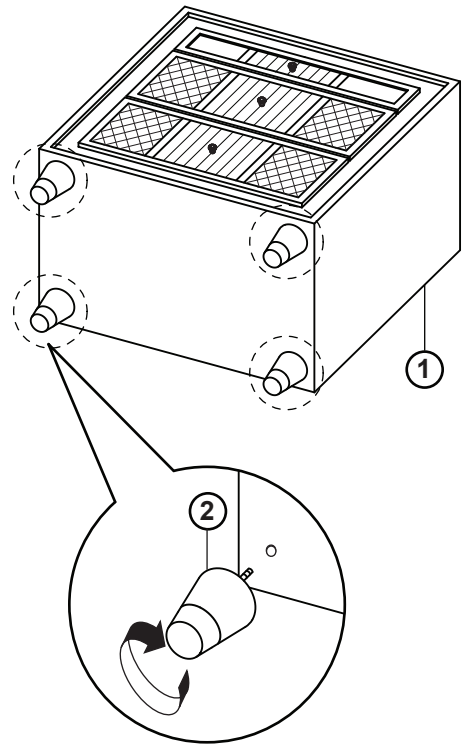


STEP: 1

Lift the Glass-Top (3) gently and carefully place it at safe area before assembly begin.

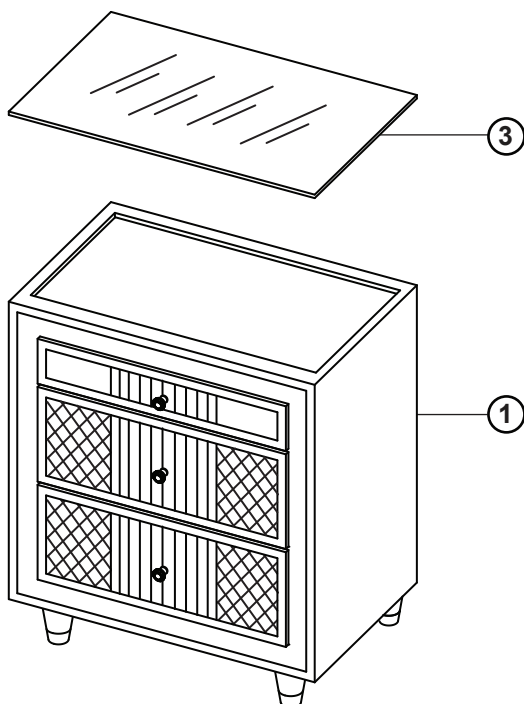


STEP: 2

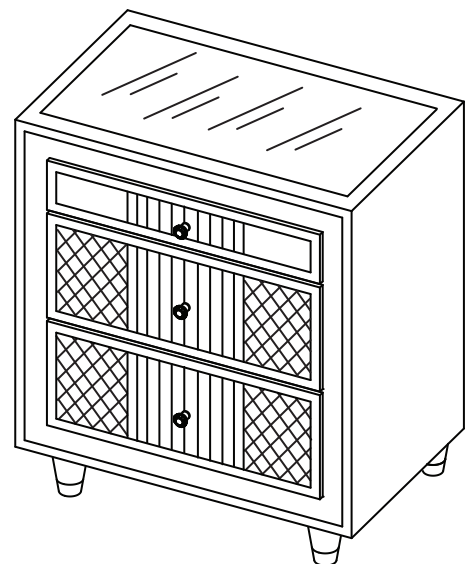


STEP: 3

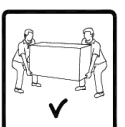
Place the Glass-Top (3) to the Top Surface of Nightstand (1).



STEP: 4



ASSEMBLY COMPLETE



ASSEMBLY INSTRUCTIONS FOR BEL FURNITURE

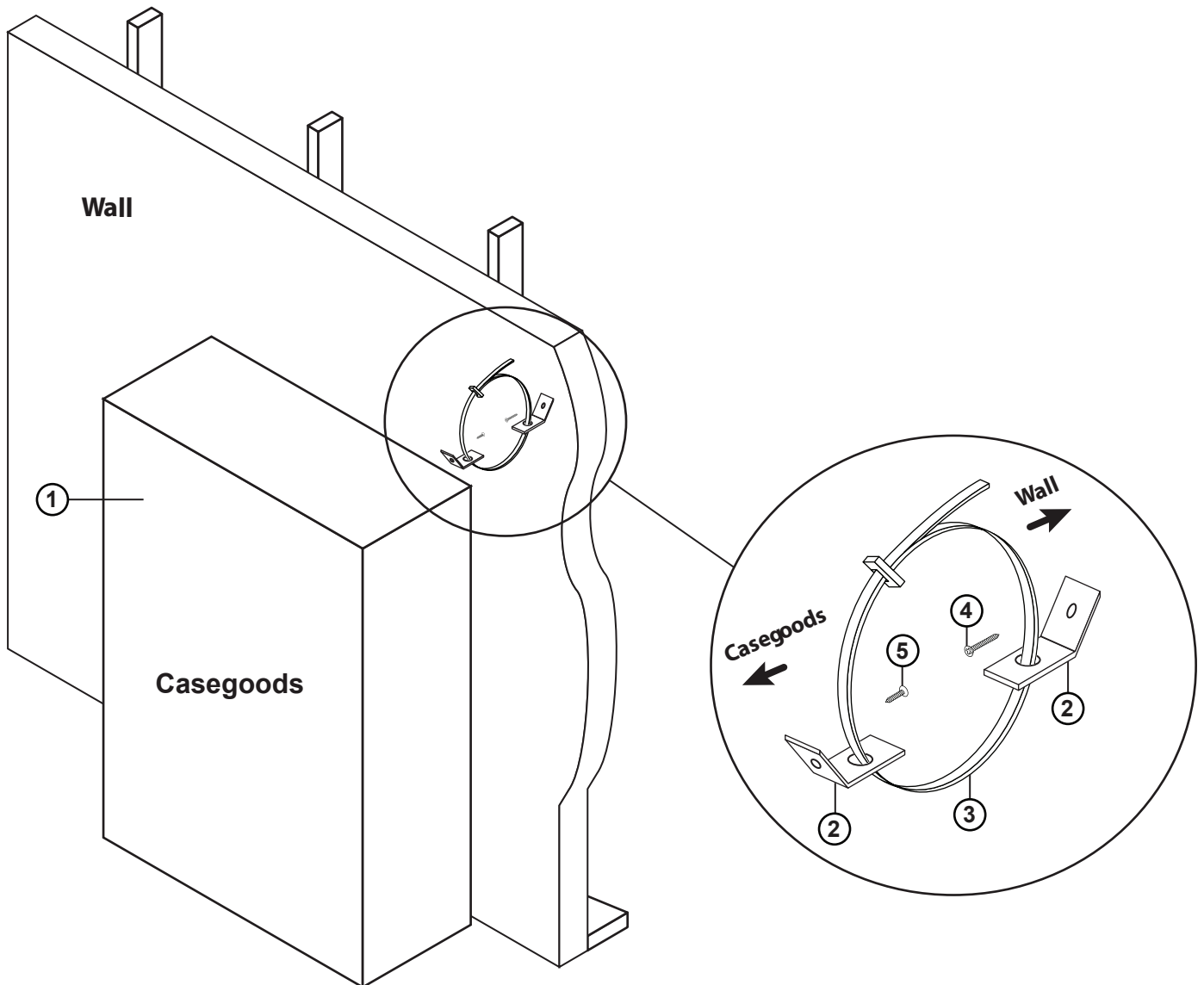
ANTI-TIPPING INSTALLATION

Thank you for purchasing the quality product. Be sure to check all packing material carefully for small parts which may have come loose inside the carton during shipment. Separate, identify and count all parts and metal hardware. Compare with all parts list to be sure all parts are present. If any part (s) are missing or damaged, please contact your local furniture dealer. For efficient and speedy service, please indicate the model number and code letter of part (s) needed.

*****Do not fully tighten bolts and screws until fully assembled*****

PART LIST :

PART#	DESCRIPTION	QTY
1	Casegoods	1
2	Bracket	2
3	Strap	1
4	Long Screws 50mm	1
5	Short Screws 15mm	1



Attention:

*** Some number parts listed on the instruction sheet may not be in parts bag as they may already be assembled. Carefully check parts and packing materials prior to ordering replacements.